

# NETWORK CAMERA

User Manual

TNU-6321



# Network Camera

## User Manual

---

### Copyright

©2020 Hanwha Vision Co., Ltd. All rights reserved.

### Trademark

Each of trademarks herein is registered. The name of this product and other trademarks mentioned in this manual are the registered trademark of their respective company.

### Restriction

Copyright of this document is reserved. Under no circumstances, this document shall be reproduced, distributed or changed, partially or wholly, without formal authorization.

### Disclaimer

Hanwha Vision makes the best to verify the integrity and correctness of the contents in this document, but no formal guarantee shall be provided. Use of this document and the subsequent results shall be entirely on the user's own responsibility. Hanwha Vision reserves the right to change the contents of this document without prior notice.

❖ Design and specifications are subject to change without prior notice.

❖ The initial administrator ID is "admin" and the password should be set when logging in for the first time.

Please change your password every three months to safely protect personal information and to prevent the damage of the information theft.

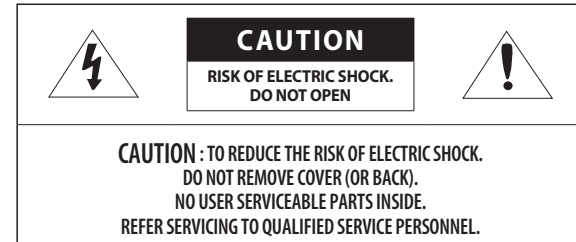
Please, take note that it's a user's responsibility for the security and any other problems caused by mismanaging a password.

## IMPORTANT SAFETY INSTRUCTIONS

1. Before installation, read all manuals thoroughly and proceed with the installation according to the directions.
2. When connecting a power cable or signal line, check the external connection port first. Incorrectly connecting the power supply may cause fire, electric shock or damage to the product.
3. If you notice any unusual smells or smoke coming from the unit, stop using the product. If this occurs, immediately disconnect the power source and contact the service center. Continued use may cause fire or electrical shock.
4. Do not disassemble while the power is on.
5. Before the power is supplied, confirm that all power cords have been properly connected. An insecure connection may result in fire.
6. If the system has been in a high or low temperature environment, you may be injured by high heat or low chill of the surface.
7. Before turning the power on, confirm that the power supply supports 24Vac/6A 50/60Hz. Power in excess of the rated voltage may cause a fire.
8. Lightning or thunder may cause damage to the device. When installing the product, consider taking measures that will minimize damage to the product in the event of lightning.
9. When the system is installed, it should be tightly anchored on a floor that can sufficiently sustain its weight against any strong wind. The fixing method and material used must be able to sustain at least 4 times the system's weight.
10. Since the system is remotely controlled and sometimes changes its position, it should be so carefully installed that it does not create any harmful environment, i.e., its moving part does not injure people.
11. Do not attach anything to the system.
12. When installing in a dangerous environment, remove the equipment from the power supply to reduce the possibility of ignition.
13. Do not install near a heater or motor. Install the system in a place with good ventilation.

14. You can receive installation support from engineers who are qualified to handle technical services.
15. Do not install the product in a location that is humid, or where the product will be exposed to dust or soot.
16. Do not drop objects on the product, or apply strong impact to it. Keep away from locations where there is excessive vibration or magnetic interference.
17. Do not install in an operating environment with extreme temperatures. The camera will operate at temperatures of -40°C or higher.
18. Keep out of direct sunlight, and away from heat radiation sources.
19. If you want to relocate a product that has already been installed, be sure to turn off the power and then move or reinstall it. Failure to turn off the power may result in fire or electric shock.
20. Install the product in a location with good ventilation. When connecting a power cable or signal line, check the external connection port first.
21. The rubber part of the camera wiper is expendable. Replace with a new one if performance is degraded.
22. Before cleaning the system, disconnect it from the power supply.

## CAUTION



In particular installation environments, there might be interference in radio communications. When interference of electromagnetic waves occurs between the product and radio communication device, it is recommended to keep a certain distance between the two or change the direction of the receiving antenna.

## CONTENTS

---

<b>OVERVIEW</b>	<b>3</b>	Important Safety Instructions
	5	Recommended PC Specifications
	5	Recommended Micro SD/SDHC/SDXC Memory Card Specifications
	5	NAS recommended specs
	6	What's Included
	7	At a Glance

3

## INSTALLATION & CONNECTION

<b>8</b>	Installation
<b>10</b>	Connecting with other Device

8

## NETWORK CONNECTION AND SETUP

<b>13</b>	Connecting the Camera Directly to Local Area Networking
<b>13</b>	Connecting the Camera Directly to a DHCP Based DSL/Cable Modem
<b>14</b>	Using Device Manager
<b>14</b>	Automatically searching camera
<b>14</b>	Configuring IP address
<b>15</b>	Manually registering camera
<b>15</b>	Automatically configuring IP
<b>16</b>	Port Range Forward (Port Mapping) Setup
<b>17</b>	Connecting to the Camera from a Shared Local PC
<b>17</b>	Connecting to the Camera from a Remote PC via the Internet

13

<b>WEB VIEWER</b>	<b>18</b>	Connecting to the Camera
	<b>19</b>	Password setting
	<b>19</b>	Login
	<b>19</b>	Camera Web Viewer Setup

18

<b>APPENDIX</b>	<b>20</b>	Troubleshooting
-----------------	-----------	-----------------

20

## RECOMMENDED PC SPECIFICATIONS

---

- CPU : Intel Core 2 Duo 2.4 GHz or higher (for using 1920x1080 30 fps)  
Intel Core i7 2.8 GHz or higher (for using 1920x1080 60 fps)
  - RAM : 2GB or higher
  - Supported OS : Windows 8 or higher, Mac OS X 10.12 or higher
  - Recommended Browser : Google Chrome
  - Supported Browser : MS Explorer11, MS Edge, Mozilla Firefox(Windows 64bit only), Apple Safari(Mac OS X only)
- ※ Some functions may be restricted even in supported browsers.

## RECOMMENDED MICRO SD/SDHC/SDXC MEMORY CARD SPECIFICATIONS

---

- Recommended capacity 16GB ~ 256GB MLC type required)
- Recommended Manufacturers : SanDisk, Transcend
- Product Type : High endurance
- The compatibility varies depending on the card manufacturers and types.

## NAS RECOMMENDED SPECS


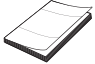


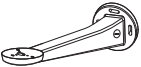



---

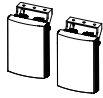

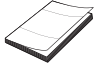


- Recommended capacity : 200GB or higher is recommended.
- For this camera, you are recommended to use a NAS with the following manufacturer's specs.  
Recommended products : QNAP NAS, Synology NAS

# overview

## WHAT'S INCLUDED

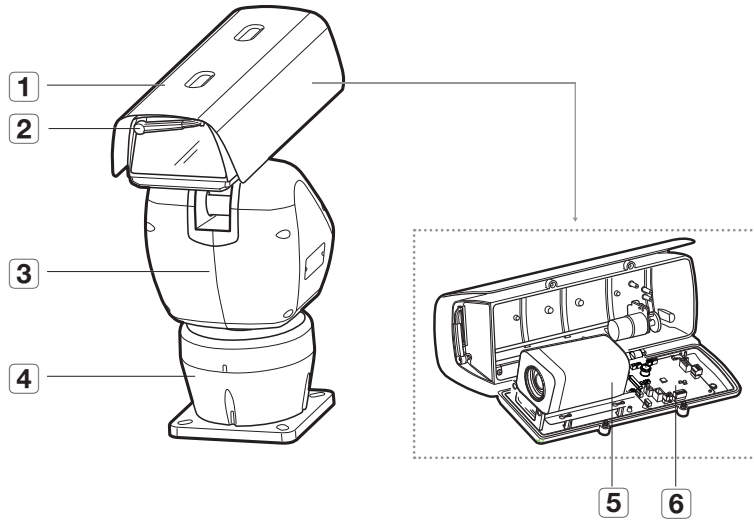
Please check if your camera and accessories are all included in the product package.  
(As for each sales country, accessories are not the same.)

Appearance	Item Name	Quantity	Description
	Camera body	1	-
	Quick Guide (Optional)	1	-
	Hex. L wrench	1	Used when assembling the camera body and bracket
	RJ45 waterproof accessory	1	Used to install in humid places
<b>Wall Mount (not included)</b>			
	Wall Mount	1	Used when installing the camera on a wall
	Wrench bolts(M5 X 20) / flat washers	3/3	for connecting the main body and wall mount
	Screws(M3 x 8)	8	for connecting the cable wiring cover
	O-ring	1	for connecting the main body and wall mount

Appearance	Item Name	Quantity	Description
<b>IR illuminator (not included)</b>			
	IR illuminator body	2	Mounted in the positioning system and used
	Mounting bracket	1	IR illuminator mounting bracket
	Quick Guide (Optional)	1	-
	Hex. L wrench	1	Used when assembling the camera body and bracket
	Wrench bolts (1/4" x 1/2")	9	Used when mounting the bracket to the camera body (3EA) Used when mounting the IR illuminator on the bracket (6EA)

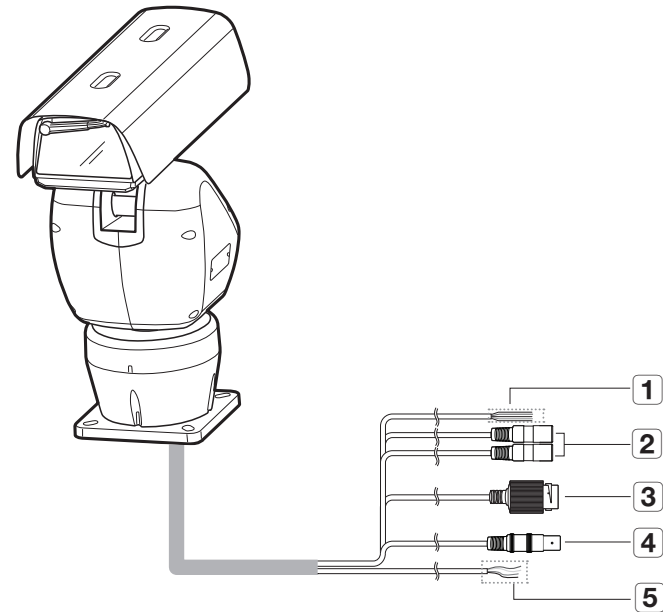
## AT A GLANCE

### Appearance



Item	Description
1	Sunshield
2	Windshield Wiper
3	Main body
4	Base housing
5	Camera
6	Interface board

### Cables



Item	Description
1	Alarm cable Alarm I/O cable. (Black/Brown/Red/Yellow/Orange)
2	Audio cable Audio I/O cable.
3	Network Port Connects the Ethernet cable.
4	Video Output Port Outputs the video.
5	Power cable Cables for the camera power and IR illuminator power. (Black/Green/Brown/Blue)

## INSTALLATION

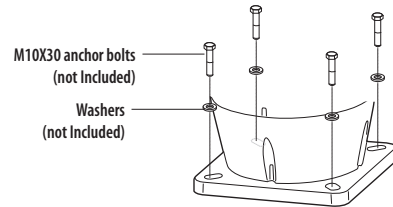
### Precautions before installation

Ensure you read out the following instructions before installing the camera:

- Install the system based on the following directions. If you want to install using a different method, you should confirm the safety recommendations by making a request to the manufacturer in advance.
- The gross weight of the system is 14kg. Be careful when lifting the system, and put on proper anti-slip gloves.
- It must be installed on the area (ceiling or wall) that can withstand 4 times the weight of the camera including the installation bracket.
- Stuck-in or peeled-off cables can cause damage to the product or a fire.
- For safety purposes, keep anyone else away from the installation site. And put aside personal belongings from the site, just in case.
- For stable installation, you must use the provided accessories. If you use any other accessories not provided by us, the features/performance/safety of the product cannot be guaranteed.

### Install the device on the floor

1. Install the pedestal on the floor.



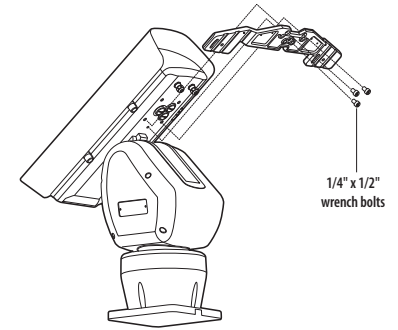
- ! We recommend using M10X30 anchor bolts or better to install the camera on concrete.
- Use screws that can withstand more than four times the weight of the equipment.

### Optional Accessories for Installation

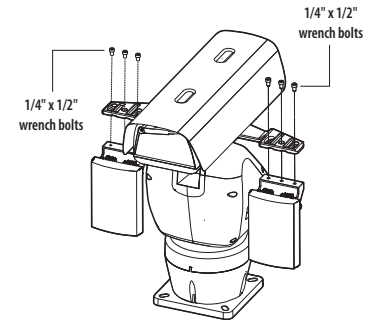
For your easier installation, you can purchase appropriate optional accessories available.

#### ■ Installing the IR illuminator

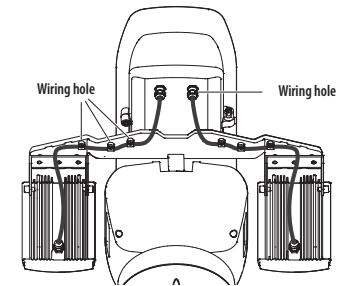
1. Secure the bracket to the camera with the 3 supplied bolts(1/4" x 1/2").



2. Connect the IR illuminator to the fixed bracket, using 3 bolts(1/4" x 1/2") as shown.

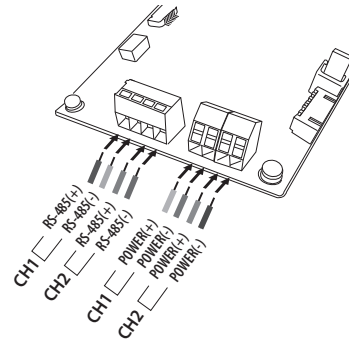


3. Insert the IR illuminator cable into the housing through the wiring hole in the bracket and the hole in the back of the housing.

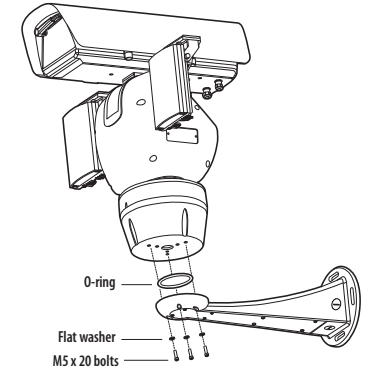




4. Connect the power cable and RS-485 cable of the IR illuminator to the board in the housing.

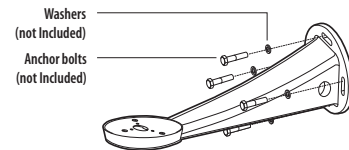


2. Assemble the main body and bracket using 3 Wrench bolts.

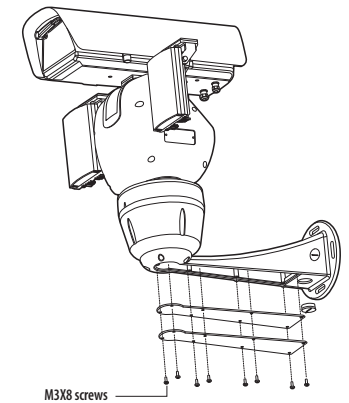


#### ■ Mounting on wall using bracket

1. Connect the side of the bracket to the wall using 4 anchor bolts (not Included).



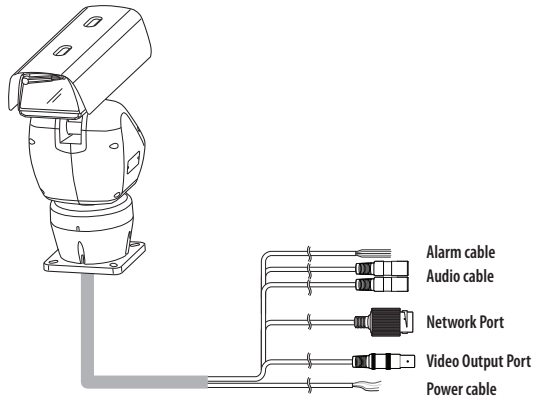
3. After organizing the cables as shown, assemble the cover.



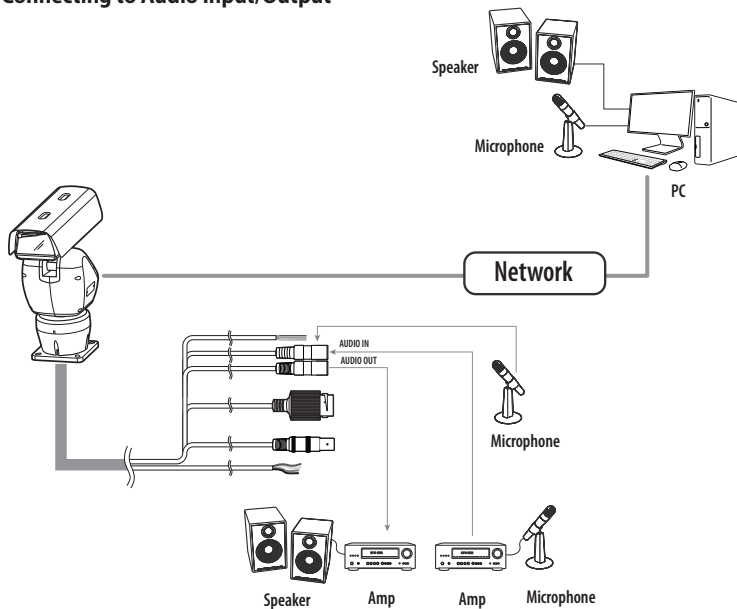
- ! We recommend using M10X30 anchor bolts or better to install the camera on concrete.
- Use screws that can withstand more than four times the weight of the equipment.

# installation & connection

## CONNECTING WITH OTHER DEVICE



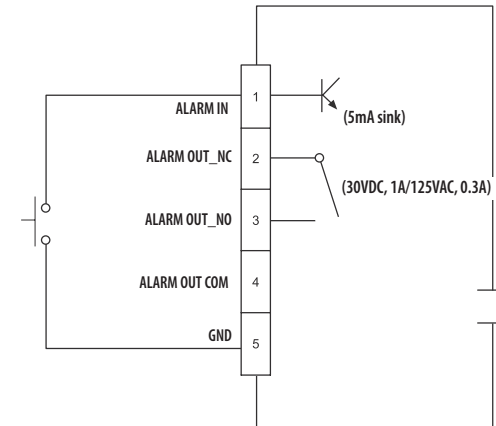
### Connecting to Audio Input/Output



1. Connect the AUDIO IN port of the camera with the microphone directly or LINE OUT port of the amplifier that the microphone is connected to.
2. Connect the AUDIO OUT port of the camera with the LINE IN port of the speaker.
3. Check the specifications for audio input.

- **Audio Codec** : G.711 PCM,  $\mu$ -law 64kbps 8kHz sampling
- **Full duplex Audio**
- **Audio in** : Used for mono signal line input (Max.2.4 Vpp)
- **Audio out** : Used for mono signal line output (Max.2.4 Vpp)
- **Line out impedance** :  $600\Omega$

### Alarm I/O Wiring Diagram



## How to connect external cables

Connect external cables by referring the table below.

- ! ■ Connect alarm input/output cables for each terminals one by one.

Label print	COLOR	Description	Remarks
ALARM_IN	Black	Terminal for connecting external alarm input signal	
GND	Brown	Common terminal (GND) for connecting external alarm input signal	
ALARM OUT NO	Red	Terminal (NO) for connecting the Relay output signal	
ALARM OUT COM	Yellow	Terminal (GND) for connecting the Relay output signal	
ALARM OUT NC	Orange	Terminal (NC) for connecting the Relay output signal	

## Ethernet Connection

Connect the Ethernet cable to the local network or to the Internet.

## Power Supply

Connect the line of the power adapter to the power input terminal of the camera.

Item	COLOR
IR illuminator power	BLACK
	GREEN
Main power	BROWN
	BLUE

- ! ■ Be sure to connect the AC24V power supply (non-polar) while the power is shut off.

## Network Cable Specification

Item	Contents	Remark
Connector	RJ45	
Ethernet Cable	10/100Base-T UTP Category 5e	10/100 Mbps
Max Distance	100M	

## Power Cable Specification

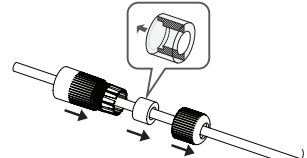
In case of AC24V Input:

Wire Type (AWG)	#16	#14
Cable Length (Max.)	15 m	24 m

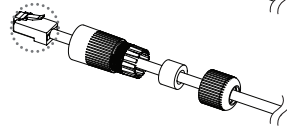
# installation & connection

## How to connect the RJ45 waterproof cable to a LAN cable

1. Insert it through the arrow direction.

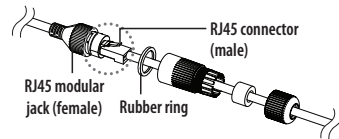


2. Connect the LAN connector (male) to the cable.

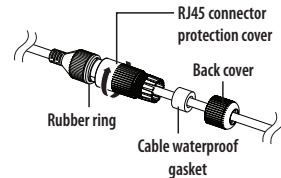


3. Connect the RJ45 modular jack (female) to the RJ45 connector (male).

! Please, keep each of the parts separated.

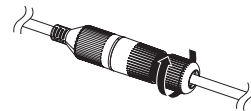


4. Assemble by rotating the RJ45 modular jack (female) and the RJ45 protection cover clockwise (Follow the arrow).



5. Assemble by rotating RJ45 protection cover and back cover clockwise (Follow the arrow).  
When the back cover is assembled, the cable waterproof gasket is tightly attached to the cable to make it waterproof.

! You must fully assemble it to rotate the back cover up to the end of the screw thread of the RJ45 connector.



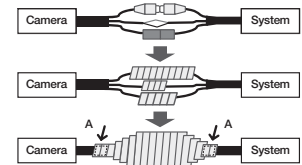
## Outdoor installation

When you install it outside of the building, please waterproof it with waterproof butyl rubber tape (can be purchased in stores) so that water does not leak from the gap of the cable connected to the outside.

1. Connect the power, I/O, AUDIO, and LAN cables.

2. Wrap the black cable jacket (Area A) and the cable connection area with waterproof (butyl rubber) tape so that more than half of the butyl rubber tape is overlapped.

- ! If the cable jacket is not waterproofed properly, then it can directly cause leakage. Make sure to protect the cable with a dense layer of taping.
- Waterproof butyl tape is made of butyl rubber that can be stretched to twice its normal length.



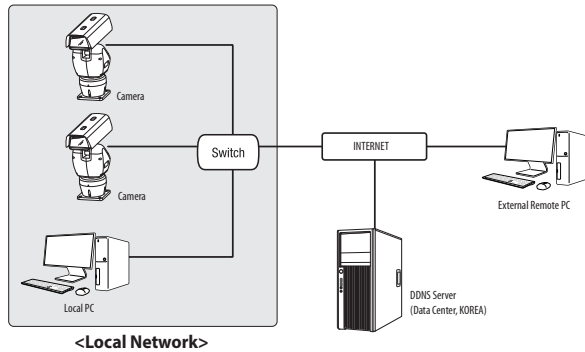
# network connection and setup

You can set up the network settings according to your network configurations.

## CONNECTING THE CAMERA DIRECTLY TO LOCAL AREA NETWORKING

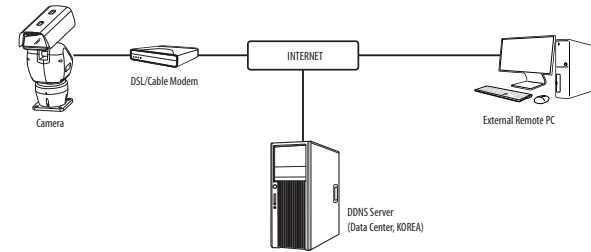
### Connecting to the camera from a local PC in the LAN

1. Launch an Internet browser on the local PC.
2. Enter the IP address of the camera in the address bar of the browser.



- A remote PC in an external Internet out of the LAN network may not be able to connect to the camera installed in the intranet if the port-forwarding is not properly set or a firewall is set. In this case, to resolve the problem, contact your network administrator.
- By factory default, the IP address will be assigned from the DHCP server automatically. If there is no DHCP server available, the IP address will be set to 192.168.1.100. To change the IP address, use the Device Manager. For further details on Device Manager use, refer to "Using Device Manager". (Page 14)

## CONNECTING THE CAMERA DIRECTLY TO A DHCP BASED DSL/CABLE MODEM



1. Connect the user PC directly with the network camera.
2. Run the Device Manager and change the IP address of the camera so that you can use the web browser on your desktop to connect to the camera.
3. Use the Internet browser to connect to the web viewer.
4. Move to **[Setup]** page.
5. Move to **[Network] – [DDNS]** and configure the DDNS settings.
6. Move to **[Basic] – [IP & Port]**, and set the IP type to **[DHCP]**.
7. Connect the camera, which was removed from your PC, directly to the modem.
8. Restart the camera.

- For information on how to set DDNS, refer to the online help of Web Viewer.
- For information on how to set the IP format, refer to the online help of Web Viewer.

# network connection and setup

## USING DEVICE MANAGER

- Device manager program can be downloaded from <Support>-<Online Tools> menu at Hanwha Vision website (<https://www.HanwhaVision.com>).
- More instructions of Device Manager can be found at <Help> menu of the main page.

## AUTOMATICALLY SEARCHING CAMERA

If a camera is connected to the same network of the PC where device manager is installed, you can find network camera by using search function.

- Click <Search> at the main page of device manager.
- Check the camera from the list.
  - Check MAC address at the sticker attached to the camera.

## CONFIGURING IP ADDRESS

If you want to change camera network setting, <Login OK> sign must be displayed at <Status>. Click <Authentication> at the main page to log in.

### Configuring Static IP

Manually insert and configure IP address & port information.

- Click the camera from the list that you want the change the IP setting.
- Click <IP Assign> at the main page of device manager.
- Select <Assign the following IP address>.
  - IP information of the camera will be displayed as previously set.
- Fill in IP & Port related categories.

IP Assign - Single device

Obtain an IP Address automatically (DHCP)    MAC Address: 00001E5E0002

Assign the following IP address

IP Address: 192.168.0.31    HTTP Port: 80

Subnet Mask: 255.255.255.0    VMP Port: 4550

Gateway: 192.168.0.1    RTSP Port: 554

DNS1: 192.168.43.1

DNS2: 192.168.43.2

Apply    Close

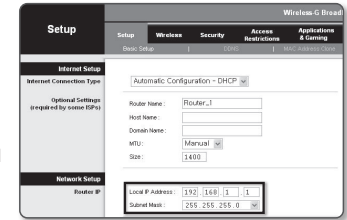
### If not using a Broadband Router

For setting <IP Address>, <Subnet Mask>, and <Gateway>, contact your network administrator.

- HTTP Port : Used to access the camera using the Internet browser, defaulted to 80.
- RTSP Port : A port that controls real-time streaming. The initial value is 554.

### If using a Broadband Router

- IP Address : Enter an address falling in the IP range provided by the Broadband Router.  
ex) 192.168.1.2~254, 192.168.0.2~254, 192.168.XXX.2~254
- Subnet Mask : The <Subnet Mask> of the Broadband Router will be the <Subnet Mask> of the camera.
- Gateway : The <Local IP Address> of the Broadband Router will be the <Gateway> of the camera.



- The settings may differ depending on the connected Broadband Router model. For more information, refer to the user manual of the applicable router.
- For more information about port forwarding of the broadband router, refer to "Port Range Forward (Port Mapping) Setup" (Page 16)

### If the Broadband Router has more than one camera connected

Configure the IP related settings and the Port related settings distinctly with each other.

ex)

	Category	Camera #1	Camera #2
IP related settings	IP Address	192.168.1.100	192.168.1.101
	Subnet Mask	255.255.255.0	255.255.255.0
	Gateway	192.168.1.1	192.168.1.1
Port related settings	HTTP Port	8080	8081
	RTSP Port	554	555

- If the <HTTP Port> is set other than 80, you must provide the <Port> number in the address bar of the Internet browser before you can access the camera.  
ex) `http://IP address : HTTP Port`  
`http://192.168.1.100:8080`

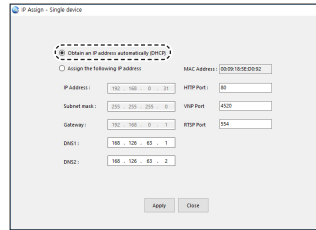
- Click [Apply] Button.
- If the success message is displayed, click [OK].

## Configuring Dynamic IP

Receive IP address from DHCP

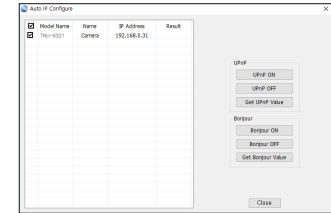
- Example of the Dynamic IP environment
  - If a Broadband Router, with cameras connected, is assigned an IP address by the DHCP server
  - If connecting the camera directly to modem using the DHCP protocols
  - If IPs are assigned by the internal DHCP server via the LAN

1. Click the camera from the list that you want to change the IP setting.
2. Click **<IP Assign>** at the main page of device manager.
3. Select **<Obtain an IP address automatically (DHCP)>**.
4. Click **[Apply]** button.
5. If the success message is displayed, click **[OK]**.



## AUTOMATICALLY CONFIGURING IP

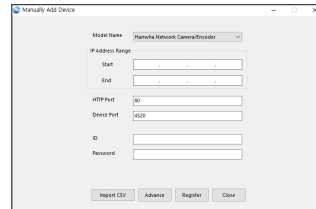
1. Click the camera from the list that you want to automatically configure the IP.
2. Click **<+>** at the main page of device manager.
  - Equipment Setting menu appears.
3. At the menu, click **<Auto IP Configure>**.
4. Click **[Close]** button.



## MANUALLY REGISTERING CAMERA

If the camera cannot be found using search function, the camera can be registered remotely by manually inserting IP information, if the camera is connected to external network.

1. Click **<Add Devices>** - **<Manually Add Device>** at the main page of device manager.
2. Insert the range of IP address that you search.
3. Select the **<Model Name>** of the camera that you register, and insert HTTP port, ID, and password.
4. Click **[Register]** button.
5. Check if camera is registered.
  - Check MAC address at the sticker attached to the camera.



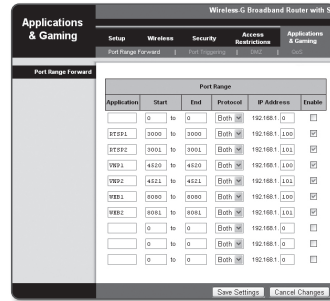
# network connection and setup

## PORT RANGE FORWARD (PORT MAPPING) SETUP

If you have installed a Broadband Router with a camera connected, you must set the port range forwarding on the Broadband Router so that a remote PC can access the camera in it.

### Manual Port Range Forwarding

1. From the Setup menu of the Broadband Router, select **<Applications & Gaming>** - **<Port Range Forward>**.  
For setting the port range forward for a third-party Broadband Router, refer to the user guide of that Broadband Router.
2. Select **<TCP>** and **<UDP Port>** for each connected camera to the Broadband Router.  
The number of each port to be configured to the IP router should be set according to the port number designated in **<Setup>** - **<Basic>** - **<IP & Port>** on the camera web viewer.
3. When done, click **[Save Settings]**.  
Your settings will be saved.

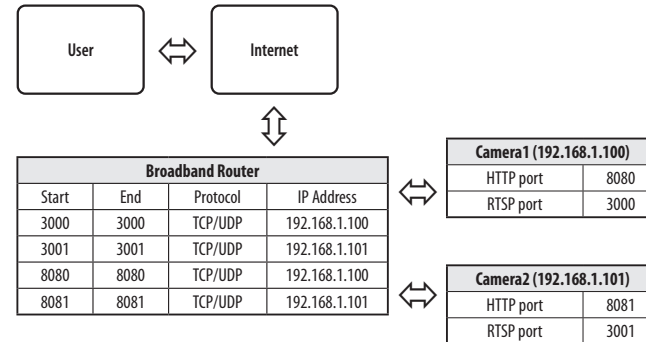


- Port forwarding setting is an example of setting CISCO IP router.
- The settings may differ depending on the connected Broadband Router model.  
For more information, refer to the user manual of the applicable router.

### Setting up Port Range Forward for several network cameras

- You can set a rule of Port Forwarding on the Broadband Router device through its configuration web page.
- A user can change each port using the camera setting screen.

When Camera1 and Camera2 are connected to a router :



- Port forwarding can be done without additional router setup if the router supports the UPnP (Universal Plug and Play) function.  
After connecting the network camera, select the checkbox from the menu **<Quick connect>** in **<DDNS>** in **"Settings -> Network -> DDNS"**.



## CONNECTING TO THE CAMERA FROM A SHARED LOCAL PC

---

1. Run device manager.  
It will scan for connected cameras and display them as a list.
2. Double-click a camera to access.  
The Internet browser starts and connects to the camera.



■ Access to the camera can also be gained by typing the camera's IP address in the address bar of the Internet browser.

## CONNECTING TO THE CAMERA FROM A REMOTE PC VIA THE INTERNET

---

On a remote computer that is not in the Broadband Router's network cluster is not allowed, users can access cameras within a Broadband Router's network by using the camera's DDNS URL.

1. Before you can access a camera in the Broadband Router network, you should have set the port range forward for the Broadband Router.
2. From the remote PC, launch the Internet browser and type the DDNS URL address of the camera, or the IP address of the Broadband Router in the address bar.  
ex) <http://ddns.hanwha-security.com/ID>



■ To use DDNS, sign up at the DDNS homepage (<http://ddns.hanwha-security.com>) and register the product at **[My DDNS]> [Register Product]**.

## CONNECTING TO THE CAMERA

### Normally, you would


1. Launch the Internet browser.
2. Type the IP address of the camera in the address bar.
  - ex) • IP address (IPv4) : 192.168.1.100 → http://192.168.1.100
  - the Login dialog should appear.
  - IP address (IPv6) : 2001:230:abcd:ffff:0000:0000:ffff:1111
  - http://[2001:230:abcd:ffff:0000:0000:ffff:1111] - the Login dialog should appear.

### If the HTTP port is other than 80

1. Launch the Internet browser.
2. Type the IP address and HTTP port number of the camera in the address bar.
  - ex) IP address : 192.168.1.100:HTTP Port number(8080)
  - http://192.168.1.100:8080 - the Login dialog should appear.

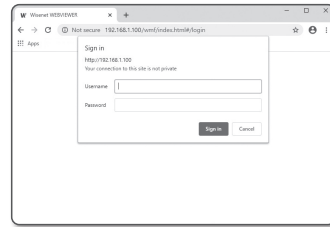
### Using URL

1. Launch the Internet browser.
2. Type the DDNS URL of the camera in the address bar.
  - ex) URL address : https://ddns.hanwha-security.com/Product ID
  - the Login dialog should appear.

 Network connection is disabled in the LAN only environment.

### Connecting via UPnP

1. Run the client or operating system in support of the UPnP protocol.
2. Click the camera name for search.
  - In the Windows operating system, click the camera name searched from the network menu.
  - The login window is displayed.



### Connecting via Bonjour

1. Run the client or operating system in support of the Bonjour protocol.
2. Click the camera name for search.
  - In the Mac operating system, click the camera name searched from the Bonjour tab of Safari.
  - The login window is displayed.

### To check the DDNS address

If the camera is connected directly to a DHCP-based cable modem or DSL modem, the IP address will change each time it tries to connect to the ISP (the company you subscribed to). If this is the case, you will not be informed of the IP address changed by DDNS.

Once you register a dynamic IP-based device with the DDNS server, you can easily check the changed IP when you try to access the device.

To register your device to the <DDNS> server, visit <https://ddns.hanwha-security.com> and register your device first, and then set the Web Viewer's <Network> - <DDNS> to <DDNS>, as well as providing <Product ID> that had been used for DDNS registration.

## PASSWORD SETTING

When you access the product for the first time, you must register the login password.



- For a new password with 8 to 9 digits, you must use at least 3 of the following: uppercase/lowercase letters, numbers and special characters. For a password with 10 to 15 digits, you must use at least 2 types of those mentioned.
  - Special characters that are allowed: ~`!@#\$%^&\*()\_-=+{[]}.?/
- For higher security, you are not recommended to repeat the same characters or consecutive keyboard inputs for your passwords.
- If you lost your password, you can press the [RESET] button to initialize the product. So, don't lose your password by using a memo pad or memorizing it.

## LOGIN

Whenever you access the camera, the login window appears. Enter the User ID and password to access the camera.

- Enter **admin** in the **<User name>** input box. The administrator ID, **admin**, is fixed and can not be changed.
- Enter the password in the **<Password>** input field.
- Click **[Sign in]**.  
If you have logged in successfully, you will the Live Viewer screen.



- When you access the camera web viewer, pay special attention to the security by checking whether the image data is encrypted.
- You will experience the best video quality if the screen size is 100%. Reducing the ratio may cut the image on the borders.

## CAMERA WEB VIEWER SETUP

- Click the **[Setup (⚙️)]** icon.
- The Settings window appears.
- You can configure settings for the camera's basic information, video, audio, network, event, analysis, and system over the network.
- Click **<Help (🔍)>** to view detailed descriptions of each function.

## TROUBLESHOOTING

PROBLEM	SOLUTION
When an Windows 10 user accesses the web viewer through Chrome or Firefox, the sound volume of microphone changes periodically.	<ul style="list-style-type: none"> <li>This is what happens when microphone driver has been set to Realtek driver. Install the High Definition Audio device (Windows Default Driver) or the third party driver as the microphone driver.</li> </ul>
No video is displayed when accessing the plug-in free webviewer on Safari via HTTPS.	<ul style="list-style-type: none"> <li>On the authentication popup window prompted when initially accessing https, click "View Authentication Certificate" and select the "Always trust when connecting to the designated webviewer IP" check box.</li> <li>If the webviewer continues failing to display a video after you select "Next" on the message window below, press the command key + Q to exit the Safari browser, access again and follow the procedures stated above.</li> </ul>
I can't access the camera from a web browser.	<ul style="list-style-type: none"> <li>Check to make sure that the camera's Network settings are appropriate.</li> <li>Check to make sure that all network cables have been connected properly.</li> <li>If connected using DHCP, verify that the camera is able to acquire dynamic IP addresses without any problem.</li> <li>If the camera is connected to a Broadband Router, verify that port forwarding is properly configured.</li> </ul>
Viewer got disconnected during monitoring.	<ul style="list-style-type: none"> <li>Connected Viewers become disconnected upon any change to camera or network configurations.</li> <li>Check all network connections.</li> </ul>
The camera connected to the network is not detected in the Device Manager program.	<ul style="list-style-type: none"> <li>Turn off the firewall settings on your PC and then search the camera again.</li> </ul>
Images overlap.	<ul style="list-style-type: none"> <li>Check whether two or more cameras are set to a single multicast address instead of different addresses. If a single address is used for multiple cameras, the images may overlap.</li> </ul>
No image appears.	<ul style="list-style-type: none"> <li>If the transmission method is set to multicast, check whether there is a router that supports multicast in the LAN the camera is connected to.</li> </ul>

PROBLEM	SOLUTION
Voice is not recorded even though audio input settings are configured.	<ul style="list-style-type: none"> <li>You must enable the &lt;Audio In&gt; check box in &lt;Basic&gt; - &lt;Video Profile&gt;.</li> </ul>
<Motion detection> of <Analytics> is set to <Enable>, but no notification e-mail reaches me even when an analysis event had occurred.	<ul style="list-style-type: none"> <li>Verify the settings in the following sequence:               <ol style="list-style-type: none"> <li>Check &lt;Data &amp; Time&gt; settings.</li> <li>The &lt;Motion detection&gt; should be set to &lt;Enable&gt;.</li> <li>Check if the &lt;E-mail&gt; option of &lt;Event setup&gt; menu is checked to use.</li> </ol> </li> </ul>
No signal is found at the Alarm Output port even when an intelligent video analysis event is generated.	<ul style="list-style-type: none"> <li>Check alarm output port settings.</li> </ul>
Cannot record into the Micro SD memory card.	<ul style="list-style-type: none"> <li>Check if the memory card is defective.</li> <li>When replacing the Micro SD card, it must be done while the power is disconnected from the product.</li> </ul>
Micro SD memory card is inserted but the camera does not operate properly.	<ul style="list-style-type: none"> <li>Check if the memory card is inserted in the proper direction. Operation of memory card that is formatted by other devices is not guaranteed with this camera unit</li> <li>Format the memory card again in &lt;Setup&gt; → &lt;Event&gt; → &lt;Storage&gt; menu.</li> </ul>
Cannot record in the NAS.	<ul style="list-style-type: none"> <li>Confirm that the information registered in the NAS is correct.</li> </ul>
It reports that NAS setting has failed.	<ul style="list-style-type: none"> <li>Confirm that the IP address of the NAS is valid.</li> <li>Confirm that the ID/password of the NAS is valid.</li> <li>Confirm that you can access the folder designated as the default folder using the ID of the NAS.</li> <li>Confirm that the NAS SMB/CIFS items are unchecked.</li> <li>Confirm that the NAS IP address and the camera IP address are in the same format.               <p>ex) The NAS &amp; camera subnet mask initial value is 255.255.255.0.</p> <p>If the IP address is 192.168.20.32 then the NAS IP address should be in the range of 192.168.20.1~192.168.20.255.</p> </li> <li>Check whether you tried to access as another user without formatting the default folder saved or used.</li> <li>Confirm that you used recommended NAS equipment.</li> </ul>



Any changes or modifications in construction of this device which are not expressly approved by the party responsible for compliance could void the user's authority to operate the equipment.

This device complies with part 15 of the FCC Rules. Operation is subject to the following two conditions: (1) This device may not cause harmful interference, and (2) this device must accept any interference received, including interference that may cause undesired operation.

This equipment has been tested and found to comply with the limits for a Class A digital device, pursuant to part 15 of the FCC Rules. These limits are designed to provide reasonable protection against harmful interference when the equipment is operated in a commercial environment. This equipment generates, uses, and can radiate radio frequency energy and, if not installed and used in accordance with the instruction manual, may cause harmful interference to radio communications. Operation of this equipment in a residential area is likely to cause harmful interference in which case the user will be required to correct the interference at his own expense.



Hanwha Vision cares for the environment at all product manufacturing stages, and is taking measures to provide customers with more environmentally friendly products. The Eco mark represents Hanwha Vision's devotion to creating environmentally friendly products, and indicates that the product satisfies the EU RoHS Directive.



#### **Correct Disposal of This Product (Waste Electrical & Electronic Equipment)**

(Applicable in the European Union and other European countries with separate collection systems)

This marking on the product, accessories or literature indicates that the product and its electronic accessories (e.g. charger, headset, USB cable) should not be disposed of with other household waste at the end of their working life. To prevent possible harm to the environment or human health from uncontrolled waste disposal, please separate these items from other types of waste and recycle them responsibly to promote the sustainable reuse of material resources.

Household users should contact either the retailer where they purchased this product, or their local government office, for details of where and how they can take these items for environmentally safe recycling.

Business users should contact their supplier and check the terms and conditions of the purchase contract. This product and its electronic accessories should not be mixed with other commercial wastes for disposal.



#### **Correct disposal of batteries in this product**

(Applicable in the European Union and other European countries with separate battery return systems.)

This marking on the battery, manual or packaging indicates that the batteries in this product should not be disposed of with other household waste at the end of their working life. Where marked, the chemical symbols Hg, Cd or Pb indicate that the battery contains mercury, cadmium or lead above the reference levels in EC Directive 2006/66. If batteries are not properly disposed of, these substances can cause harm to human health or the environment.

To protect natural resources and to promote material reuse, please separate batteries from other types of waste and recycle them through your local, free battery return system.

