

XNV-8083R

6MP AI IR Vandal Dome Camera

Network



FC |  | CE | EAC

Key Features

- 6MP resolution
- 4.4~9.3mm (2.1x) motorized varifocal
- Color: 0.04 Lux (F1.3, 1/30sec, 30IRE), 0 Lux (IR LED on)
- Maximum 30 fps (H.265/H.264)
- WiselR: IR viewable length 50m (164.04 ft)
- Day & Night (ICR), extremeWDR (120 dB)
- Hard-coated dome bubble
- WiseNR II (Based on AI engine), WiseStreamIII (Based on AI engine)
- Analytics events based on AI engine (NPU) : Object detection (Person/Face/Vehicle - car, truck, bus, bicycle, motorcycle/License plate),
IVA (Virtual line/Area, Enter/Exit, Loitering, Direction, Intrusion)
- Analytics events : Defocus detection, Motion detection, Tampering, Fog detection
Audio detection, Sound classification, Shock detection, Appear/Disappear
- IP66/IP67/IP6K9K, NEMA4X, IK10+

Compatible Accessories (Optional)



SBP-187HMW

| Video | |
|-----------------------------|--|
| Imaging Device | 1/1.8" progressive CMOS |
| Resolution | 3328x1872, 3072x1728, 2592x1944, 2688x1520, 1920x1080, 1600x1200, 1280x1024, 1280x960, 1280x720, 1024x768, 800x600, 800x448, 720x576, 720x480, 640x480, 640x360, 320x240 |
| Max. Framerate | H.265/H.264: Max. 30fps/25fps(60Hz/50Hz) MJPEG: Max. 15fps/12fps(60Hz/50Hz) |
| Min. Illumination | Color: 0.04Lux(F1.3, 1/30sec, 30IRE) BW: 0.004Lux(F1.3, 1/30sec, 30IRE), 0Lux(IR LED on) |
| Video Out | CVBS: 1.0 Vp-p / 75Ω composite, 720x480(N), 720x576(P) for installation USB: Micro USB Type B, 1280x720 for installation |
| Lens | |
| Focal Length (Zoom Ratio) | 4.4~9.3mm(2.1x) motorized varifocal |
| Max. Aperture Ratio | F1.3(Wide) ~ F2.15(Tele) |
| Angular Field of View | H : 112.1°(Wide)~47.5°(Tele) V : 58.0°(Wide)~26.6°(Tele) D : 137.5°(Wide)~54.6°(Tele) |
| Min. Object Distance | 0.5m(1.64ft) |
| Focus Control | Simple focus, Manual |
| Lens Type | P-iris(IR corrected) |
| Pan / Tilt / Rotate | |
| Pan / Tilt / Rotate Range | 0°~360° / -45°~85° / 0°~355° |
| Operational | |
| Camera Title | Displayed up to 85 characters |
| Day & Night | Auto(ICR) |
| Backlight Compensation | BLC, HLC, WDR, SSSR |
| Wide Dynamic Range | extremeWDR (120dB) |
| Digital Noise Reduction | WiseNR II (Based on AI engine), SSNR V |
| Digital Image Stabilization | Support(built-in gyro sensor) |
| Defog | Support |
| Motion Detection | 8ea, 8point Polygonal zones |
| Privacy Masking | 32ea, Quadrangle zones - Color : Gray, Green, Red, Blue, Black, White - Mosaic |
| Gain Control | Support |
| White Balance | ATW / Narrow ATW / AWC / Manual / Indoor / Outdoor |
| LDC | Support (Fill/stretch mode) |
| Electronic Shutter Speed | Minimum / Maximum / Anti flicker (2~1/12,000sec) Prefer shutter control(Based on AI engine) |
| Video Rotation | Flip, Mirror, Hallway view(90°/270°) |

| | |
|--|--|
| Analytics | <ul style="list-style-type: none"> - Analytics events based on AI engine : Object detection (Person/Face/Vehicle(car/bus/truck/motorcycle/bicycle)/License plate), IVA (Virtual line/Area, Enter/Exit, Loitering, direction, Appear/Disappear, intrusion) - Analytics events : Defocus detection, Motion detection, Tampering, Fog detection, Audio detection, Sound classification, Shock detection |
| Business Intelligence | Based on AI engine : People counting, Queue management, Heatmap |
| Alarm I/O | 2 configurable I/O ports, DC 12V output(Max. 50mA) |
| Alarm Triggers | Analytics, Network disconnect, Alarm input, App event, Time schedule |
| Alarm Events | When alarm trigger occurred <ul style="list-style-type: none"> - File upload(image) : e-mail/FTP - Notification : e-mail - Recording : SD/SDHC/SDXC or NAS recording at event triggers - Alarm output - Handover(PTZ preset, Send message by HTTP/HTTPS/TCP) - Audio clip playback |
| Audio In | Selectable(mic in/line in) Supply voltage: 2.5VDC(4mA), Input impedance: 2K Ohm |
| Audio Out | Line out, Max.output level: 1Vrms |
| IR Viewable Length | WiselR 50m(164.04ft) |
| Network | |
| Ethernet | Metal shielded RJ-45(10/100/1000BASE-T) |
| Video Compression | H.265/H.264: Main/High, MJPEG |
| Audio Compression | G.711 u-law /G.726 Selectable G.726(ADPCM) 8KHz, G.711 8KHz G.726: 16Kbps, 24Kbps, 32Kbps, 40Kbps AAC-LC: 48Kbps at 16KHz |
| Smart Codec | Manual(5ea area), WiseStream II , WiseStreamIII(Based on AI engine) |
| Bitrate Control | H.264/H.265: CBR or VBR MJPEG: VBR |
| Streaming | Unicast(20 users) / Multicast Multiple streaming(Up to 10 profiles, 3 virtual channel support) |
| Protocol | IPv4, IPv6, TCP/IP, UDP/IP, RTP(UDP), RTP(TCP), RTCP,RTSP, NTP, HTTP, HTTPS, SSL/TLS, DHCP, FTP, SMTP, ICMP, IGMP, SNMPv1/v2c/v3(MIB-2), ARP, DNS, DDNS, QoS, UPnP, Bonjour, LLDP, SRTP (TCP, UDP Unicast) |
| Security | TPM 2.0 (FIPS 140-2 level 2) HTTPS(SSL) Login Authentication Digest Login Authentication IP Address Filtering User access log 802.1X Authentication(EAP-TLS, EAP-LEAP, EAP-PEAP MSCHAPv2) Device Certificate(Hanwha Techwin Root CA, pre-installed) Secure by default certificate Secure OS/Boot/Storage, Verify firmware forgery |
| Application Programming Interface | ONVIF Profile S/G/T SUNAPI(HTTP API) Wisenet open platform |
| General | |
| Webpage Language | English, Korean, Chinese, French, Italian, Spanish, German, Japanese, Russian, Swedish,, Portuguese, Czech, Polish, Turkish, Dutch, Greek, Hungarian |

| | |
|---------------------|---|
| Edge Storage | Micro SD/SDHC/SDXC 2slot Max. 1TB (512GB * 2) |
| Memory | 4GB RAM, 512MB Flash |

Environmental & Electrical

| | |
|---|---|
| Operating Temperature / Humidity | -50°C~+55°C(-58°F ~ +131°F) * Maximum temperature : +60°C (intermittent) NEMA TS-2 : 74°C * Start up should be done at above -30°C less than 95%RH(non-condensing) Humidity control /w GORE vent |
| Storage Temperature / Humidity | -50°C ~ +60°C(-58°F ~ +140°F) / Less than 90% RH |
| Certification | IP66/IP67/IP6K9K, NEMA4X, IK10+ |
| Input Voltage | PoE+(IEEE802.3at, Class4), 12VDC |
| Power Consumption | PoE+: Max 22.5W, typical 17.9W 12VDC: Max 20.0W, typical 15.6W Power redundancy failover |

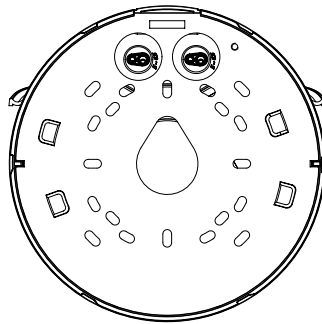
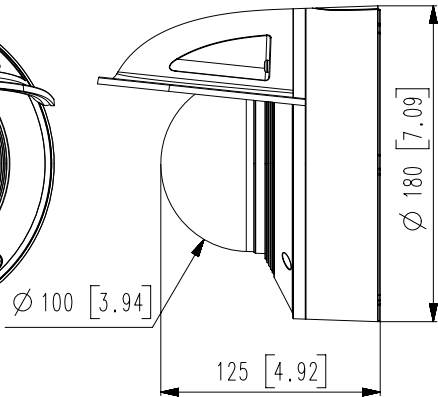
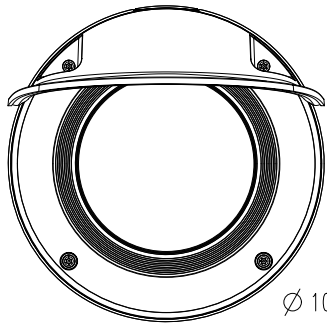
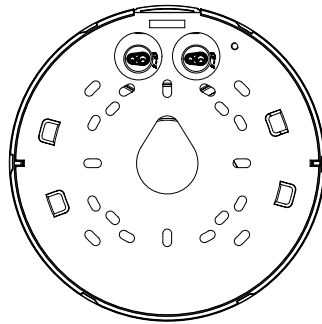
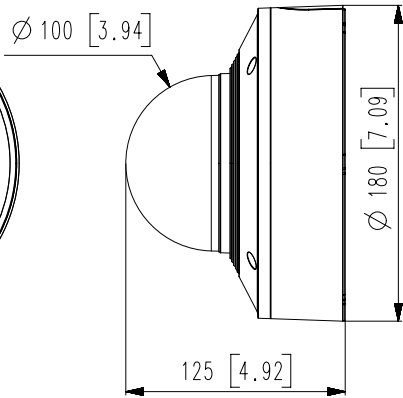
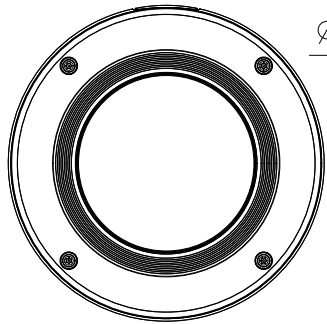
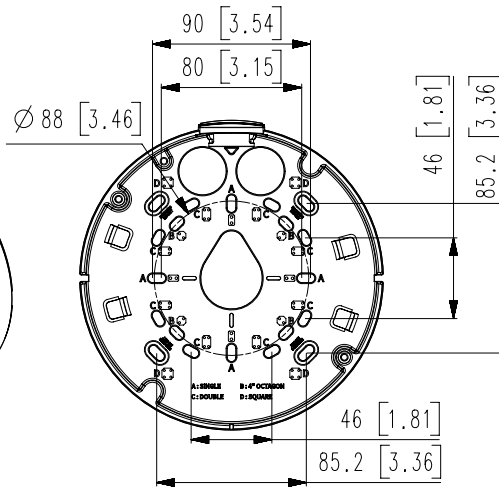
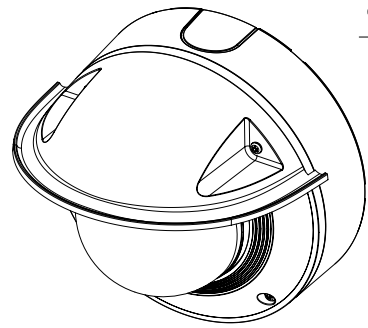
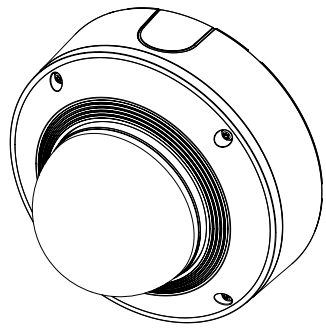
Mechanical

| | |
|------------------------------------|---|
| Color / Material | White / Aluminum Hard-coated dome bubble |
| RAL Code | RAL9003 |
| Product Dimensions / Weight | Ø180x125mm(7.09x4.92"), 1900g(4.19 lb) |

DORI (EN62676-4 standard)

| | |
|----------------------------------|--|
| Detect (25PPM/ 8PPF) | Wide: 44.8m(147.02ft) / Tele: 151.3m(496.29ft) |
| Observe (63PPM/ 19PPF) | Wide: 17.9m(58.81ft) / Tele: 60.5m(198.52ft) |
| Recognize (125PPM/ 38PPF) | Wide: 9.0m(29.4ft) / Tele: 30.3m(99.26ft) |
| Identify (250PPM/ 76PPF) | Wide: 4.5m(14.7ft) / Tele: 15.1m(49.63ft) |

- The latest product information / specification can be found at hanwha-security.com
- Design and specifications are subject to change without notice.
- Wisenet is the proprietary brand of Hanwha Techwin, formerly known as Samsung Techwin.



| | | |
|-----|--------------|----------|
| 17 | XNV-9083R | 21.05.25 |
| 16 | XNV-8093R | 21.05.25 |
| 15 | XNV-8083R | 21.05.25 |
| 14 | XNV-6083R | 21.05.25 |
| 13 | PNV-A6081R | 21.02.08 |
| 12 | PNV-A9081ROP | 20.12.30 |
| 11 | PNV-A9081RLP | 20.12.30 |
| 10 | XNV-9082R | 19.12.18 |
| 9 | XNV-8082R | 19.12.18 |
| 8 | XNV-8081RE | 19.12.18 |
| 7 | XNV-6081RE | 19.12.18 |
| 6 | PNV-A9081R | 19.09.27 |
| 5 | XNV-8081R | 19.09.27 |
| 4 | XNV-6081R | 19.09.27 |
| 3 | XNV-6081 | 19.09.27 |
| 2 | XNV-8081Z | 19.09.27 |
| 1 | XNV-6081Z | 19.09.27 |
| No. | MODEL NAME | DATE |

Unit:mm[inch] SCALE:1/1 Hanwha Techwin