

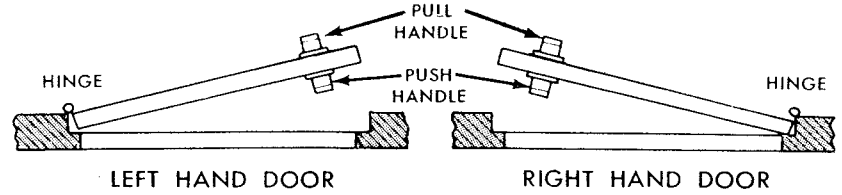
INSTRUCTIONS FOR INSTALLING THE SARGENT 114, 24-114, & 26-114 HOSPITAL LATCH FOR DOORS 1-3/4" TO 2-1/4" THICK

SARGENT
ASSA ABLOY

For installation assistance call SARGENT at 1-800-727-5477 • www.sargentlock.com

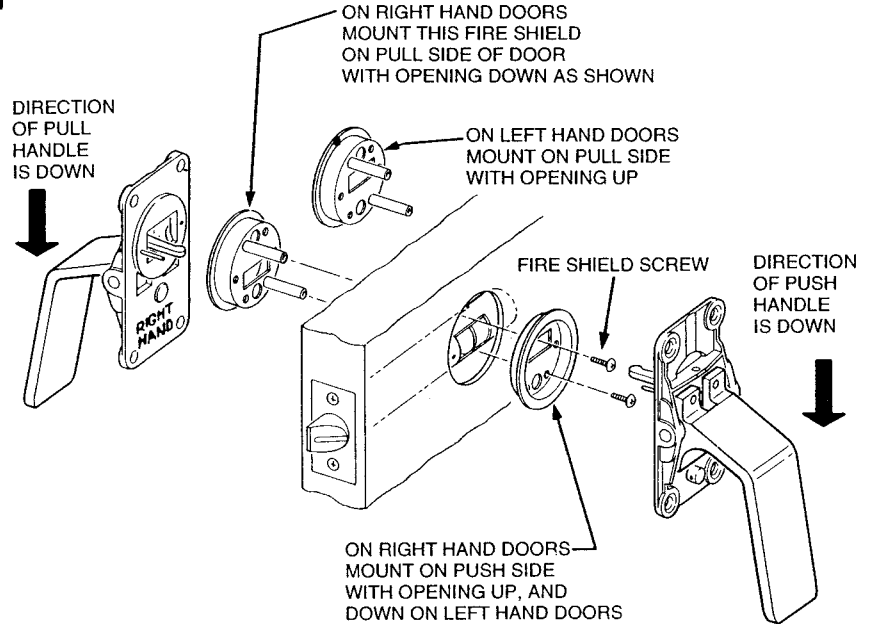
ASSA ABLOY, the global leader
in door opening solutions

NOTE: HANDLE UNITS ARE FACTORY ASSEMBLED FOR EITHER RIGHT OR LEFT HAND DOORS. BE SURE TO USE CORRECT HAND TO MATCH DOOR APPLICATION.



RIGHT HAND DOOR SHOWN

U.S. PAT. NO. 4,007,954

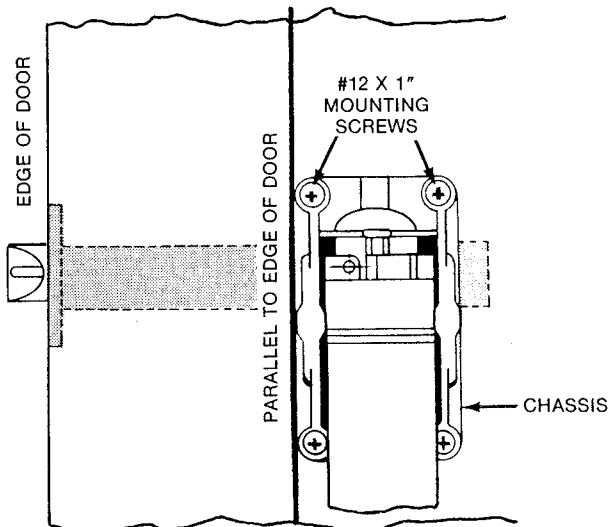


A

- 1 PREPARE DOOR ACCORDING TO TEMPLATE.
- 2 PLACE LATCH CASE IN DOOR MAKING SURE BOLT BEVEL FACES DIRECTION OF DOOR CLOSING - THEN SCREW FRONT INTO PLACE.
- 3 MOUNT FIRE SHIELDS TO DOOR AS SHOWN IN ILLUSTRATION USING TWO 4-40 SCREWS PROVIDED. USE TWO 3/8 x 1 LONG SCREWS FOR 1 3/4" DOORS. USE TWO 7/8 x 1 LONG SCREWS FOR 2 1/4" DOORS.
- 4 POSITION HANDLE UNITS SO THAT LOCATING PIN AND CAM ARM ENTER INTO CORRESPONDING HOLES IN LATCH CASE AND FIRE SHIELDS.

B

LINE UP EDGE OF CHASSIS PARALLEL TO EDGE OF DOOR (OR USE A LEVEL) — THEN MARK LOCATION OF MOUNTING SCREWS. USE A 1/8" (MAXIMUM) PILOT DRILL BEFORE APPLYING FOUR #12 X 1" FLAT PHILLIPS HEAD MOUNT SCREWS. REPEAT PROCEDURE FOR OPPOSITE HANDLE UNIT.



C

NOTE POSITION OF COVERS IN ILLUSTRATION. APPLY COVERS AND FASTEN TO CHASSIS WITH THE TWO SCREWS PER COVER PROVIDED. TIGHTEN SCREWS EVENLY ON EACH SIDE OF COVER SO THAT HANDLE DOES NOT TOUCH SIDE OF HOLE.

