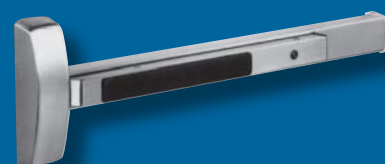


SARGENT
ASSA ABLOY

Simplicity, Strength, and Durability



80 Series Exit Device



ASSA ABLOY, the global leader
in door opening solutions

80 Series Exit Device

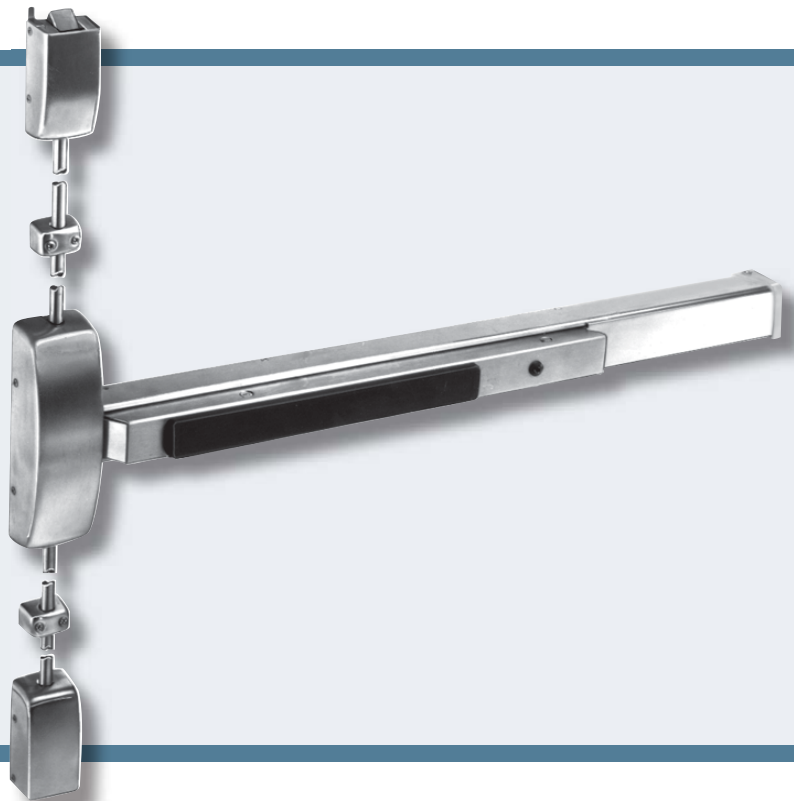


8500/8800 Series

- Single point rim latching exit device
- Designed for standard width (8800 Series) or narrow (8500 Series) stile applications on wood, metal or aluminum doors
- Double door applications require use with mullions

8700 Series

- Two point latching with surface vertical rods
- Top & bottom latch with adjustability through center case
- Available less bottom rod (NB-)
- Available with Hurricane and Windstorm Resistance Certifications to meet building codes as specified by the Florida Building Code and the International Building code



Popular Options Available

- **Electric Latch Retraction (56-)** provides electrified retraction of the latchbolt for momentary or maintained periods.
- **ElectroGuard™ Delayed Egress (57-)** sounds a door alarm when an attempt is made to exit the door.



8400/8600 Series

- Two point latching with concealed vertical rods
- Designed for standard width (8600 Series) or narrow (8400 Series) stile applications on metal or aluminum doors
- Concealed rods for security and aesthetics
- Available less bottom rod (NB-)
- UL Fire and Panic listed

8300/8900 Series

- Mortise lock exit device
- Designed for standard width stile applications on wood and metal doors
- Designed for standard width (8900 Series) or narrow (8300 Series) stile applications on metal or aluminum doors
- Concealed, single point guarded, latching for additional security
- Available with Windstorm Resistance Certification to meet building codes as specified by the Florida Building Code and the International Building code



- **Electric Dogging** (58-) continuously holds the push rail down and retracts the latchbolt.
- **Monitoring** (53-, 54-, 55-) keeps "an eye" on door activity and behavior. Available for the latchbolt, lever, and/or pushpad.
- **Alarm** (AL-) sounds immediately upon exit, discouraging unauthorized use of emergency exit door.



The SARGENT 80 Series exit device is ideal for environments that require strong and durable security solutions that will last the life of the building. Available in rim, mortise, surface vertical and concealed vertical rod configurations, these exit device configurations easily exceed ANSI/BHMA Grade 1 requirements for cycle and strength. With modular construction and few moving parts, the 80 Series device is maintenance-free and provides unsurpassed security for any facility. Plus, options are available for unique applications including delayed egress, alarmed exit and electric latch retraction making this exit device the go-to product in your building.

Features

- Modular construction, maintenance-free design
- Few moving parts
- Available in rim, mortise, surface vertical rod and concealed vertical rod
- ANSI/BHMA Grade 1
- UL Fire and Panic listed
- Single or double door applications
- Available with Studio Collection decorative levers and 13 architectural finishes
- Complete offering of electro-mechanical solutions
- Available with Microshield® antimicrobial coating
- Made from 61% post-consumer recycled content as per LEED MR credit 4
- 5 year warranty

Benefits

Strength & Reliability

Independently-verified cycle and strength testing proves the 80 Series will last the lifetime of the facility.

Security

Multiple security features provide additional resistance against vandalism and unauthorized entry.

Ease of Install and Maintenance

Modular components and robust design allow for quick and easy installation, and maintenance free operation.

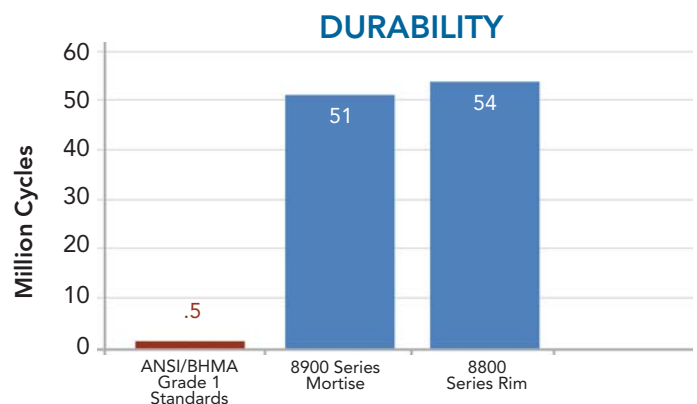
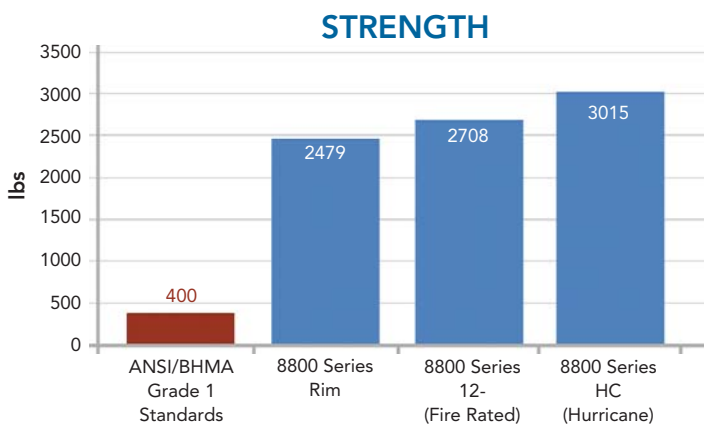
Aesthetics

Attractive, minimalist design featuring full many levers and architectural finishes to blend with any decor.

Sustainable

Contributes to your sustainability efforts – less product replacements due to long life and high post-consumer recycled content.

Strength and Cycle Testing



Note: ANSI/BHMA standards are based on 3'0" x 7'0" doors. SARGENT devices were tested on 4'0" x 10'0" doors. All results were witnessed and verified by an independent, third party test lab.

For information call 800-727-5477 or visit us online at www.sargentlock.com

ASSA ABLOY, the global leader
in door opening solutions