

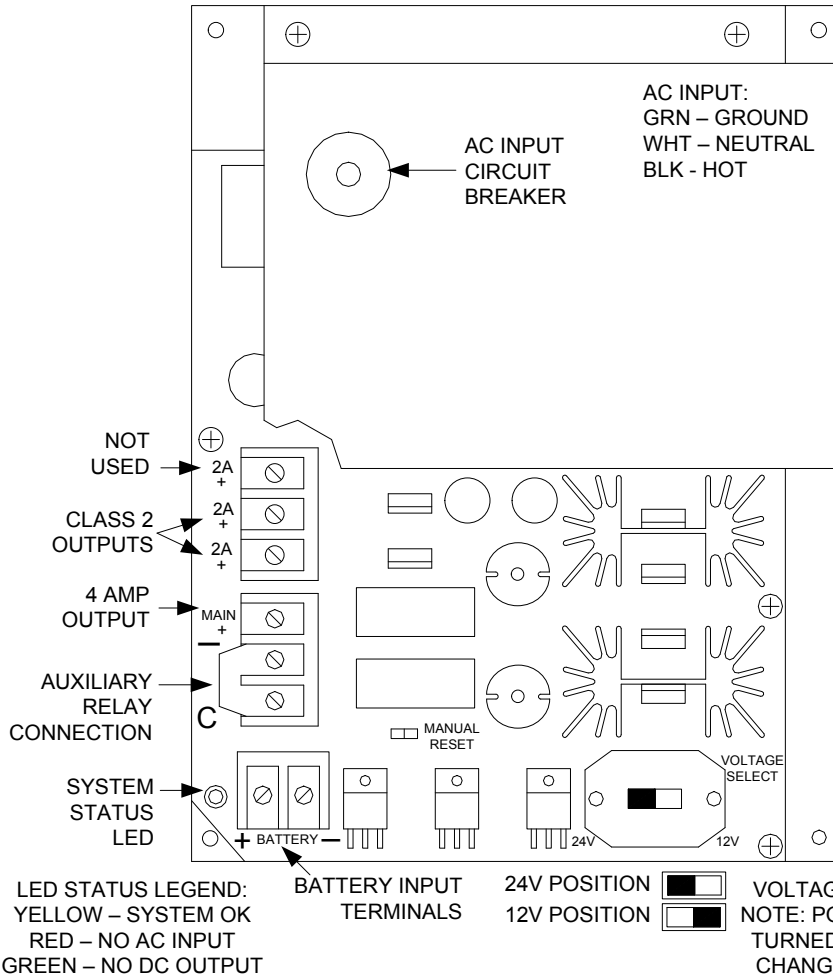


SECURITY DOOR CONTROLS
 801 Avenida Acaso, Camarillo, Ca. 93012
 (805) 494-0622 • Fax: (805) 494-8861
 www.sdcsecurity.com • E-mail: service@sdsecurity.com

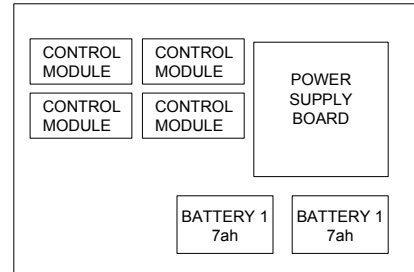
**REGULATED POWER SUPPLY
 INSTALLATION INSTRUCTIONS**

MODEL 634RF

FIGURE A

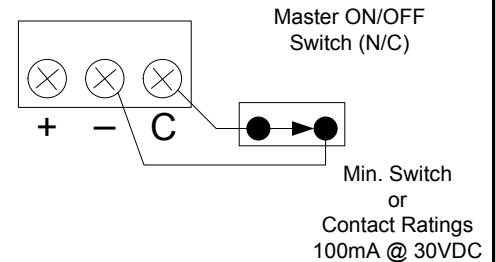


**COMPONENT LOCATIONS
 FIGURE B**



STANDARD BOX

**MAIN SYSTEM ON-OFF
 FIGURE C**



POWER SUPPLY SPECIFICATIONS

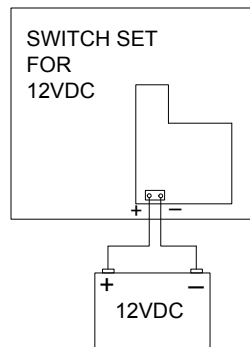
Input Voltage: 115 VAC @ 60hz
 Input Current: 1.2 amps Max.

Output Voltage: 12/24VDC (Regulated)
 Output Current: 4 amps
 Ripple Voltage: 0.05 Volts Max.

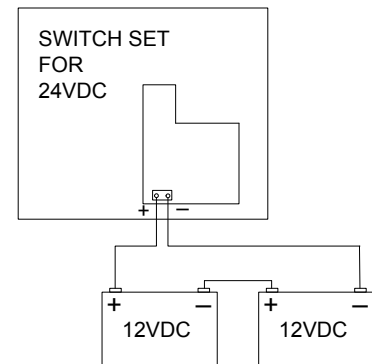
Battery Charger Max. Current: 0.35 amps
 Maximum recommended battery size: 7 ah
 (Replace batteries every 3 years)

Suitable Uses:
 Electric Lock Power Supply
 Access Control Power Supply

12 Volt
 Mode
 Battery
 Connections



24 Volt
 Mode
 Battery
 Connections



TEST UNIT YEARLY