

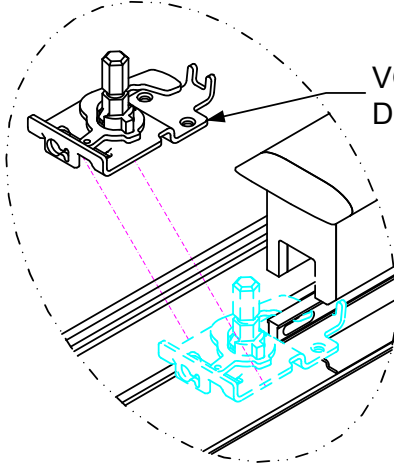
# SDC Security Door Controls

801 Avenida Acaso, Camarillo, Ca. 93012 • (805) 494-0622 •  
www.sdcsecurity.com • E-mail: service@sdsecurity.com

## INSTALLATION INSTRUCTIONS IP100VDK VON DUPRIN ELECTRIC LATCH RETRACTION DEVICE KIT MODELS: 98/99, 33A/35A, 9827, 9927, 3327A & 3527A

### Step 1

Remove Von Duprin installed mechanical dogging assembly.



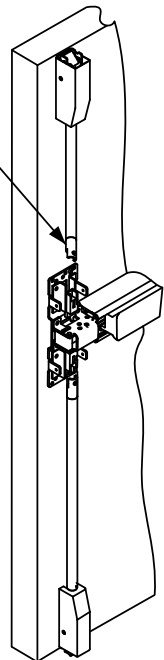
VON DUPRIN MECHANICAL DOGGING ASSEMBLY

Disconnect vertical rods from the Device head

**ELECTRICAL DATA**  
12VDC @ 700/110mA  
RED (+)      BLK (-)  
PATENT #8,851,530

### **NOTE Retro-Fitting Vertical Rod Devices:**

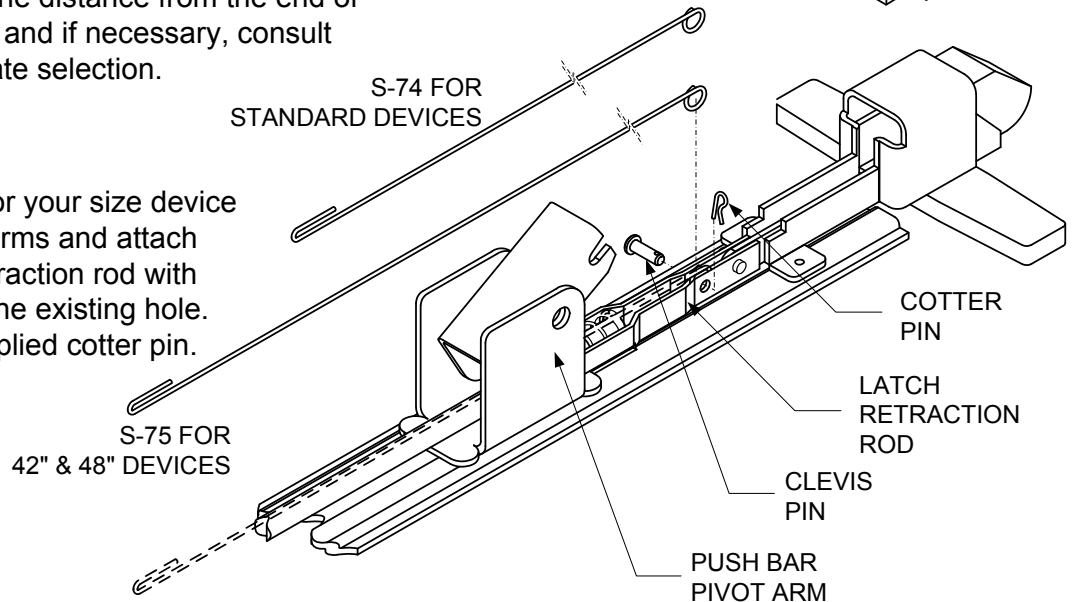
Before retro-fitting an electric latch assembly into a vertical device, the following must be done to ensure proper alignment. Disconnect the vertical rods from the device head. Install the electric latch assembly as shown above. Once the ELR is properly installed energize it so that the push pad is dogged down, by doing so it will allow for proper alignment for the vertical rods. Finally reconnect the vertical rods to the device and make the proper adjustments.



**Retrofit Installation Note:** 42" or 48" exit devices that have been modified to fit a 36" or smaller opening, may not have the required space to fit the standard E. L. R. assembly. Always verify the distance from the end of the touchpad to the end rail, and if necessary, consult with the factory for appropriate selection.

### Step 2

Slide the correct linkage for your size device under the push bar pivot arms and attach the linkage to the latch retraction rod with the supplied clevis pin in the existing hole. Lock in place with the supplied cotter pin.



S-74 FOR STANDARD DEVICES

S-75 FOR 42" & 48" DEVICES

COTTER PIN

LATCH RETRACTION ROD

CLEVIS PIN

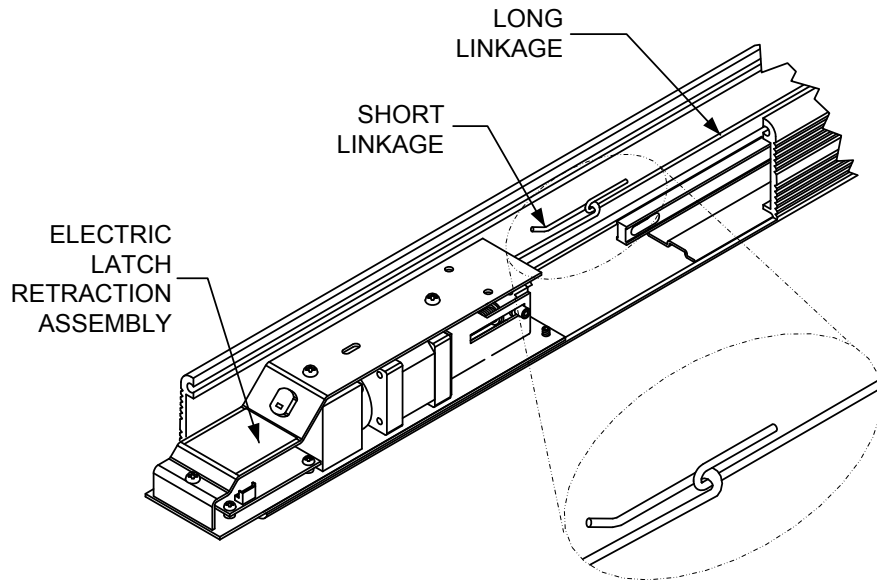
PUSH BAR PIVOT ARM

INSTRUCTIONS CONTINUED ON BACK OF PAGE

Any suggestions or comments to this instruction or product are welcome. Please contact us through our website or email engineer@sdsecurity.com

### **Step 3**

Slide the IP100 Electric Latch Retraction assembly into the device and attach the short linkage from the E.L.R. to the longer linkage from the latch retraction rod.



### **Step 4**

Carefully slide the IP100 assembly back out until the E.L.R. linkage makes contact with the latch retraction rod linkage. Tighten set screws to lock the assembly in place.

