

# SDC Security Door Controls

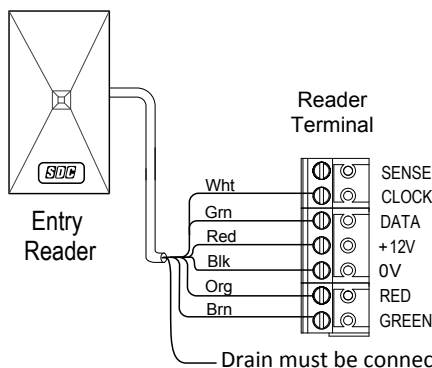
801 Avenida Acaso, Camarillo, Ca. 93041 • (805) 494-0622 • Fax: (805) 494-8861  
 www.sdcsecurity.com • E-mail: service@sdccsecurity.com

## INSTALLATION INSTRUCTIONS IPRW300 Proximity Reader



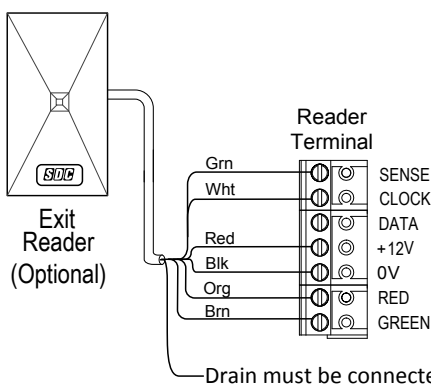
SDC P/N : IPRW300

IPRW300 Wiring - ENTRY READER TO IPPRO	
Wire Color	Terminal
White	CLOCK (Data 1)
Green	DATA (Data 0)
Red	+12V
Black	0V
Orange	RED
Brown	GREEN
Blue	NOT USED (Beeper)
Violet	NOT USED (Low Power Mode)
Yellow	NOT USED (Card Present)



IP Pro™ Single Door Controller  
 Or Remote Door Station  
 SDC P/N : IPDCE or IPDSE

IPRW300 Wiring - EXIT READER TO IPPRO	
Wire Color	Terminal
White	CLOCK (Data 1)
Green	SENSE
Red	+12V
Black	0V
Orange	RED
Brown	GREEN
Blue	NOT USED (Beeper)
Violet	NOT USED (Low Power Mode)
Yellow	NOT USED (Card Present)



IP Pro™ Single Door Controller  
 Or Remote Door Station  
 SDC P/N : IPDCE or IPDSE

IPRW300 Wiring To 3rd Party Access Control System	
Wire Color	Wire Designation
Green	DATA 1
Blue	DATA 0
Red	+12V
Black	0V
Brown	GREEN LED (Single LED Control)
Orange	RED LED (Dual LED Control only)
Blue	NOT USED (Beeper)
Violet	NOT USED (Low Power Mode)
Yellow	NOT USED (Card Present)

### IPRW300 Specifications:

Operating Voltage: +5 - 16 Volts DC (12VDC recommended)  
 Current Consumption: 30 mA typ., 75 mA peak @ 12 VDC  
 Operating Temperature: -40° F to 149° F (-40° C to +65° C)  
 Dimensions (H x W x D): 3.2" x 1.7" x 0.7"  
 Housing: Indoor/Outdoor (IP67) w/ potted electronics  
 Cabling: 20" Pigtail lead  
 Output: Industry standard 26-bit Wiegand  
 Max. Cable Distance to Host: 328ft (100m) @12VDC, 100ft (30m) @ 5VDC  
 Recommended Cable (min. 6 conductors): Belden 5504FE or 5506FE or equal  
 HID-compatible (125Khz RFID)

Any suggestions or comments to this instruction or product are welcome. Please contact us through our website or email engineer@sdccsecurity.com