

SDC Security Door Controls

801 Avenida Acaso, Camarillo, Ca. 93012 • (805) 494-0622 •
 www.sdcsecurity.com • E-mail: service@sdsecurity.com

INSTALLATION INSTRUCTIONS MONITOR STRIKES

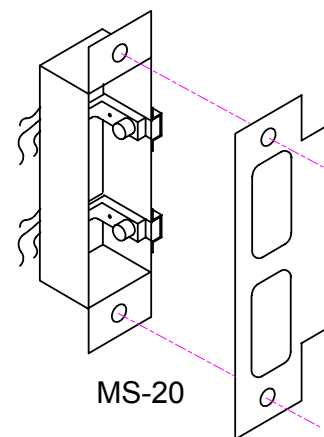
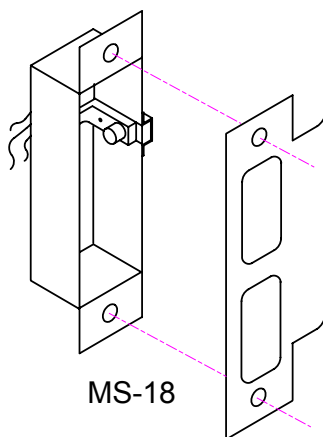
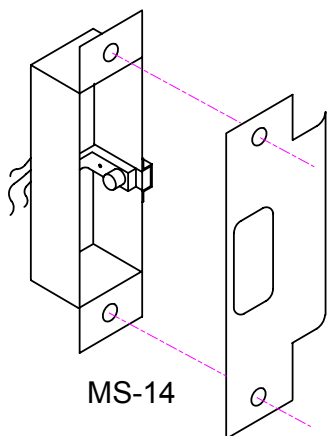
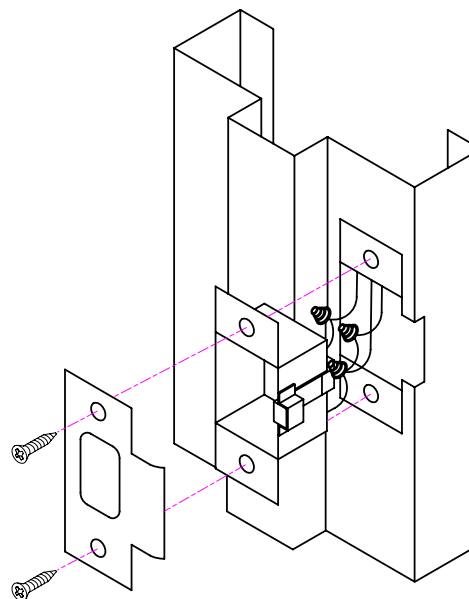
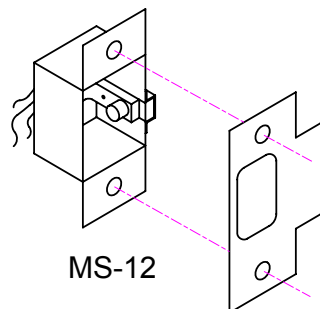
Utilizes existing lock strikes. The SDC mechanism takes the place of the lock manufacturers dust box. Both Cylindrical and Mortise type SPDT's will fit in a 1-1/2" face frame. DPDT require 1-3/4" min face frame. Cylindrical 2-3/4" and 4-7/8", Mortise 4-7/8" ANSI strikes

Trigger depth adjustable for bolt throw.

SPDT and DPDT rated @ 5 amp

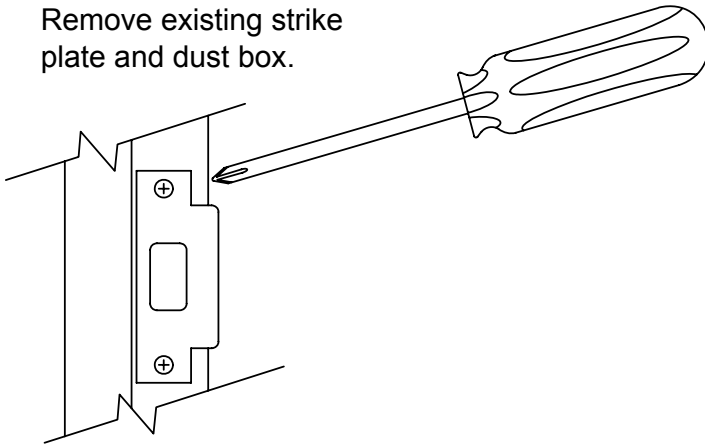
- MS-12 Cylindrical Latch Monitor 2-3/4"
- MS-14 Cylindrical Latch Monitor 4-7/8"
- MS-16 Mortise Lock Latch Monitor
- MS-18 Mortise Lock Dead Bolt Monitor
- MS-20 Mortise Lock Latch and Bolt Monitor

*Suffix D indicates DPDT



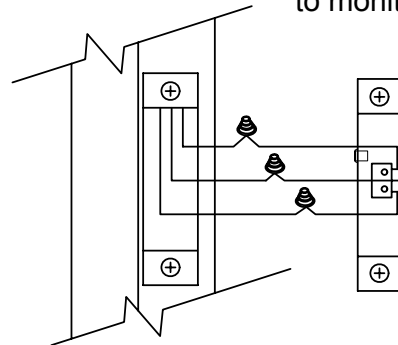
VIEW 1

Remove existing strike plate and dust box.



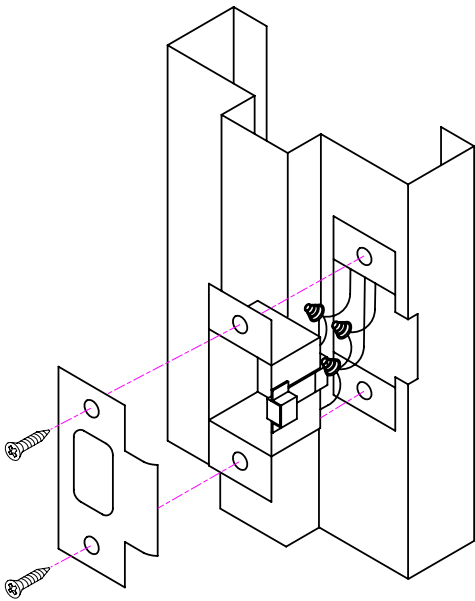
VIEW 2

Attach switch leads to monitor circuit.



VIEW 3

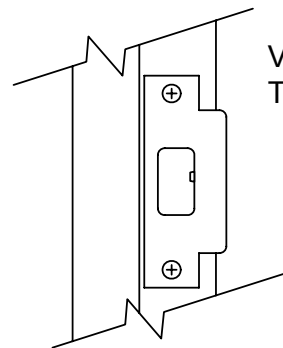
Install monitor box assy. and reinstall existing strike plate.



WIRING CHART		
COLOR		CONNECTION
WHT/BLK	WHT	COM
YEL/BLK	YEL	N/O
ORG/BLK	ORG	N/C
		-SPDT-
---DPDT---		

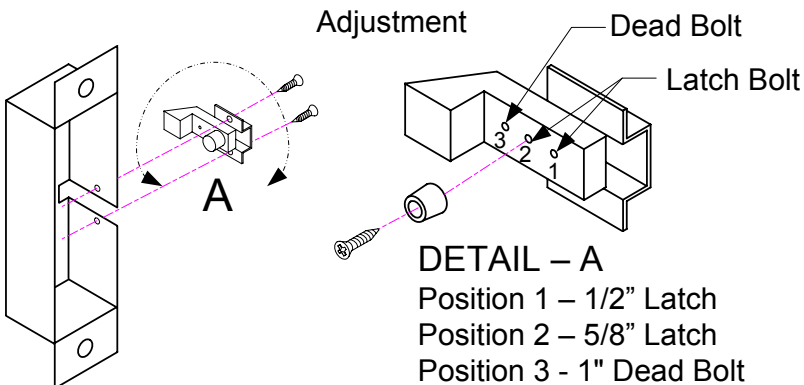
Switch – 5 amp @ 125VAC

VIEW 4
Test.



VIEW 5

Adjustment



DETAIL – A

Position 1 – 1/2" Latch
Position 2 – 5/8" Latch
Position 3 - 1" Dead Bolt

VIEW 6

