

# **ENFORCER®**

**EV-N4506-2S4Q**

**IP Corner-Mount Camera**

**Manual**



## **Features:**

- 1/2.8" 5MP Sony STARVIS™ CMOS
- H.265, H.264/MJPEG, Tri-stream IP Camera
- Max. 30FPS/Full HD 5MP (2560x1920)
- Remote access via web browser
- Network Bandwidth Control
- Event Alarm, E-mail, FTP Function
- ONVIF Profile S
- 30 Covert IR LEDs for discreet monitoring
- True Day & Night with ICR module
- Vandal-resistant metal front panel
- 3DNR & WDR
- 12VDC, PoE (IEEE802.3af)

# ENFORCER IP Corner-Mount Camera

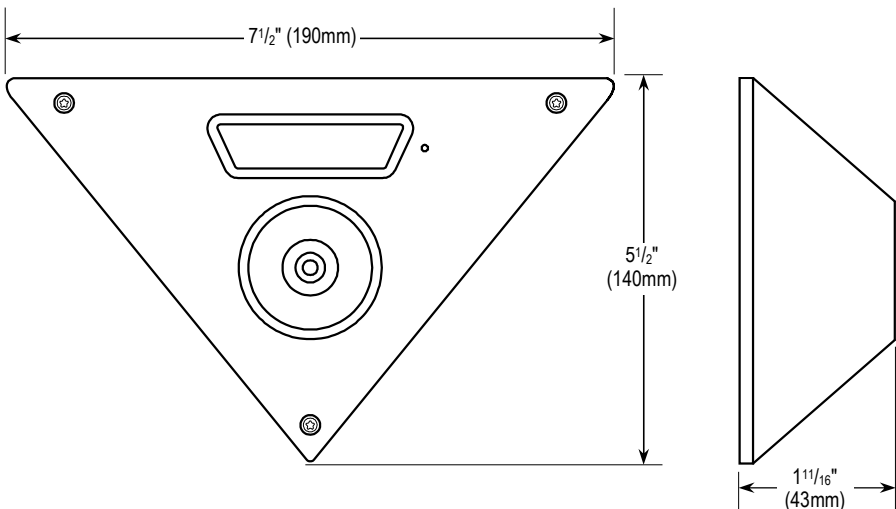
## Specifications:

Type	Corner-Mount Camera	
Sensor	1/2.8" 5MP Sony STARVIS™ CMOS	
Video encoding	H.265, H.264, MJPEG	
Resolution	5MP (2560x1920)	
DNR	2DNR	Yes
	3DNR	Yes
WDR	Yes	
# of IR LEDs	30 (940nm)	
Lens	2.8mm	
Viewing angle	157°	
Minimum illumination	IR On	0 Lux
	IR Off	0.01 Lux
F Stop	1.6	
Gamma correction	0.45	
S/N ratio	50dB	
Gain control	Auto	
White balance	Auto	
Operating voltage	12VDC, PoE (IEEE802.3af)	
Current draw (IR Off)	140mA max.	
IP Rating	IP65	
Operating temperature	14°~122° F (-10°~50° C)	
Dimensions	7 1/2" x 5 1/2" x 1 1/16" (190x140x43 mm)	
Weight	13.75-oz (390g)	

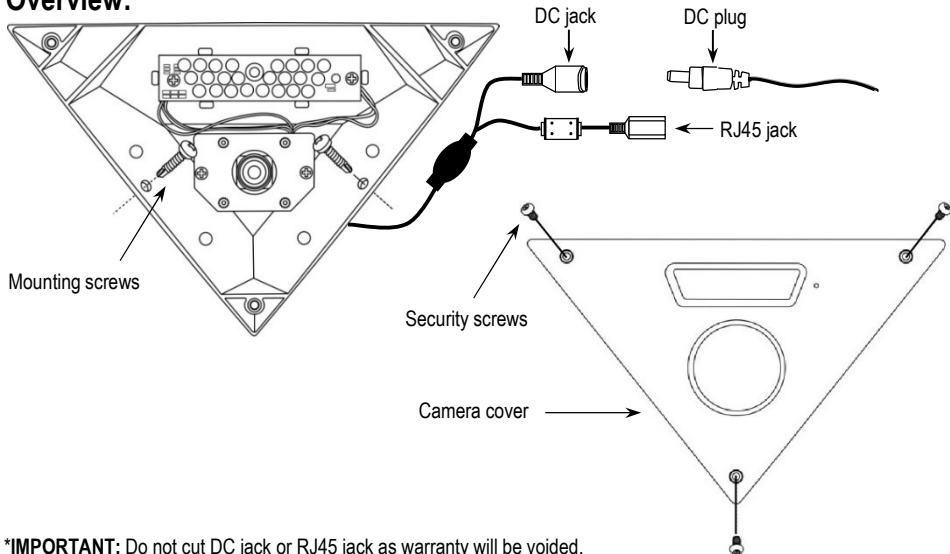
## Parts List:

1x Camera	1x Camera cover	1x CD	4x Mounting screws
1x Pigtail connector	3x Security screws	1x Security wrench	1x Manual

## Overview:



## Overview:



**\*IMPORTANT:** Do not cut DC jack or RJ45 jack as warranty will be voided.

## Before Starting:

1. Please read this manual carefully and keep it for future reference.
2. Use the camera within given temperature and electrical limits.
3. Do not point the camera at the sun. Heat could damage the camera, even when not in use.
4. Do not mount the camera in areas exposed to radiation, strong magnetic fields, or strong electrical signals.
5. Do not open or disassemble the camera. There are no field-serviceable parts inside.
6. Do not drop the camera or subject it to strong vibrations.

## Installation:

1. Use the included security wrench to loosen the screws and remove the camera cover from the camera.
2. Run a 12VDC power supply wire and cable with an RJ45 jack through the wall at the corner where the camera is to be mounted.
3. Execute "IP Manager" on the PC.
4. Press the "Find" button. IP cameras connected to the same router will be searched and listed. This may take several seconds. Default IP address is 192.168.1.30.
5. Right-click the desired product, and press "IP Change".
6. Use web port number 80. This is an internal port.
7. IP address: You may use Dynamic IP or you may set Static IP as below:
8. Typical IP setting is as follows.
9. IP address.: 192.168.1.10 (you can change the last column)
10. Netmask: 255.255.255.0  
Gateway: 192.168.1.1  
DNS1/2: You can copy the PC's network properties.  
This is for internet environments.
11. Input "admin" for User ID and password  
**NOTE:** It is recommended that you change the default password.
12. Press "Change" to save settings and allow 10s for changes to appear.
13. Right-click the desired device and click "Open Web Page".
14. Enter Username / Password.
15. Click "Live" on top right of the screen.
16. Click yes for "ActiveX Control".
17. After the installation of Active X, you will be able to view the live feed only with Internet Explorer. Visit <http://www.seco-larm.com/EV-N4506-2S4Q> for the Web Admin Manual.

# ENFORCER IP Corner-Mount Camera

## Troubleshooting:

The screen is blank	<ul style="list-style-type: none"><li>• Check that the camera is powered up.</li><li>• Check that the power supply's polarity is correct.</li><li>• Check that the monitor is powered up.</li><li>• Check that the video cable connecting the camera to the monitor is connected properly.</li></ul>
The screen image is dim	<ul style="list-style-type: none"><li>• Clean the lens using a soft, clean cloth.</li><li>• Check that the light source is adequate.</li></ul>
The screen image has poor contrast.	<ul style="list-style-type: none"><li>• Adjust the monitor's contrast knob.</li><li>• Change the position of the camera.</li></ul>
The screen image flickers.	<ul style="list-style-type: none"><li>• Change the position of the camera.</li></ul>
The screen image is distorted.	<ul style="list-style-type: none"><li>• Change the position of the camera.</li></ul>
The camera case is hot.	<ul style="list-style-type: none"><li>• Check that the correct power supply is in use</li></ul>
IR LEDs do not turn on.	<ul style="list-style-type: none"><li>• Check that the correct power supply is in use</li></ul>

**IMPORTANT:** Users and installers of this product are responsible for ensuring this product complies with all national, state, and local laws and statutes related to monitoring and recording audio and video signals. SECO-LARM will not be held responsible for the use of this product in violation of any current laws or statutes.

**California Proposition 65 Warning:** These products may contain chemicals which are known to the State of California to cause cancer and birth defects or other reproductive harm. For more information, go to [www.P65Warnings.ca.gov](http://www.P65Warnings.ca.gov).

### FCC COMPLIANCE STATEMENT

THIS DEVICE COMPLIES WITH PART 15 OF THE FCC RULES. OPERATION IS SUBJECT TO THE FOLLOWING TWO CONDITIONS: (1) THIS DEVICE MAY NOT CAUSE HARMFUL INTERFERENCE AND (2) THIS DEVICE MUST ACCEPT ANY INTERFERENCE RECEIVED, INCLUDING INTERFERENCE THAT MAY CAUSE UNDESIRE OPERATION.

Notice: The changes or modifications not expressly approved by the party responsible for compliance could void the user's authority to operate the equipment.

IMPORTANT NOTE: To comply with the FCC RF exposure compliance requirements, no change to the antenna or the device is permitted. Any change to the antenna or the device could result in the device exceeding the RF exposure requirements and void user's authority to operate the device.

**WARRANTY:** This SECO-LARM product is warranted against defects in material and workmanship while used in normal service for three (3) years from the date of sale to the original customer. SECO-LARM's obligation is limited to the repair or replacement of any defective part if the unit is returned, transportation prepaid, to SECO-LARM. This Warranty is void if damage is caused by or attributed to acts of God, physical or electrical misuse or abuse, neglect, repair or alteration, improper or abnormal usage, or faulty installation, or if for any other reason SECO-LARM determines that such equipment is not operating properly as a result of causes other than defects in material and workmanship. The sole obligation of SECO-LARM and the purchaser's exclusive remedy, shall be limited to the replacement or repair only, at SECO-LARM's option. In no event shall SECO-LARM be liable for any special, collateral, incidental, or consequential personal or property damage of any kind to the purchaser or anyone else.

**NOTICE:** The SECO-LARM policy is one of continual development and improvement. For that reason, SECO-LARM reserves the right to change specifications without notice. SECO-LARM is also not responsible for misprints. All trademarks are the property of SECO-LARM U.S.A., Inc. or their respective owners. Copyright © 2021 SECO-LARM U.S.A., Inc. All rights reserved.

## SECO-LARM® U.S.A., Inc.

16842 Millikan Avenue, Irvine, CA 92606  
Phone: (949) 261-2999 | (800) 662-0800

Website: [www.seco-larm.com](http://www.seco-larm.com)  
Email: [sales@seco-larm.com](mailto:sales@seco-larm.com)

 PIKSR1

MI\_EV-N4506-2S4Q\_211103.docx