

# M34R SERIES

## 500lbs Holding Force

### Recessed Magnalock® for Traffic Control

The M34R secures sliding doors with Magnalock strength for traffic control applications within a monitored perimeter. The recessed design conceals the maglock for hidden protection that blends with the aesthetics of the opening. Works great on automatic single sliding doors or on sliding doors for storage closets, patios and more.



#### PRODUCT FEATURES

- Recessed for aesthetically appealing finish
- Fully sealed for weather-proof operations
- Sealed 10 ft. [3.05m] jacketed, stranded conductor cable
- Automatic dual voltage - no field adjustment required
- Instant release circuit - no residual magnetism
- Noise suppression - no interference with sensitive electronics
- Efficient, low power usage
- All ferrous metal surfaces plated for durability and rust resistance
- MagnaCare Lifetime Replacement No Fault Warranty

#### PRODUCT OPTIONS

- BondSTAT magnetic bond sensor - Patented (MBS)
- Integrated door position switch (DPS)

#### SPECIFICATIONS

- UL 10C Listed
- CAN4-S104, CAN/ULC-S533 Listed
- UL 294 Recognized Component
- CSFM- California State Fire Marshal Approved
- CE:EN 50091-1, EN 61000-6-2 Approved
- NEMA: 4X
- IEC: IP66
- Patent: 8,094,017
- Patents Pending

#### Holding Force:

500lbs [227kg]

#### Dimensions:

Magnalock: 10-1/2" L x 1-1/8" D x 1-1/2" H

Strike: 6-3/8" L x 1/2" D x 1-7/16" H

#### Electrical:

320mA at 12VDC

170mA at 24VDC

#### Operating Temperature:

-40 to +140F [-40 to +60C]

Indoor or Outdoor use

#### Shipping Weight:

5lbs [2.23kg]

#### Finishes:

US32D/630 - Satin Stainless Steel

#### MODELS

PART # | Description

M34R

M34 - Recessed

M34RB

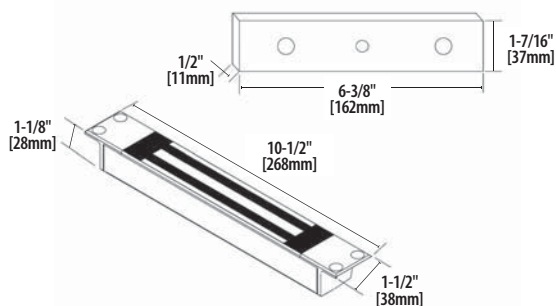
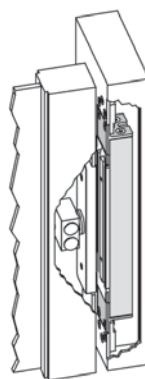
M34 - Recessed, MBS

M34RBD

M34 - Recessed, MBS, DPS

M34RD

M34 - Recessed, DPS



DUAL VOLTAGE



GRADE 1



FIRE RATED

SECURITRON®

ASSA ABLOY