

# Securitron® M34R Recessed Magnalock®

*500 lbs holding force,  
recessed Magnalock*



## Recessed Magnalock for traffic control on a sliding door.

The M34R secures single sliding doors with Magnalock strength for traffic control applications within a monitored perimeter. The recessed design on the edge of the door that comes against the frame when the door is closed conceals the maglock for hidden protection that blends with the aesthetics of the opening. Works great on automatic single sliding doors or on sliding doors for patios, storage closets and more.

## Features

### Standard Features

- Efficient, low power usage
- Automatic dual-voltage—no field adjustment required
- Fully sealed for weatherproof operations
- Rust resistant—all ferrous metal surfaces plated for durability
- Instant release circuit—no residual magnetism
- Noise suppression with included MOV
- Recessed for aesthetically appealing finish
- 10 ft [3.05m] of jacketed, stranded conductor cable
- Direct mount in door frame for strength and reliability
- MagnaCare® lifetime replacement, no fault, no questions asked warranty

### Optional Features

- **B** Patented BondSTAT magnetic bond sensor
- **D** Integrated Door Position Switch (DPS)



MagnaCare  
Warranty



Auto Sensing  
Dual Voltage  
12/24

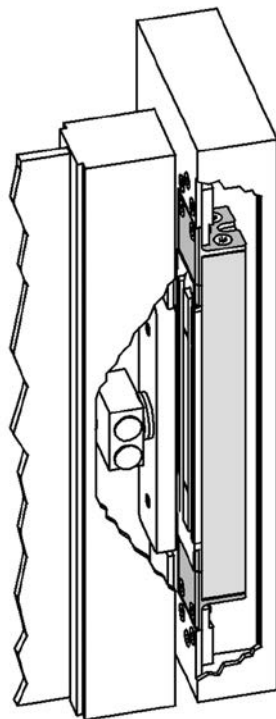
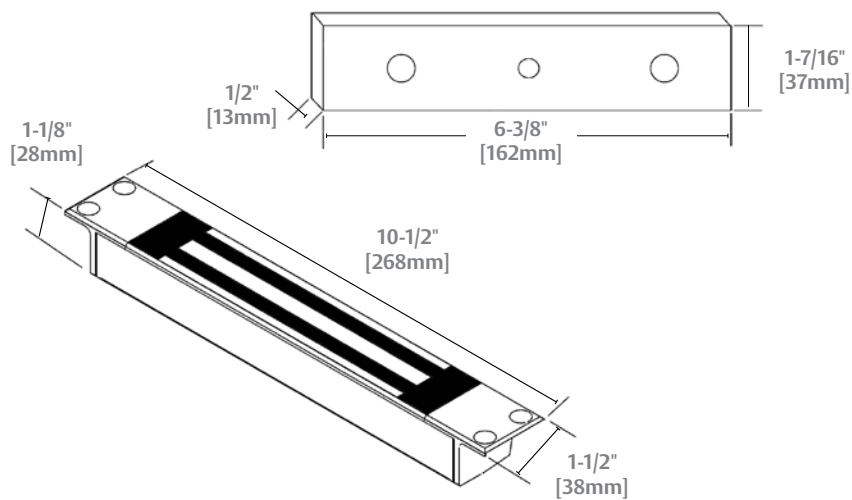


Fire Rated



Preload

## Dimensions



## Specifications

### Certifications

- UL 294 listed
- CAN4-S104, CAN/ULC-S533 Listed
- CSFM—California State Fire Marshal Approved
- CE:EN 50081-1(92), EN 61000-6-2(99) Approved

### Dimensions

- **Magnalock:** 10-1/2" L x 1-1/8" D x 1-1/2" H
- **Strike:** 6-3/8" L x 1/2" D x 1-7/16" H

### Electrical

- 320 mA at 12 VDC
- 170 mA at 24 VDC

### Holding Force

- 500 lbs [227kg]

### Operating Temperature

- -40 to +140F [-40 to +60C]
- Indoor or Outdoor use

### Shipping Weight

- 5 lbs [2.23kg]

## How to Order

Model Series	Monitoring Options
<b>M34R</b>	<b>BD</b>
M34R (500 lbs)	(blank) No Monitoring
	<b>B</b> BondStat Monitor
	<b>D</b> Door Position Switch