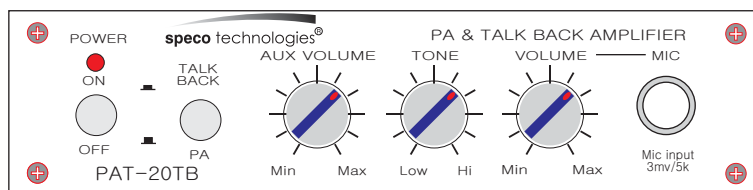


---



speco technologies®




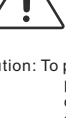
INSTRUCTION MANUAL



PAT-20TB MOBILE PUBLIC  
ADDRESS AMPLIFIER  
WITH TALK BACK SYSTEM

SPECO TECHNOLOGIES  
PROFESSIONAL SERIES

---

	<p style="text-align: center;"><b>CAUTION</b></p> <p style="text-align: center;">RISK OF ELECTRIC SHOCK DO NOT OPEN</p>			<p>This symbol is intended to alert the user to the presence of uninsulated "dangerous voltage" within the product's enclosure that may be of sufficient magnitude to constitute a risk of electric shock to persons.</p>
<p><b>CAUTION:</b> TO REDUCE THE RISK OF ELECTRIC SHOCK, DO NOT REMOVE COVER (OR BACK). NO USER-SERVICEABLE PARTS INSIDE. REFER SERVICING TO QUALIFIED SERVICE PERSONNEL.</p>				<p>This symbol is intended to alert the user to the presence of important operation and maintenance (servicing) instructions in the literature accompanying the appliance.</p>
<p><b>WARNING</b> To prevent fire or shock hazard, do not expose the unit to rain or moisture.</p>			<p>Caution: To prevent electric shock do not use this (polarized) plug with an extension cord, receptacle or other outlet unless the blades can be fully inserted to prevent blade exposure.</p> <p>Attentions: Pour pr<sup>*</sup>venir les chocs <sup>*</sup>lectriques ne pas utiliser cette fiche polaris<sup>*</sup>e avec un prolongateur, une prise de courant on une autre sortie de courant, sauf si les lames peuvent <sup>*</sup>tre ins<sup>*</sup>rt<sup>*</sup>ss &amp; fond sans en laisser aucune partie &amp; d<sup>*</sup>couvert.</p>	



## ATTENTION INSTALLER

BEFORE INSTALLING THIS EQUIPMENT, PLEASE READ THE INSTRUCTION MANUAL THOROUGHLY. IF YOU ARE NOT TOTALLY FAMILIAR WITH THE INSTALLATION OF THIS TYPE OF APPARATUS, PLEASE SECURE THE ASSISTANCE OF A QUALIFIED TECHNICIAN. IF THE UNIT IS NOT CONNECTED PROPERLY, DAMAGE MAY RESULT AND YOUR WARRANTY MAY BE VOIDED.

Your mobile P.A. AMPLIFIER has been designed using the latest electronic technology available. This technology allows you to control the P.A. volume separately for Microphone or Auxiliary inputs. Your unit also comes with a tone control that allows you to adjust the frequency response.

CAUTION : Before installation/operation read your manual completely.

#### SPECIFICATIONS

POWER OUTPUT : 20 WATTS RMS (EXT)  
TALK BACK POWER OUTPUT : 4 WATTS RMS (INSIDE SPEAKER)  
OUTPUT IMPEDANCE : 4 or 8 OHMS  
TOTAL HARMONIC DISTORTION : Less than 1% at 10 Watts output  
FREQUENCY RESPONSE : 50Hz - 20KHz Within -3dB  
TONE CONTROL : 0-12dB ADJUSTABLE AT 10 KHz  
AUX INPUT SENSITIVITY : 200mV/10K ohms  
MIC INPUT SENSITIVITY : 2.5mV/5K ohms  
SIGNAL TO NOISE RATIO : More than 70dB  
POWER SOURCE : 11V TO 16V DC NEG GND  
FUSE : 3A  
DIMENSION : 5 1/8"(W) X 1 1/4"(H) X 4 1/2"(D)  
WEIGHT : 2 lbs.

## Installation

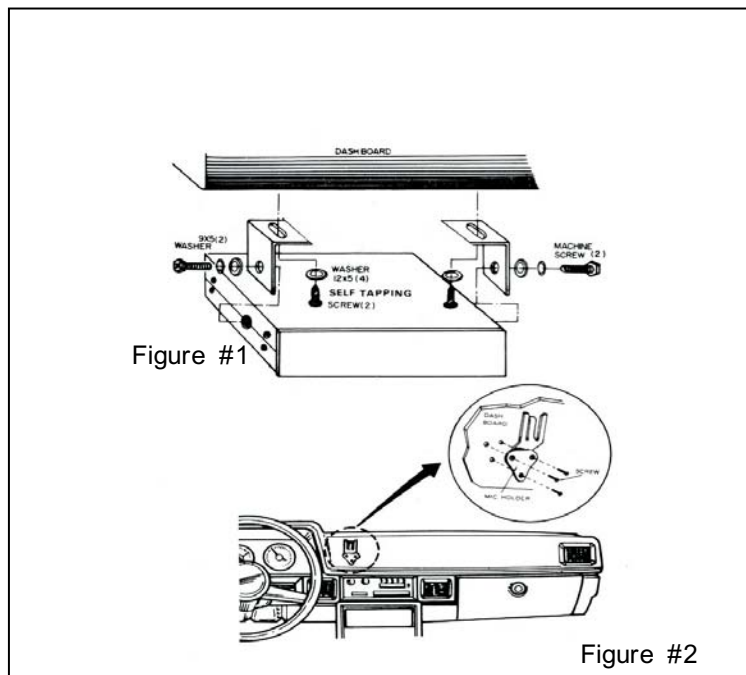
1. Select a suitable mounting Location :
  - A. Close enough to a 12 volt DC power source.
  - B. Do not expose to extreme temperatures or moisture.

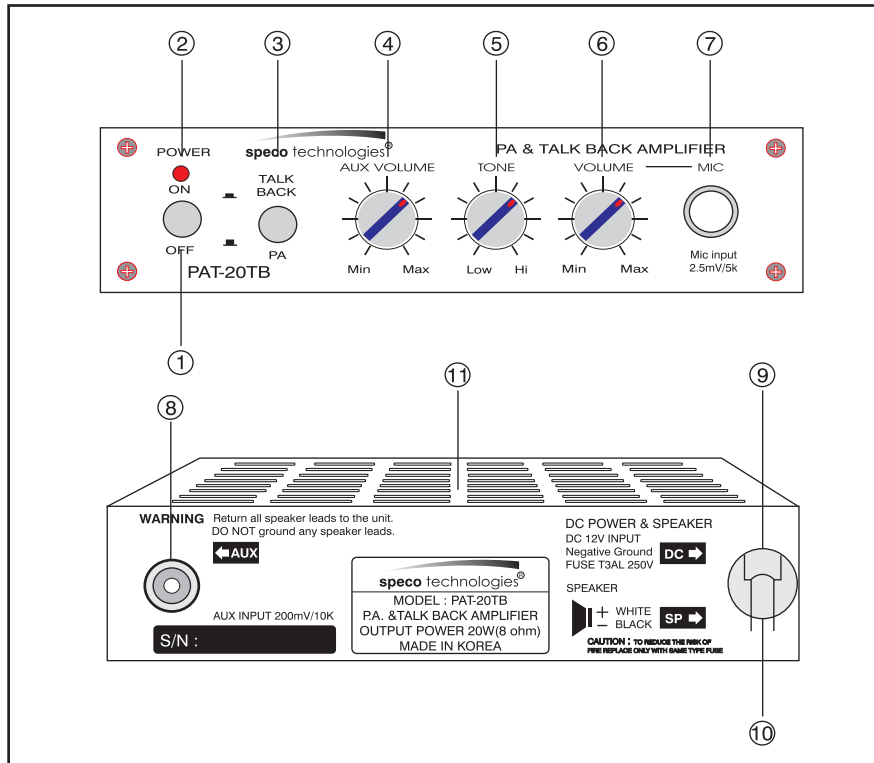
Then install the system using the brackets, screws and washers provided as shown in figure #1. Temporarily mount the brackets to the unit. Use the unit with brackets mounted as a template to mark the holes that are to be drilled.

**CAUTION :** When drilling hole, be sure that you are not interfering with any electrical wiring.

After marking location of drilling, carefully drill small, shallow holes. Then secure amplifier's brackets to mounting location. After the brackets are secure, mount amplifier into brackets. Refer to Figure #1.

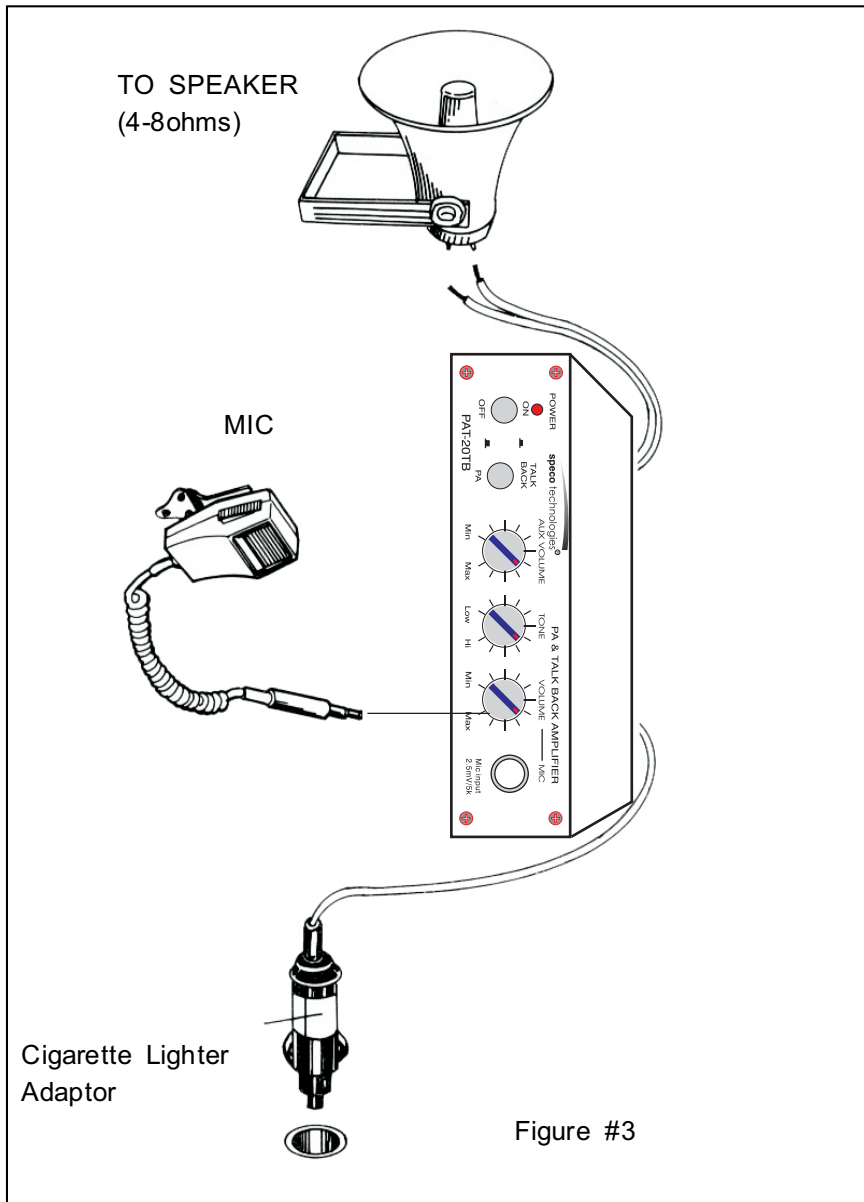
2. Mount the MIC. Bracket referring to figure #2.



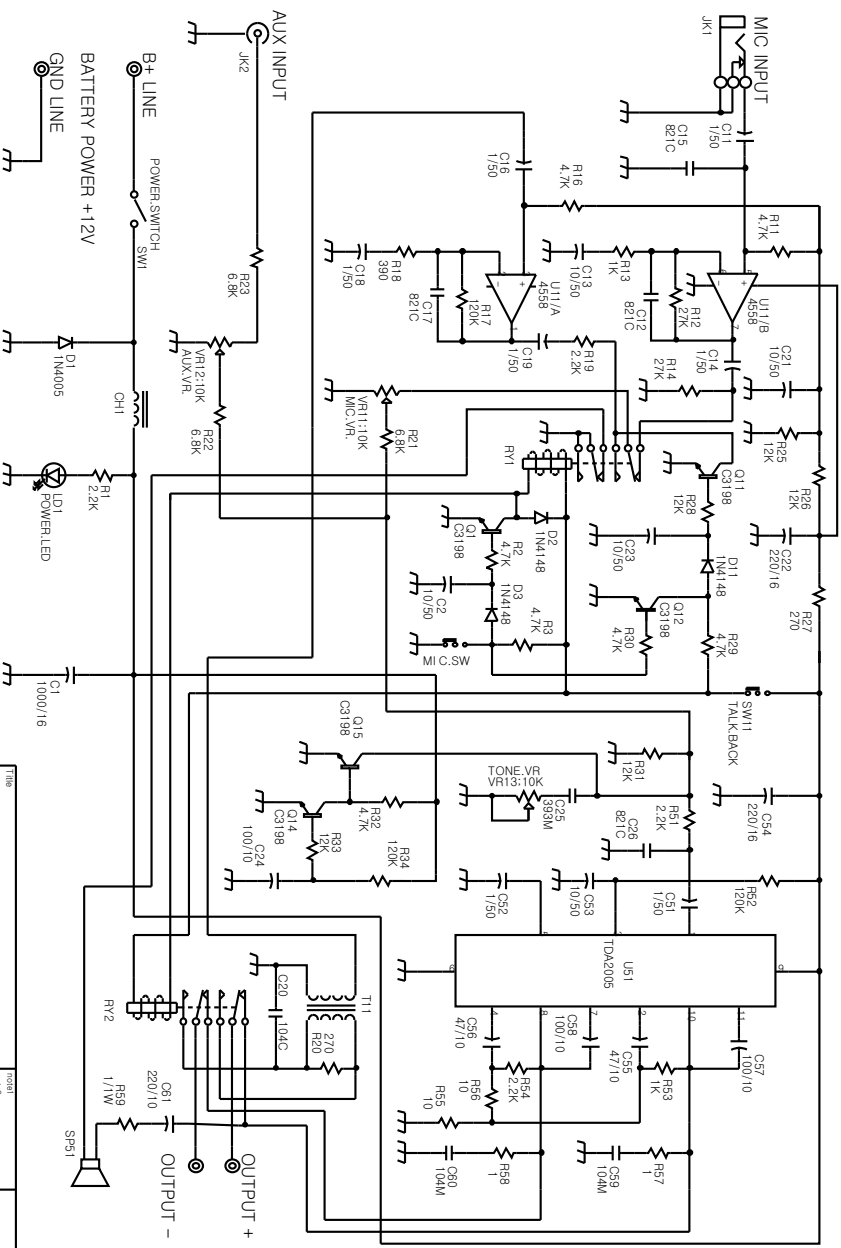


1. POWER ON/OFF SWITCH
2. POWER INDICATOR LED
3. TALK BACK & P.A. CONTROL SWITCH  
Talk back / P.A. control switch
4. AUX VOLUME CONTROL/CD VOLUME CONTROL  
Turn clockwise to increase volume level.
5. TONE CONTROL  
Bass tones emphasized when turned counter-clockwise, and treble tones emphasized when turned clockwise.
6. MIC VOLUME CONTROL  
Turn clockwise to increase volume level.
7. MIC INPUT PL55 JACK
8. AUX INPUT RCA JACK
9. CIGARETTE LIGHTER ADAPTOR CABLE
10. SPEAKER OUTPUT
11. TALK BACK SPEAKER (INSIDE TOP COVER)

# ELECTRICAL AND SPEAKER WIRING



PAT-20TB SCHEMATIC DIAGRAM



Title	Issue	Issue Date
PAT-20TB SCHEMATIC	1	10/14/10

Size	Rev	Rev Date
A4	1	10/14/10

File	SW	Author	AT	Date	Time
PAT-20TB	1	10/14/10	10:14	10/14/10	17:30

Spoco technologies



FOR ASSISTANCE OR REPAIR SERVICE CONTACT



200 NEW HIGHWAY P.O. BOX 726  
AMITYVILLE, N.Y. 11701 - 0726  
631-957-8700 1-800-645-5516

