



INSTALLATION
GUIDE

CONTRACTOR ELITE

CONTRACTOR ELITE

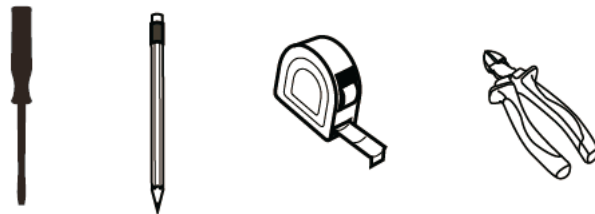
Introduction

Thank you for purchasing the Contractor Elite series of indoor/outdoor speakers from Speco Technologies. We take pride in providing you with high quality products. Our loudspeaker will bring you years of pleasure for your acoustic entertainment. This instruction booklet covers the necessary information for a smooth installation.

Contractor Elite is an advanced indoor/outdoor loudspeaker system that allows you to enjoy your favorite music in either remote locations around residential or commercial spaces.

Tools / Item Needed

1. Pencil
2. Measuring tape
3. Screw driver
4. Speaker wire
5. Wire stripper



Product Parts

- a. Mounting Bracket
- b. Cable gland
- c. Rubber feed through
- d. Terminal cover
- e. Bracket knob
- f. Cabinet
- g. Grille

Dimensions

SPCE5 series

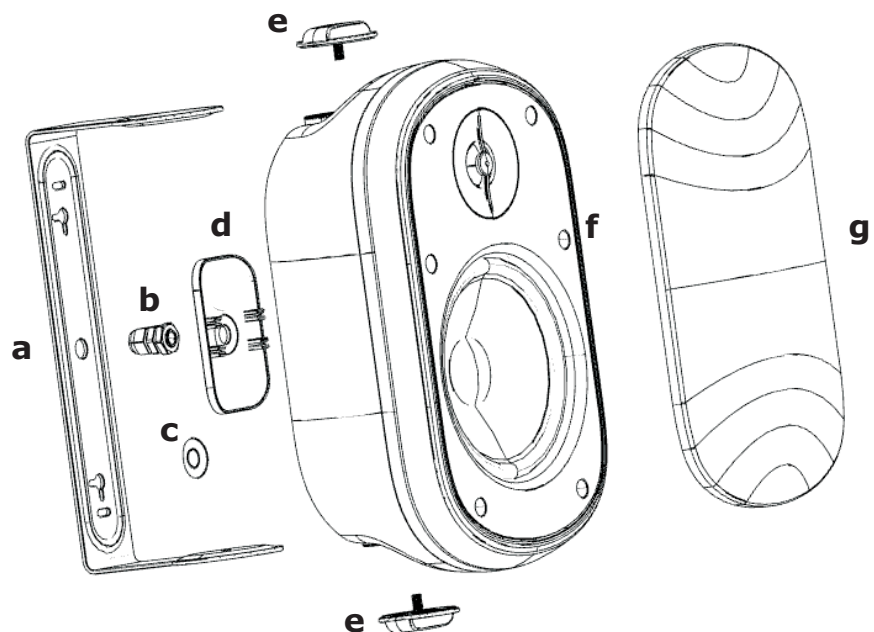
W 7.5" (190mm)
D 6.75" (171mm)
H 11.25" (286 mm)
(with Mounting Brackets)

SPCE6 series

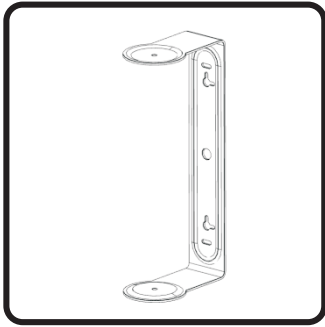
W 7.9" (201mm)
D 8.3" (210mm)
H 12.6" (320 mm)
(with Mounting Brackets)

SPCE8 series

W 9.8" (250mm)
D 7.1" (180mm)
H 15.6" (395 mm)
(with Mounting Brackets)

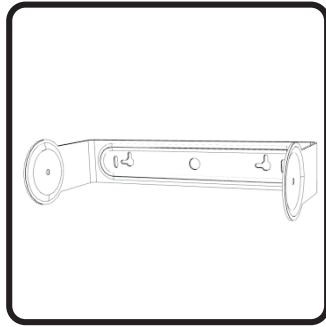


Installation

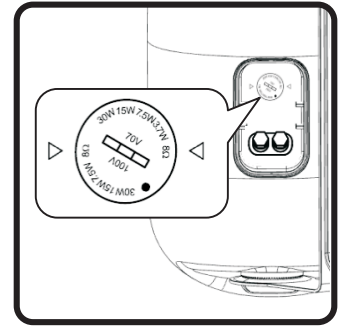


1. Vertical mounting

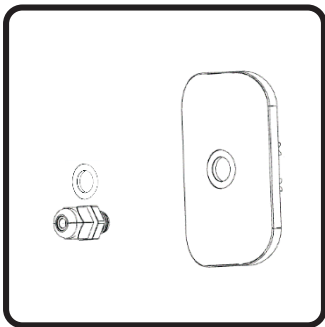
or



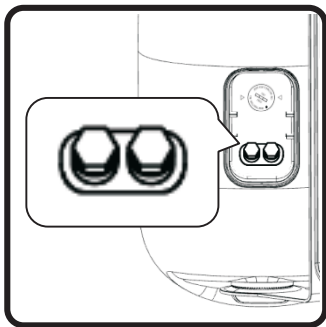
2. Horizontal mounting



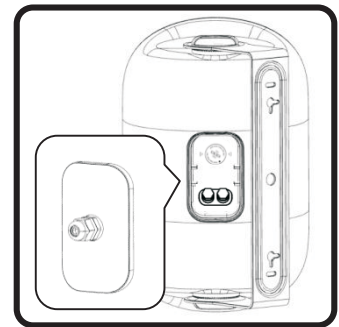
3. Adjust tap selector (if applicable)



4. Use Cable gland (outdoors) **or** rubber feed through (indoors) on terminal cover for speaker wire.



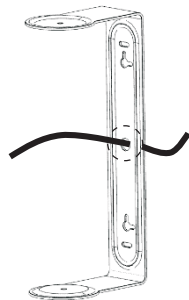
5. Connect speaker wire to binding post (Red: +, Black: -)



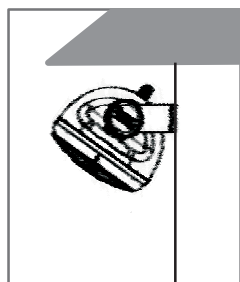
6. Tightly insert terminal cover into the cabinet groove

Installation Tips

Utilize the holes in the brackets



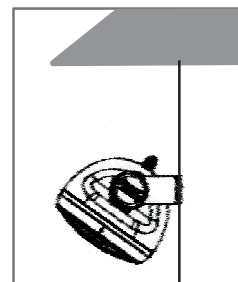
More bass output



Suggested Clearance



Less bass output



Limited Warranty

We warrant this product to be free from any manufacturing or material defects for 5 years from the purchase date.

This warranty will not extend to any products which have been subjected to misuse, neglect, accident, or improper installation, used in violation of instructions furnished by us; or to units which have been repaired or altered outside of the factory. This limited warranty does not apply to broken cases, batteries, or other physically damaged parts.

Upon request by the customer, the company will, at the customer's expense, repackage merchandise in new cartons, replace missing accessories, and return in resalable condition. Unless requested, the company will replace and return all merchandise in the packaging in which it was received. This warranty is in lieu of all expressed warranties, expressed or implied, and of all obligations or liability on our part, and we neither assume nor authorize any representative or other person to assume for us any obligation or liability. In no event shall we be liable for incidental or consequential damages arising from the use of the product, or for any delay in the use of this product do to causes beyond our control. Some states do not allow limitations of how long an implied warranty lasts and/or do not allow the exclusion or limitation of consequential damages. The above limitations on implied warranty and consequential damages may not apply to you. This warranty gives you specific legal rights. You may have other rights which vary from state to state.

Requirements and Warranty Coverage

This warranty may not be valid if the product was purchased through an unauthorized dealer. This warranty only applies to the individual that made the original purchase, and it cannot be applied to other purchases. The purchaser must be prepared to provide proof of purchase (receipt). This warranty will not be valid if the identifying number or serial number has been removed, defaced, or altered. This warranty does not cover the following:

- Accidental damage
- Damage caused by abuse or misuse
- Damage caused by attempted repairs/modifications by anyone other than an authorized dealer
- Damage caused by improper installation
- Normal wear, maintenance, and environmental issues
- Damage caused by voltage inputs in excess of the rated maximum of the unit
- Damage inflicted during the return shipment

Speco Technologies is constantly developing and improving products.

We reserve the right to modify product design and specifications without notice and without incurring any obligation.

Speco Technologies . 200 New Highway . Amityville . NY . 11701 www.specotech.com

Rev. 04/20/18