

# NVR301-Q Series



## Key Features

- Support H.265/H.264 video formats
- Support TVI,AHD, CVI,CVBS, IP cameras with adaptive access
- 4/8-channel BNC input
- Support 1-ch HDMI output, 1-ch VGA output at up to 1920\*1080
- Long transmission distance over coax cable

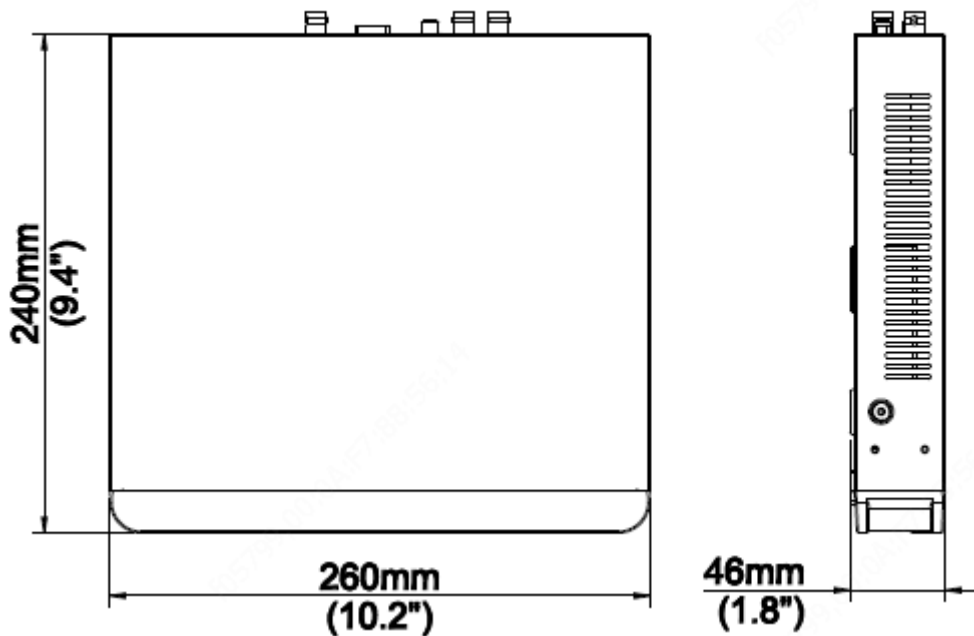
## Specifications

Model	NVR301-04Q	NVR301-08Q
Video/Audio Input		
Analog Video Input	4-ch, BNC	8-ch, BNC
IP Video Input	2-ch(only IP up to 6ch),each channel up to 4K	4-ch(only IP up to 12ch),each channel up to 4K
Supported Analog Camera Types	<b>Support AHD input:</b> 8MP@15fps (channel1) 5MP@20fps 4MP@30fps 3MP@30fps (channel1) 1080P@30fps 720P@60fps <b>Support TVI input:</b> 8MP@15fps(channel1) 5MP@20fps 4MP@30fps 3MP@20fps (channel1) 1080P@30fps 720P@60fps <b>Support CVI input:</b> 8MP@15fps(channel1) 5MP@20fps	<b>Support AHD input:</b> 8MP@15fps(channel1-channel2) 5MP@20fps 4MP@30fps 3MP@30fps (channel1 –channel2) 1080P@30fps 720P@60fps <b>Support TVI input:</b> 8MP@15fps(channel1-channel2) 5MP@20fps 4MP@30fps 3MP@20fps (channel1 – channel2) 1080P@30fps 720P@60fps <b>Support CVI input:</b> 8MP@15fps(channel1-channel2) 5MP@20fps

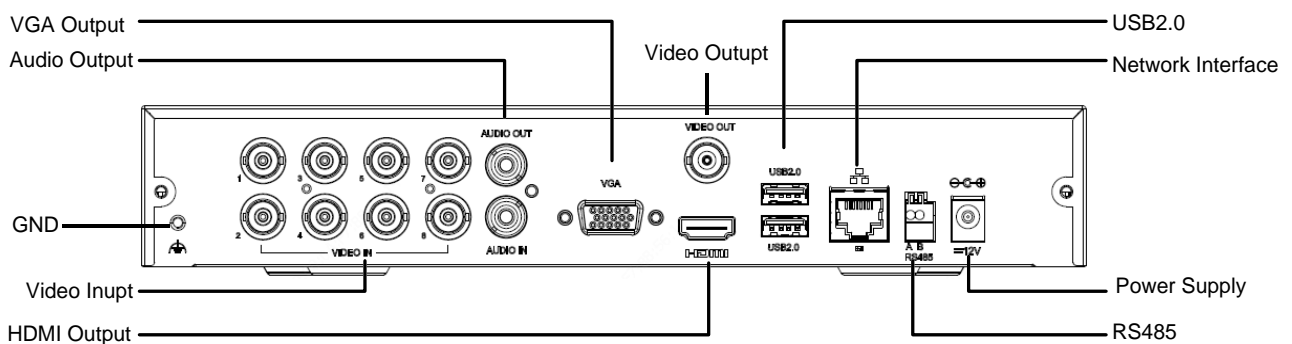
	4MP@30fps 1080P@30fps 720P@30fps <b>Support CVBS input</b>	4MP@30fps 1080P@30fps 720P@30fps <b>Support CVBS input</b>
Audio Input	1-ch, RCA	1-ch, RCA
Two-way Audio	1-ch, RCA	1-ch, RCA
Channel Associated Audio	1-ch,RCA	1-ch,RCA
<b>Network</b>		
Incoming Bandwidth	48Mbps	56Mbps
Outgoing Bandwidth	60Mbps	64Mbps
Remote Users	128	
Protocols	TCP/IP, P2P, UPnP, NTP, DHCP, PPPoE	
<b>Video/Audio Output</b>		
CVBS Output	1-ch, BNC	1-ch, BNC
VGA Output	1920x1080p/60Hz, 1920x1080p/50Hz, 1600x1200/60Hz, 1280x1024/60Hz, 1280x720/60Hz, 1024x768/60Hz	
HDMI Output	1920x1080p/60Hz, 1920x1080p/50Hz, 1600x1200/60Hz, 1280x1024/60Hz, 1280x720/60Hz, 1024x768/60Hz	1920x1080p/60Hz, 1920x1080p/50Hz, 1600x1200/60Hz, 1280x1024/60Hz, 1280x720/60Hz, 1024x768/60Hz
Audio Output	1-ch, RCA	
Synchronous Playback	4-ch	8-ch
<b>Encoding</b>		
Recording Resolution	8MP Lite/5MP Lite/4MP Lite /3MP/1080P/960P/720P/960H/4CIF/CIF	8MP Lite/5MP Lite/4MP Lite /3MP/1080P/960P/720P/960H/4CIF/CIF
Recording Frame Rate	<b>Main stream:</b> 8MP Lite@8fps(channel1 ) 5MPLite@12fps 4MP Lite@15fps 3MP@15fps(channel1) 2MP@15fps 720P@30fps <b>Sub stream:</b> D1@30fps(Max)	<b>Main stream:</b> 8MP Lite@8fps (channel1-channel2) 5MP Lite@12fps 4MP Lite@15fps 3MP@15fps(channel1 – channel2) 2MP@15fps 720P@30fps <b>Sub stream:</b> D1@30fps(Max)
<b>Hard Disk</b>		
SATA	1 SATA interfaces	
Capacity	Up to 6TB for each HDD	
<b>External Interface</b>		
Network Interface	1RJ45 10M/100M self-adaptive Ethernet Interface	
USB Interface	Rear panel: 2 x USB2.0	

Serial Interface	1 x RS485
<b>General</b>	
Power Supply	12V DC Power Consumption: ≤ 8 W( without HDD )
Working Environment	-10°C ~ + 55°C ( +14°F ~ +131°F ), Humidity ≤ 90% RH(non-condensing)
Dimensions(W×D×H)	260mm ×240mm× 46mm (10.2" × 9.4"×1.8")
Weight ( without HDD )	≤1.1 Kg ( 4.19lb )

## Dimensions



## Rear Panel





**Zhejiang Uniview Technologies Co., Ltd.**

Building No.10, Wanlun Science Park, Jiangling Road 88, Binjiang District, Hangzhou, Zhejiang, China

Email: [overseasbusiness@uniview.com](mailto:overseasbusiness@uniview.com); [globalsupport@uniview.com](mailto:globalsupport@uniview.com)

<http://www.uniview.com>

©2019 Zhejiang Uniview Technologies Co., Ltd. All rights reserved.

\* Product specifications and availability are subject to change without notice.