

VT-TPTZ25HRA-2PNS

Transcendent Gen III 2 MegaPixel 25x IP PTZ with A.I.
Powered Facial Recognition and Auto-Tracking



KEY FEATURES

- 1/2.8" 2 MegaPixel Progressive Scan Starlight CMOS Sensor
- Up to 2.0 MegaPixel (1920 x 1080) Resolution @ 30fps
- Ultra High-Speed Pan / Tilt / Zoom with 25x Optical Zoom Lens (4.8-120mm Focal Length)
- Smart IR with up to 500' (150m) IR Range
- Real-Time Auto Zoom Tracking: Transcendent GEN III IP PTZ Cameras feature the most advanced PTZ Auto-Tracking available, powered by A.I.!
- AI Facial Recognition: Transcendent GEN III Advanced Analytics deliver improved Facial Recognition, with up to 95% accuracy!
- Intelligent Car Counting & Tracking: Intelligent tracking is capable of counting people, cars, and bicycles entering and exiting the camera's view
- Deep-Learning Engine supporting Face Recognition (FR), up to 15 human faces/sec (max)
- True 120dB WDR (Wide Dynamic Range)
- Intrusion Detection, Line Crossing, Region Entrance / Exit, Scene Change, Target Counting, Supports Alarm Triggering by Human or Vehicle
- Smart H.265 / H.264 / MJPEG Compression
- True Day/Night with ICR Cut Filter with Auto/Manual Gain Control
- Built-in Micro SD Card Slot, Supporting Local Recording up to 256GB microSD/SDHC/SDXC
- ONVIF Compliant with Zero Configuration
- IP66 Ingress Protection
- DC12V or PoE+ (802.3.at, class 3)
- 1 RJ45 10M/100M Adaptive Ethernet (Supports PoE 802.3.at)
- Optional Pendant, Semi-Flush, Corner, Pole, and Wall Mounts Available [See rear page]
- 3-Year Warranty



TRANSCENDENT "GEN III" SERIES PTZ IP CAMERA WITH AI POWERED FACIAL RECOGNITION AND AUTO-TRACKING!

The Transcendent VT-TPTZ25HRA-2PNS High-Speed IP Pan / Tilt / Zoom (25X Optical) Camera with Programmable (Smart) Auto-Tracking features a Deep-Learning Engine with a powerful Computer Vision and Digital Signal Processor. This enables it to switch among multiple scenarios including Face Recognition (FR), and Vehicle / Human Detection. Up to 15 targets (vehicle, human, 2-wheel) can be simultaneously detected with real-time Auto Zoom tracking. It also features IP66 Ingress Protection and Smart IR with a range of up to 500'.

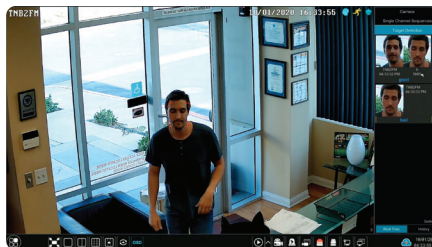


THE TRANSCENDENT "GEN III" SERIES DELIVERS ADVANCED A.I. TECHNOLOGY:



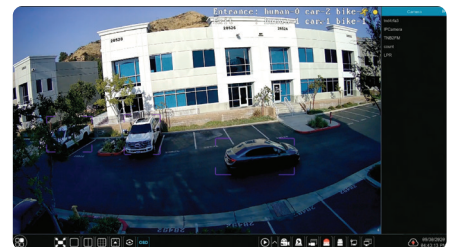
REAL-TIME AUTO ZOOM TRACKING

Transcendent GEN III IP PTZ Cameras feature the most advanced PTZ Auto-Tracking available, powered by A.I.!



AI FACIAL RECOGNITION

Transcendent GEN III Advanced Analytics deliver improved Facial Recognition, with up to 95% accuracy!



INTELLIGENT CAR COUNTING

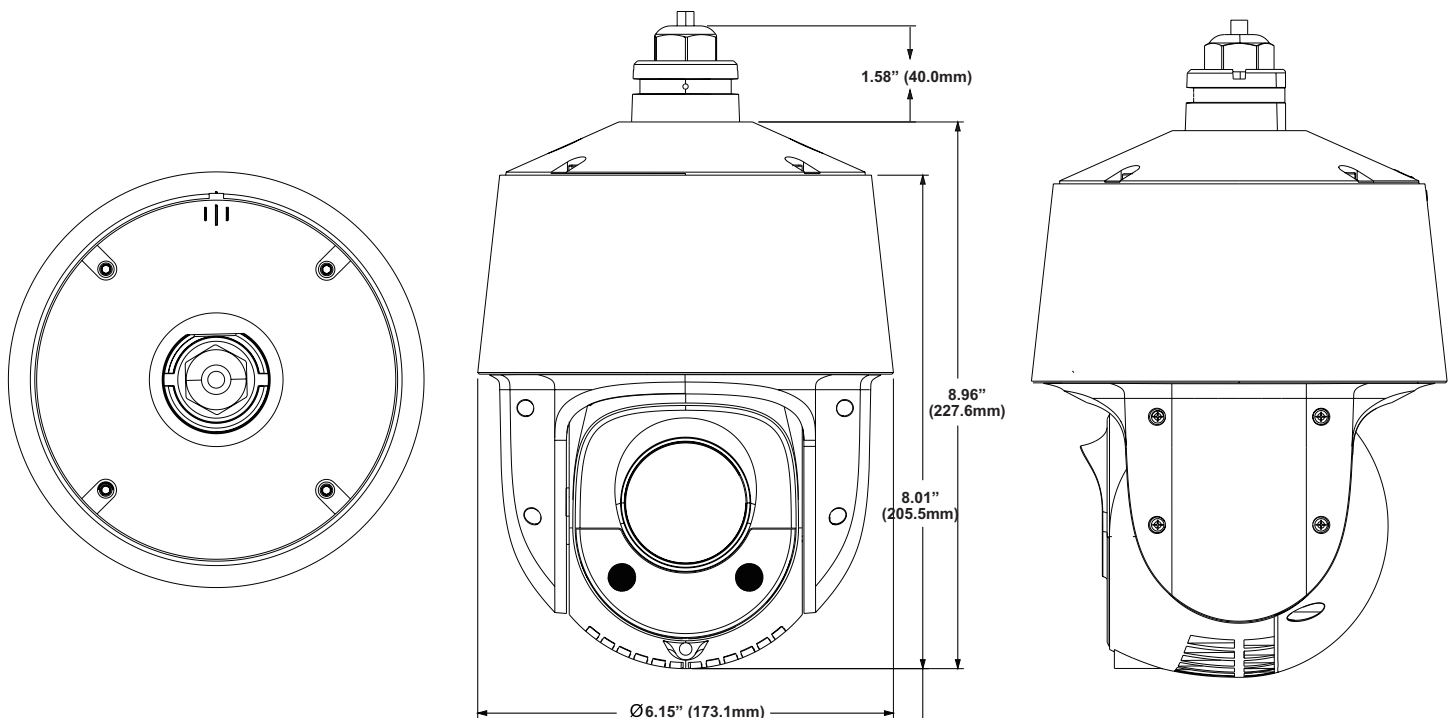
Intelligent tracking is also capable of counting people, cars, and bicycles entering and exiting the camera's view

SPECIFICATIONS

Image Sensor	1/2.8 Progressive Scan Starlight CMOS
Resolution	2.0 MegaPixel (1920 x 1080) [1080p] Resolution @ 30fps
Min. Illumination	0.005 Lux @ (F1.65 AGC On) B/W 0.001 Lux @ (F1.5 AGC On); 0 Lux w/IR
White Balance	Auto / Manual / Indoor / Outdoor
Day / Night	True Day/Night via ICR Cut Filter with Auto/Manual Gain Control
Shutter Speed	1/1s ~ 1/100,000s
IR Type / Distance	Smart IR - Up to 500' IR Range (150M)
Lens	4.8~120mm Lens (25x Optical Zoom) w/3.6s Zoom Speed, and 16x Digital Zoom
Field of View (FOV)	Horizontal: 57.6°~2.5° / Vertical: 34.4°~1.4° / Diagonal: 64.5°~2.9°
Focus Mode	Auto / Manual
WDR	120dB
Pan Range / Speed	360° Endless, Configurable from .1°/s ~ 180°/s; Preset speed: 80°/s
Tilt Range / Speed	-5°~90° / Configurable, from 0.1/s~80°/s, Preset speed: 80°/s
PTZ Features	Proportional Zoom, Pwr-Off Memory, 3D Position, PTZ Position Display
Preset / Cruise	360 / 8 Cruises, Up to 16 Presets for Each Cruise
Tracks	4 Tracks, Record Time Over 3 Minutes for Each Track
Scheduled Task	Preset / Cruise / Track / Random Scan / Boundary Scanning / Dome Reboot
Video Compression	Smart H.265 / H.265 / H.264 / MJPEG
Main Stream	30fps @ 1920×1080, 1280×720
Sub Stream / Third Stream	Sub: 30fps @ 1280×720, 704×480, 352×240 / Third: 30fps @ 704x480, 640×480, 352×240
Deep Learning Engine	Deep-Learning Engine supporting Face Recognition (FR), Human/Vehicle Detection, and up to 15 human faces/sec (max)
Smart Auto Tracking	Auto Tracking (supports tracking specified target types such as human and vehicle), Manual Tracking
Basic Event Detection	Motion detection, video tampering alarm, exception (network disconnected, IP address conflict, SD card full, SD card error), defocus detection
Smart Event Detection	Intrusion, Line crossing, Region Entering/Exiting, Support alarm triggering by specified target types (human/vehicle) Filtering out mistaken alarm caused by target types, such as leaf, light, animal, flag
Digital Image Enhancement	16x Digital Zoom, 3D DNR, BLC, HLC, Electronic DeFog, EIS, Logo/Picture overlay
D.O.R.I.	Detect (8px/ft): 5250', Observe (19px/ft): 2080', Recognize (38px/ft): 1050', Identify (76px/ft): 525'
Privacy Mask	4 Programmable Privacy Masks
Image Setting	Flip, Mirror, Saturation, Brightness, Sharpness, AGC, and AWB adjusted by client software / browser
Alarm Linkage	Alarm Actions, Memory Card Video Record, Trigger Recording, Upload to FTP/Mem. Card, Send Email

SPECIFICATIONS (Continued)

Protocols	HTTP/S, IPv4/IPv6, 802.1x, QoS, FTP, SMTP, UPnP, SNMP, DNS, DDNS, NTP, RTSP, RTCP, RTP, TCP/IP, UDP, IGMP, ICMP, DHCP, PPPoE
Live View Connections	Up to 6 Simultaneous Live View Connections
User/Host	Up to 16 users, 3 levels: Administrator, Advanced and Normal Users
Security Measures	User Authentication (ID and PW), Host authentication (MAC address); HTTPS encryption., IEEE802.1x port-based net account control; IP address filtering
Web Browser	Internet Explorer (IE) 8-11
API	ONVIF, Third-Party Integration
CVBS (BNC)	NA
RS485	NA
On-Board Storage	Built-in microSD/SDHC/SDXC card slot, up to 256GB
Network Interface	1 RJ45 10M/100M Adaptive Ethernet (Support PoE 802.3.at)
Thermal Management	Internal Heater and Fan
Lens Wiper	NA
Working Environment	-22°F~131°F (-30°C~55°C), 95% RH
Weather Rating / Protection	IP66, 4000V (Lightning, Surge, and Voltage Transient Protection)
Power	12VDC @ 3amps, PoE+ (22W with IR on, Heater on, Fan working) **Power Supply Included
Dimensions and Weight	6.8" × 9.7" (173mm × 247mm), NET: 4.85lb (2.2kg) / SHIPPING: 7.28lb (3.3kg)



OPTIONAL MOUNTS & POPULAR ACCESSORIES



VT-TPT20HR-FM
Semi-flush Mount for
VT-TPTZ25HRA-2PNS



VT-TPT23HR-WM
Optional Universal Wall
Mount for Transcendent
IP PTZs, including
VT-TPTZ25HRA-2PNS



VT-TPT20HR-PM
Ceiling/Pedestal Mount
for VT-TPTZ25HR-2PNS
& VT-TPTZ30HRA-4PNS



VT-TPLMT
Transcendent Universal
Pole Mount Adapter
(reqs. VT-TPT23HR-WM)



VT-TCNMT
Transcendent Universal
Corner Mount Adapter
(reqs. VT-TPT23HR-WM)



VT-POE60
60 Watt POE Mid-Span Injector, 4-Pair Compliant



**Pair With Transcendent IP NVRs, HDA
DVRs, Bridge or Spire Series Recorders!**

*Transcendent IP NVRs available in 4, 8, 16, 32,
64 and 128 Channels, and HDA DVRs in 4, 8,
16, 32 Channels*