

WDL-6400MFM

Color 6.4" Flush Mount LCD Monitor

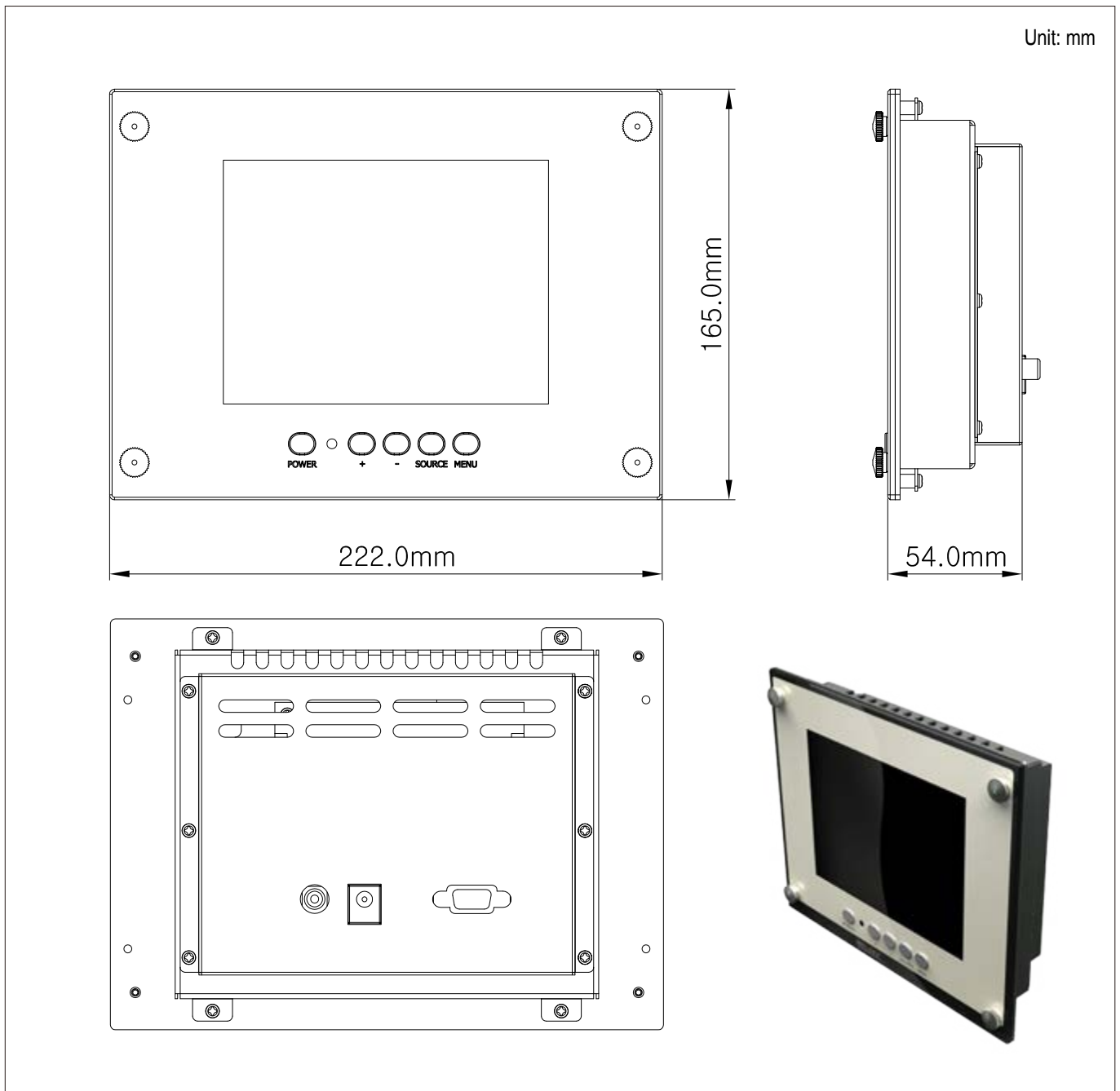
- High resolution 640 x 480
- Thin cross section - less than 2.5" deep panel
- 262,144 colors for true color rendition
- Multiple inputs - composite video, D-sub
- Contrast ratio of 600:1
- Brightness of 700cd/m²
- Viewing angle - 160° (H) x 140° (V)
- On-screen menu display for feature and video adjustments
- Power supply included



Specification

Display type	Active matrix color TFT LCD
Screen size	6.4" (diagonal)
Viewing size (mm)	132.48 (H) x 99.36 (V)
Viewing angle	Up: 70° / down: 70° / right: 80° / left: 80°
Pixel pitch (mm)	0.207 x 0.207
Wall mounting	Yes
Brightness	700cd/m ²
Resolution	640 (H) x 480 (V)
Display color	262K colors
Pixel format	RGB stripe
Interlace	Digital 6Bit
Video input	Analog RGB (0.7Vp-p), composite (0.7Vp-p)
Contrast ratio	600:1
AC / DC adaptor	AC100 ~ 240, 60/50Hz, DC12V/3.0A ~ 4.0A
Plug & play level	VESA DDC 1/2B
I/O connector	DC power in (DC12V), VGA 15Pin D-sub
System type	NTSC / PAL / SECAM / auto
Power requirements	30W, saving mode: 5W
Weight (net)	2lbs
Size (WxHxD)	222mm x 165mm x 54mm

Dimension



LCD	6.4"	700 (cd/m ²)	600:1	640 X 480	5W	12V
-----	------	-----------------------------	-------	-----------------	----	-----