



FR1500A

Fingerprint reader

FR1500A is a stylish single-gang flush-mounted fingerprint reader designed exclusively for ZKTeco Atlas Bio (x60 Series) panels.

FR1500A features



Sleek Stylish Form Factor:

Flush-mounted stainless steel enclosure with slim and attractive design is ideal for both indoor & outdoor installations where aesthetics are very important.



Communication:

FR1500A connects only via RS485 to Atlas Bio (x60 Series) panels. FR1500A does not support Wiegand.



Easy Operation:

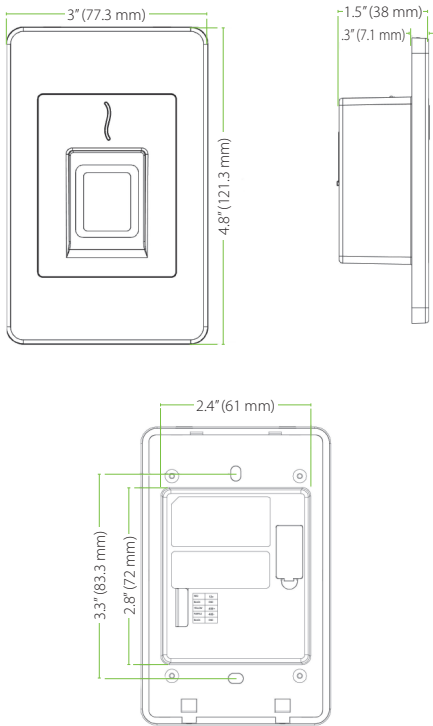
Once a user places their finger on the FR1500A their fingerprint is subsequently matched by the Atlas Bio (x60 Series) panel. FR1500A also provides Visual indication for acceptance/rejection of the fingerprint (and/or prox card) of the users.



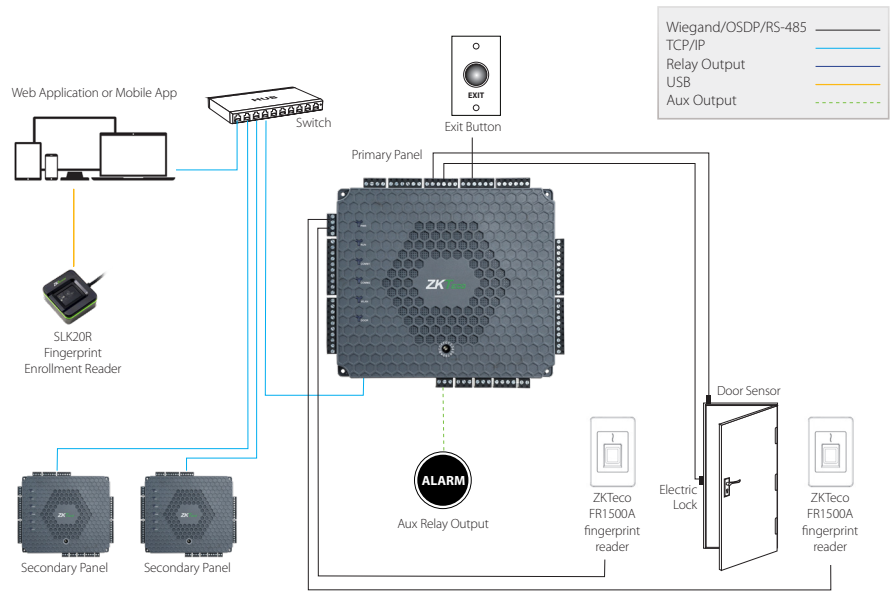
Standard Reader:

- SilkID fingerprint sensor
- Built-in ZKTeco prox card reader
- Options for HID and Mifare card readers

Dimensions



Installation with Atlas Bio (x60 Series) panel



Specification

Communication

RS485 only to Atlasx60 panels

Power:

12V DC, 1A

Environment:

Operating Temp: 14° to 113° F (-10° to 45° C)

Operating Humidity: 20% to 80%

Optional Card Reader:

Mifare Card, HID 125 kHz card, HID iClass card

Dimensions

Length: 4.8 inches (121.3 mm)

Width: 3 inches (77.3 mm)

Depth: .3 inches (7.1 mm) exposed

1.5 inches (38.9 mm) behind wall

Part Numbers

FR1500A: with ZKTeco ID card reader

FR1500A-Mifare: with Mifare card reader

FR1500A-HID: with HID 125 kHz card reader

FR1500A-iClass: with HID iClass card reader

****For single-gang installations be sure to additionally order a ZKTeco single-gang adapter**