

The Pyle 'PLVW' LCD Monitor Display Screens are universal and can be used in a wide variety of applications. Mount the versatile video display in your vehicle, at home or in the office. They are perfect for custom installations and can be used for convenient safety surveillance monitoring, vehicle media entertainment, as an optional second monitor expansion and more. The slim-styled panel design allows for simple HD high-resolution video display ability wherever needed. Connect your system using the inputs: (2) RCA video, (1) HDMI and (1) VGA connector; it also features RCA audio (L/R) connector jacks for connection to an external sound system. Enjoy the convenience of widescreen HD video display with the Pyle 'PLVW' Universal Monitor Systems.

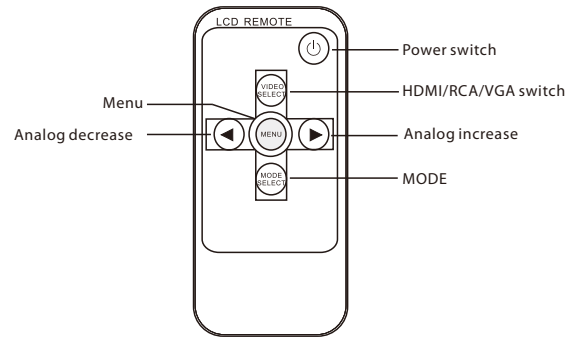
FRONT PANEL

1. **MODE**
Switch between the video inputs. (HDMI, RCA1, RCA2, VGA)
2. **Analog decrease**
Forward select setting the items or analog decrease menu.
3. **MENU**
Open the menu to adjust the units display settings.
4. **Analog increase**
Backward select setting the items or analog increase menu.
5. **POWER**
Turn the unit on and off.
6. **IR**
Remote control receiver.

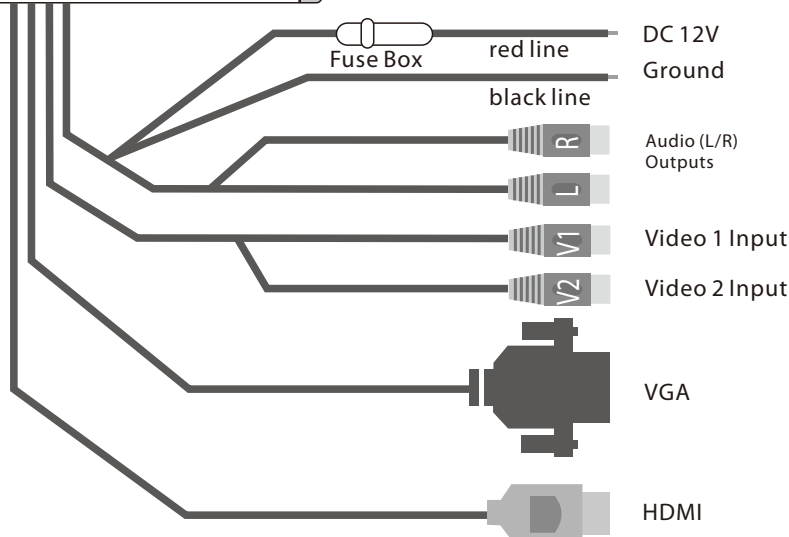
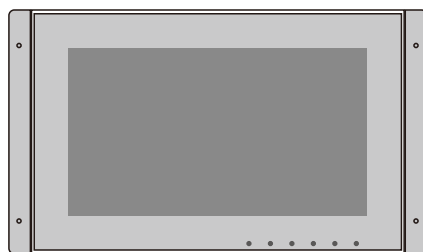
Please read this manual thoroughly. Before using this product and keep it well for future reference.



REMOTE



WIRING



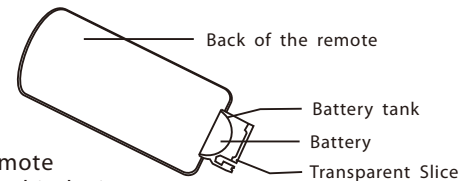
Power supply do not meet the polarity, otherwise it will damage insurance tube. (Fuse specifications: 3A or 5A)

VGA supported video modes: Maximum matching resolution 800 x 480pixel

HDMI supported video modes: 1080P/1080I/720P/480P/576P

REMOTE CONTROL BATTERY

1. Always use new batteries when relacing the old set.
2. Do not attempt to charge, short-circuit, disassemble, heat or burn used batteries.
3. Battery replacement is necessary when remote control acts sporadically or stops operating this device.
4. Do not place objects between the remote receiver.
5. If the monitor does not operate even when operating the remote control from a close range, it is time to replace the batteries product number:(CR2025)



MENU OPERATION

Use the unit to achieve the desired settings.

1. Press the MENU button on the unit to bring up the on-screen picture control menu.
2. Select the desired menu by pressing the Remote left/right button on the unit to choose BRIGHTNESS-CONTRAST-HUE-SATURATION-LANGUAGE-SOURCE-RESET-EXIT. Press the Remote MENU button to enter into the control menu.
3. Adjust the current settings with the left/right button on the unit, then press the MENU button on unit to achieve the desired settings and return to the upper level of the menus.

Notice: in different mode menu is slightly different, the actual shall prevail.

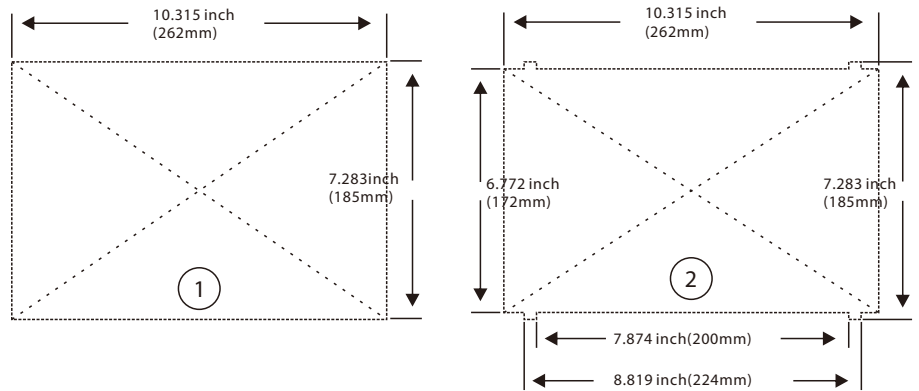
SPECIFICATIONS

Type : TFT LCD
 PiXS : 800x(R.G.B)x480
 Display format: 16:9
 System :PAL/NTSC
 Dual Video Inputs
 HDMI Input
 VGA Input
 Power Supply : DC 12V
 Power consumption : ≤ 4.5 W
 Operation temperature : 5°C ~ 55°C
 Storage temperature : -10°C ~ 75°C

1. Drive mounting holes

According to the following size to draw a cutting line on the wall, installed by digging out a hole. The depth of the hole is larger than 36MM.

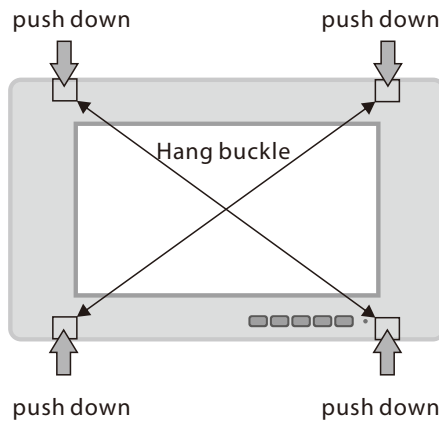
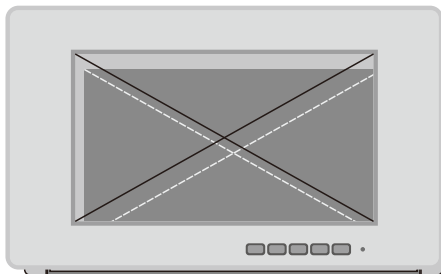
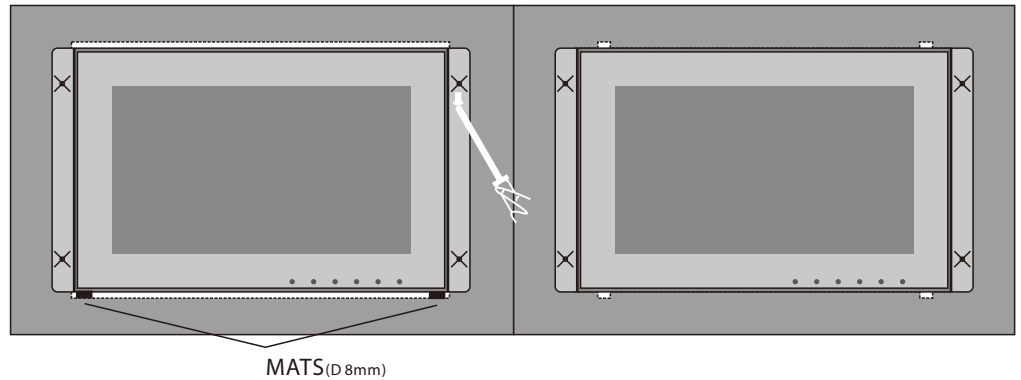
Note: open hole, the level of attention, so cannot be installed horizontally, and watch if wires need to be placed in the hole, increasing the depth of the hole.



2. Install the main

Connect the lines, place the subjects in mounting hole, upper and lower case-preserving Gap, then with 4 screws.
Screw specifications: 4mm X 12mm or 4mm X (12+☆)mm

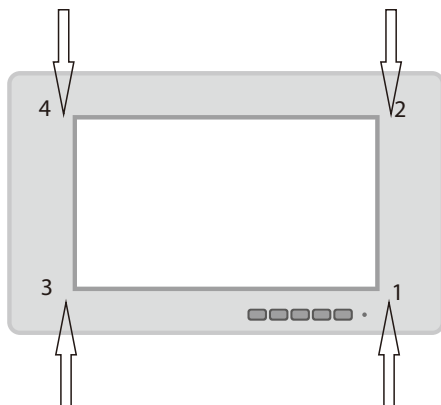
Note: the main level.



3. Panel mounting

The display area is aligned with the position of the panel in the frame body, a little hard pressed to hang buckle at the surface of the panel and the body fit.

Note: the frame display area entirely within the neat, well hang buckle clasp firmly.



4. Panel removal

Use a screwdriver or other flat tool, slightly hard to pry the bottom right corner(part 1), bottom right hang buckle will depart from the main body of the Panel; Then use the same method to open the panels hang buckle 2,3,4, you can remove the Panel.

Note: when the top or bottom to pry, bigger also can make up button broke off.

Warning: This product is a liquid crystal display, install and watch the position of the horizontal line around, watch so as not to affect the image quality.

visit www.PyleAudio.com for more information