

PX-13/23/34



Family of Piezoelectric Switches Installation Manual

1. Introduction

Rosslare's PX-13/23/34 family of piezoelectric buttons are heavy duty, non-sparking, non-magnetic, corrosion resistant, illuminated, anti-vandal, and designed for both indoor and harsh weather outdoor use.

The buttons feature solid state Piezoelectric Switch Technology generating a dry contact, normally open (N.O.) pulse at the touch of a finger, with no physical movement or moving parts.

The PX-13/23/34 series features a virtually unlimited lifespan of over 50 million uses, which is the ideal benefit of piezoelectric technology. In addition, they are tested to be waterproof (IP68 rating) and work in harsh weather and environmental conditions.

PX-13 – Piezoelectric Switch	PX-23 – Piezoelectric Switch with LED Indicator	PX-34 – Piezoelectric Toggle Switch with Controlled Light Ring
		

2. Technical Specifications

2.1 Electrical Characteristics

Model	PX-13	PX-23	PX-34
Switch Voltage	5–30 VDC/VAC		
Switch Current	1 A	1 A	100 mA
Power Supply Voltage	N/A	12 VDC	12 VDC*
Contact Resistance	0.1 Ohm		16 Ohm
Impulse Time N.O.	> 50 ms		
Finger Pressure on Button	0.5 kg (17.6 oz) for 5 N		
Button Life	Over 50 million cycles		

*The PX-34 must be connected to a power supply to operate.

2.2 Environmental Specifications

Model	PX-13	PX-23	PX-34
Operating Standard	Meets IP68		
Operating Environment	Outdoor use (waterproof)		
Operating Temperature Range	-30°C to 60°C (-22°F to 140°F)		
Storage Temperature Range	-30°C to 70°C (-22°F to 158°F)		
Operating Humidity Range	10% to 90%		

2.3 Physical Specifications

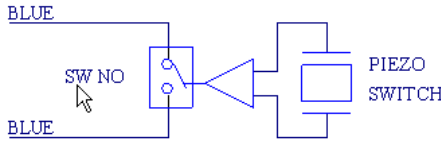
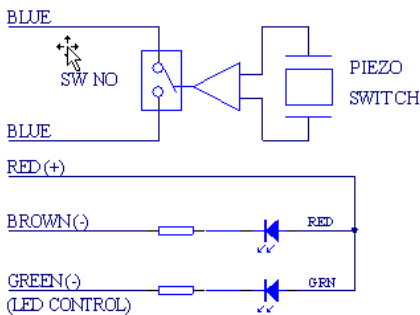
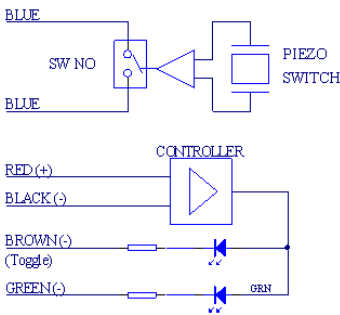
Model	PX-13	PX-23	PX-34
Height	19.5 mm (0.8 in.)		
Diameter	29.5 mm (1.2 in.)		
Standard Thread	22 mm (0.9 in.)		
Standard Wires	24 AWG Wire (UL1007)		
Pigtail Length	280 mm (11.0 in.)		
Weight	22 g (0.8 oz)		
Housing Colors	black, natural, gold, green, red, blue, white		

2.4 Wiring

Model	PX-13	PX-23	PX-34
Switch output	2 x blue		
12 VDC input for LED power supply	N/A**	red	red
Ground	N/A**	N/A	black
LED Control Input – Green LED	N/A**	green	green
LED Control Input – Red LED	N/A**	brown	brown (toggle control)

** It is not required to distinguish the polarity of the wire out.

3. Wiring Diagrams

PX-13 – Piezoelectric Switch	PX-23 – Piezoelectric Switch with LED Indicator	PX-34 – Piezoelectric Toggle Switch with Controlled Light Ring
		

Limited Warranty

The full ROSSLARE Limited Warranty Statement is available in the Quick Links section on the ROSSLARE website at www.rosslaresecurity.com.

Rosslare considers any use of this product as agreement to the Warranty Terms even if you do not review them.

Contact Information

Asia Pacific, Middle East, Africa

Rosslare Enterprises Ltd.
Kowloon Bay, Hong Kong
Tel: +852 2795-5630
Fax: +852 2795-1508
support.apac@rosslaresecurity.com

United States and Canada

Rosslare Security Products, Inc.
Southlake, TX, USA 76092
Toll Free: +1-866-632-1101
Local: +1-817-305-0006
Fax: +1-817-305-0069
support.na@rosslaresecurity.com

Latin America

Rosslare Latin America
Buenos Aires, Argentina
Tel: +54-11-4001-3104
support.la@rosslaresecurity.com

Europe

Rosslare Israel Ltd.
Rosh HaAyin, Israel 48091
Tel: +972 3 938-6838
Fax: +972 3 938-6830
support.eu@rosslaresecurity.com

China

Rosslare Electronics (Shenzhen) Ltd.
Shenzhen, China
Tel: +86 755 8610 6842
Fax: +86 755 8610 6101
support.cn@rosslaresecurity.com

India

Rosslare Electronics India Pvt Ltd.
Tel/Fax: +91 20 40147830
Mobile: +91 9975768824
sales.in@rosslaresecurity.com

www.rosslaresecurity.com



• EN ISO 13485



ROSSLARE
SECURITY PRODUCTS