

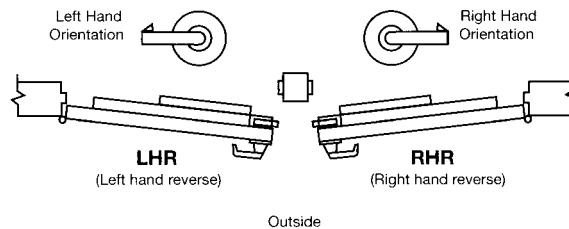
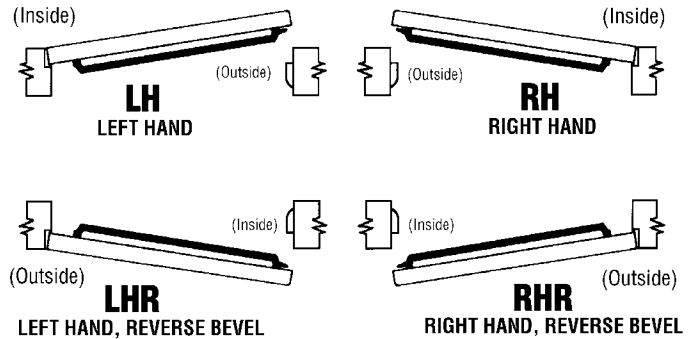
Exit & Panic Devices

Reversible rim type touch bar exit devices feature deadlatching, and are non-handed (right or left opening), and easily installed. Hex key dogging is used, and the devices are available with exterior access accessories such as ball or lever keyed locks. Each unit is packed with a rim strike, shim and a complete kit of fasteners, including mounting templates and easy to follow instructions. The units are also Underwriter Laboratories listed and several are 1½ hour fire rated.

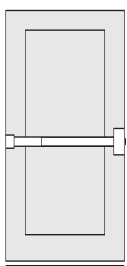


Hand of Door:

The Hand of Doors, including double acting, is determined from the Outside or Lock Side of the door to which it is applied. If standing outside, the door Opens From you it is a Regular Bevel door, if Opening Toward you, it is a reverse bevel door.

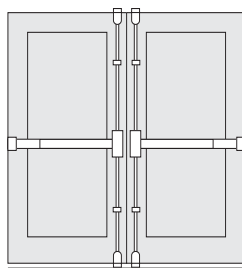


Single Door



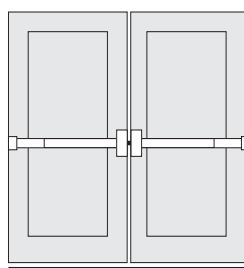
Vertical Rod type or Rim type. Surface applied 2 point lock. Surface application

Pair Doors Opening Same Direction



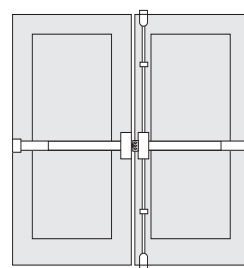
2 Vertical Rod type. Surface applied 2 point locking both doors. Each door active same direction. Do not use with overlapping astragal.

Pairs of Doors with Mullion



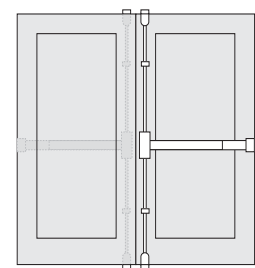
2 Horizontal type with Mullion. Two independent active doors with full double door openings when required. Same direction.

Pairs of Doors without Mullion



1 Vertical Rod and 1 Rim type. Both devices are surface applied. A coordinator and overlapping strike is recommended.

Pair Doors Opening Opposite Direction



2 Vertical Rod type. Double egress surface applied. 2 point locking both doors opposite directions.

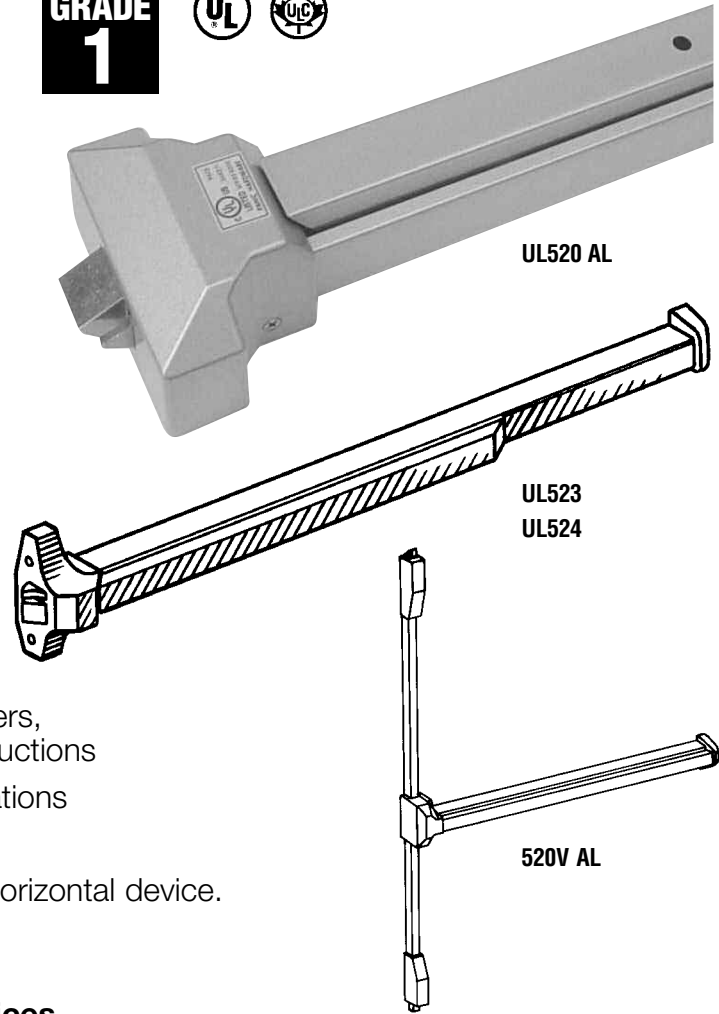
520 Series Exit Device



ANSI Grade 1 Reversible Rim Type

Horizontal reversible, rim type touch bar exit devices UL and KUL 520 series fit a 36" to 48" wide door, and can be used with a cylinder, keyed ball knob, or keyed lever, or a pull. Available in aluminum, or duranodic finishes. The UL520 devices are packed with latch and strike filler plates. Available in aluminum, and duranodic finishes may also be used with a cylinder, key ball knob, keyed lever, thumb piece trim, passage function trim, or a pull with rim cylinder.

- Deadlatching
- Non-handed for use on right or left opening doors
- Easy to install new or replacement
- Complete with rim strike latch, shim, fasteners, mounting templates and easy to follow instructions
- Vertical panic device for double door installations
- Vertical unit can be cut to size.
- Vertical Touch Bar is used with the UL520 horizontal device.
- Doggable



Contractor Quality® Touch Bar Panic Devices

Product Number	Description
----------------	-------------

Rim, Reversible Panic Device

UL520 AL - Grade 1	Aluminum Finish Adjustable for Doors 25"-36" Wide
UL520AL48 - Grade 1	Aluminum Finish Adjustable for Doors 25"-48" wide (can be cut)
UL520 DUR - Grade 1	Duranodic Finish Adjustable for Doors 25"-36" Wide
UL520 PB - Grade 1	Polished Brass Finish Adjustable for Doors 25"-36" Wide
UL520 DCH - Grade 1	Dull Chrome Finish Adjustable for Doors 25"-36" Wide
UL520SB - Grade 1	Satin Brass Finish for Doors 25"-36" Wide
SUL520AL - Grade 1	Aluminum Finish adjustable for Doors 25"-36" Wide with sex bolts
SUL518AL - Grade 1	Aluminum Finish adjustable for Doors 25"-36", UL Panic less dead latch with sex bolts
UL523 AL	Aluminum Finish for Doors 25"-36" Wide — 2/3 Push Bar Length
UL523 DUR	Duranodic Finish for Doors 25"-36" Wide — 2/3 Push Bar Length
UL524 AL	Aluminum Finish for Doors 25"-48" Wide — 2/3 Push Bar Length
UL524 DUR	Duranodic Finish for Doors 25"-48" Wide — 2/3 Push Bar Length

Panic Device and Keyed Ball Knob

KUL520 AL - Grade 1	Aluminum Finish with Ball Knob Lockset Packed Together
SKUL520AL - Grade 1	Aluminum Finish with Ball Knob Lockset Packed Together and sex bolts

Vertical Touch Bar Fits 8' Standard Door

520V AL - Grade 1	Aluminum Finish for Double Door Installation
520V DUR - Grade 1	Duranodic Finish for Double Door Installation
520V PB - Grade 1	Polished Brass Finish for Double Door Installation
520V DCH - Grade 1	Dull Chrome Finish for Double Door Installation
520V SB - Grade 1	Satin Brass Finish for Double Door Installation
520V RC - Grade 1	Rod Extenders to fit Doors up to 10'

52000 Series Exit Device

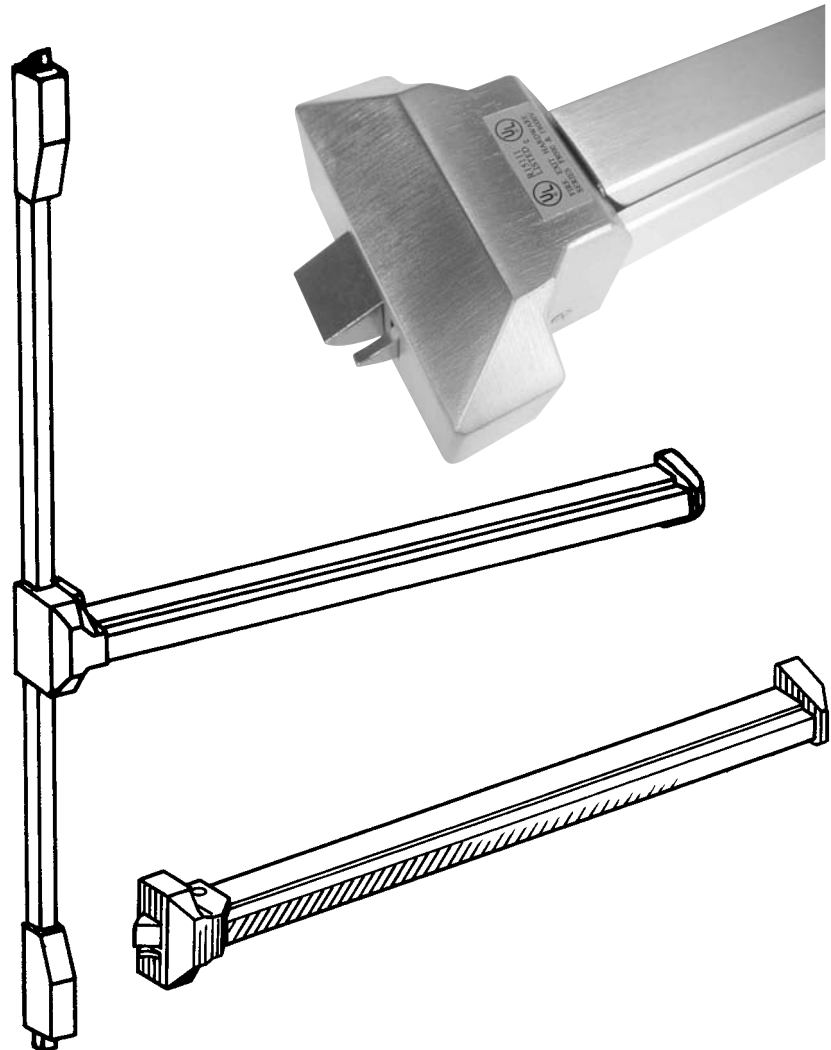


ANSI Grade 1 Reversible Rim Type

These top performing UL fire rated panic devices are made for high traffic areas such as hospitals, schools and other public use buildings. An ideal companion product for ADA compliant installations. Available in aluminum finish, may also be used with a cylinder, keyed ball knob, keyed lever, thumb piece trim, passage function trim, or a pull with rim cylinder.

The devices are UL listed and fire rated (1½ hour)

- Aluminum Body with a Stainless Steel Head and Tailpiece
- PB = US3 Finish
- Dogging device is not available on fire-rated device



1½ Hour Fire Rated Reversible Rim Type Contractor Quality® Touch Bar Exit Devices

Product Number	Description
----------------	-------------

Fire Rated Panic Devices

52029	Horizontal Type Aluminum 1½ hr. UL Fire Listed
5202948	48" Horizontal Type Aluminum 1½ hr. UL Fire Listed
52029SPA	Horizontal Type Aluminum 1½ hr. UL Fire Listed
52029SPA48	48" Horizontal Type Aluminum 1½ hr. UL Fire Listed
52031	Vertical Type Aluminum 1½ hr. UL Fire Listed
52031SPA	Vertical Type Aluminum 1½ hr. UL Fire Listed
52031SPA48	48" Vertical Type Aluminum 1½ hr. UL Fire Listed
52028PB	Horizontal Type Polished Brass Finish UL Fire Listed
52030PB	Vertical Type Polished Brass Finish UL Fire Listed

Panic devices can be cut to size (horizontally or vertically)

Panic Devices

525 Series Exit Device

GRADE 1

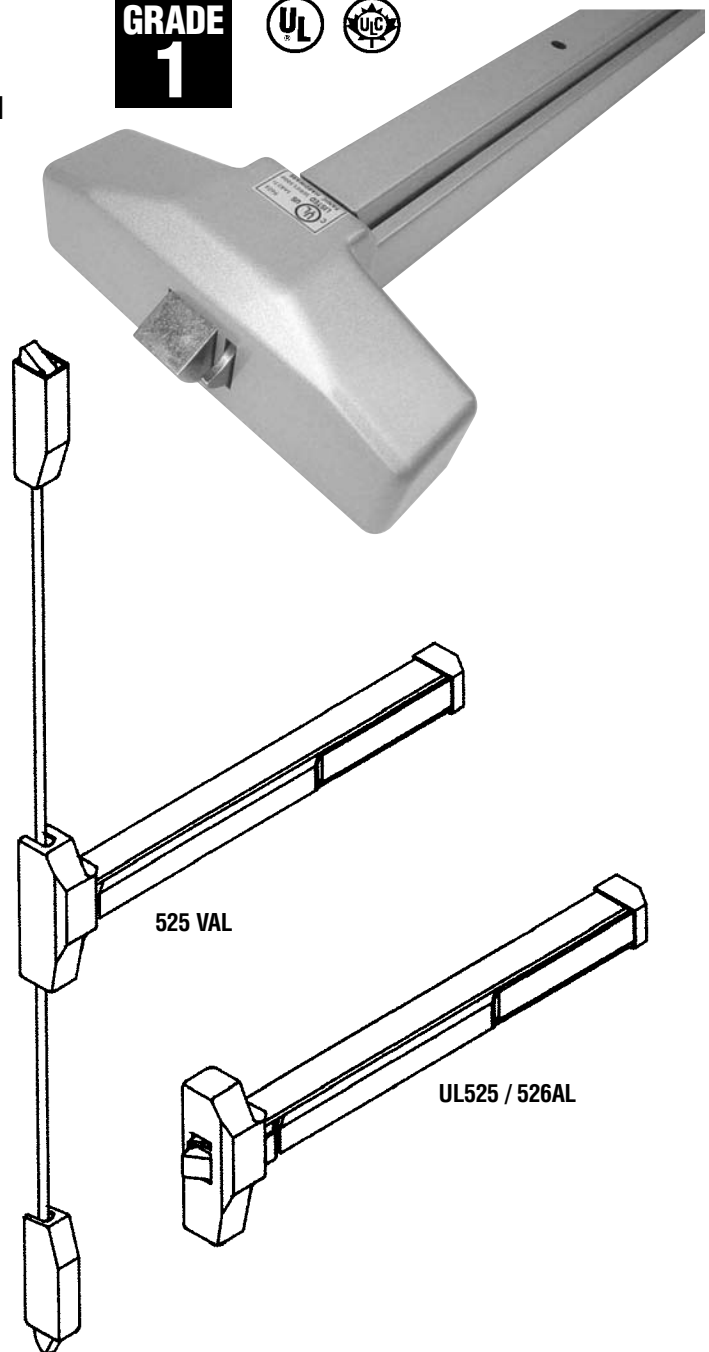


525 Series Panic Device with Square Head

Horizontal reversible, rim type touch bar exit devices UL525 series fit a 25" to 36" wide door, and UL526 fits a 25" to 48" wide door, and can be used with a cylinder, keyed ball knob or keyed lever or a pull. Available in aluminum, or duranodic finishes. Devices are packed with latch and strike filler plates.

Available in aluminum finish, may also be used with a cylinder, key ball knob, keyed lever, thumb piece trim, passage function trim, or a pull with rim cylinder.

- Deadlatching
- Non-handed for use on right or left opening doors
- Easy to install new or replacement
- Complete with rim strike latch, shim, fasteners, mounting templates and easy to follow instructions
- Vertical panic device for double door installations (see pages 40 and 41 for accessories)
- Vertical unit can be cut to size. Fits doors up to 96"
- UL listed are Doggable
- ANSI Grade 1 Approved



ANSI Grade 1 525 Series Panic Device

Product Number	Description
----------------	-------------

Rim Reversible Panic Device

UL525ALAluminum Finish Adjustable for Doors 25"-36" wide
 UL526ALAluminum Finish for Doors 25"-48" wide

Vertical Touch Bar

525VAL.....Aluminum finish for Double Doors Installation

Fire Rated Panic Devices US26D Finish

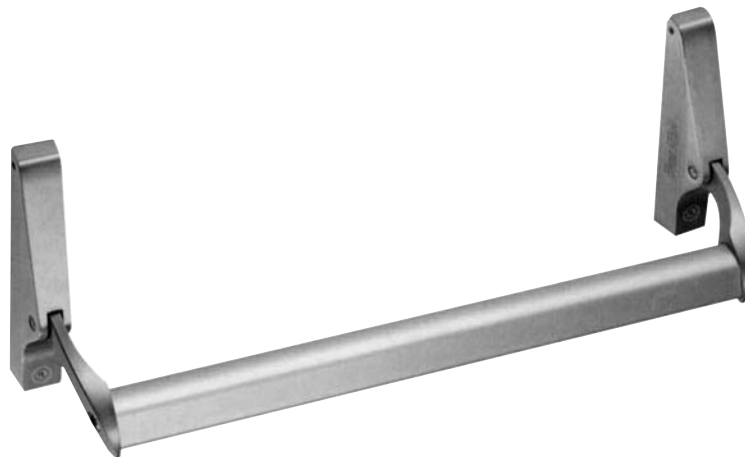
52529Horizontal Type 1½ hr. UL Fire Listed
 52531Vertical Type 1½ hr. UL Fire Listed
 525VEXT.....Extension Kit for 10' Door

540 Series Narrow Stile Exit Device

This premium, heavy-duty crossbar device is constructed of true architectural materials and will provide many years of quiet and dependable service. Available both as RIM and Concealed Vertical Rod models for application to narrow, medium and wide stile aluminum storefront doors. Ideal for reliable, maintenance-free service in high abuse areas, the #540V and the #UL540 are anodized (not painted). They exceed all life safety code requirements and are always available in aluminum (clear) or dark bronze (duranodic) for immediate shipment from inventory. Rim and Mortise Cylinders are also available and can be supplied.

The UL 540 is operated by a standard rim cylinder and is surface mounted. It features the roller strike and includes the standard function which allows the key to be removed in either the locked or unlocked position. As an option, the UL540 is offered with the night latch function, which allows the key to be removed from the cylinder only if the cylinder is in the locked position.

- Designed for application to a single or a pair of aluminum doors (separated by a mullion)
- Dual dogging via pins (below housing) or by the outside
- Operated by a standard rim cylinder
- Cross bar is supplied in a 48" standard length and can be easily cut to any size
- Available in aluminum (clear) and Dark Bronze (duranodic) Anodized Finishes
- For outside trim use with mortise cylinder, Adams-Rite® cam and mounting pad



UL540 Horizontal Rim Exit Device

Product Number	Description
540AL.....	48" Exit Device in Aluminum (Clear) Finish – UL Listed with concealed vertical rods
540DUR.....	48" Exit Device in Dark Bronze (Duranodic) Finish – UL Listed with concealed vertical rods
UL540ALL.....	48" Exit Device in Aluminum (Clear) Finish Left Hand – UL Listed
UL540ALR.....	48" Exit Device in Aluminum (Clear) Finish Right Hand – UL Listed
UL540DURL.....	48" Exit Device in Dark Bronze (Duranodic) Finish Left Hand – UL Listed
UL540DURR.....	48" Exit Device in Dark Bronze (Duranodic) Finish Right Hand – UL Listed

Accessories (In Stock)

PH540AL.....	Pull Handle in Aluminum (Clear) Finish
PH540DUR.....	Pull Handle in Dark Bronze (Duranodic) Finish
CMP540VAL.....	Cylinder Mounting Pad for the #540VAL Device
CMP540VDUR.....	Cylinder Mounting Pad for the #540VDUR Device
540VTRE12.....	Top Rod Extender 12"
540VTRE24.....	Top Rod Extender 24"

Panic Device Accessories

Lever Keyed Locks

Series LL520 lever keyed locks, in dull chrome, are available for the UL520 UL523, UL524, UL 525, UL 526 and 520V panic exit devices. Fits a standard ANSI #161 cutout.



Product Number	Description
----------------	-------------

Entry Lever Trim

LL520 DCH.....	Dull Chrome Finish
LL520 PB	Polished Brass Finish
LL520 DCHIC*	Accepts IC Core Dull Chrome Finish
LL520 DUR.....	Duranodic Finish
LL520 SB	Satin Brass Finish
CSLL520DCH.....	Lever Trim w/Clutch

Solid Spindle Tailpiece

SLL520DCH	Lever Trim
SLL520DCHKU.....	Lever Trim
SLL520DCHKW.....	Lever Trim
SLL520DCHKX.....	Lever Trim
SLL520DCHKY.....	Lever Trim
SLL520DCHKZ.....	Lever Trim
RLL520DCH	SR Trim Style

Pull x Escutcheon Trim

EP520DCH	Dull Chrome Finish With Cylinder
EP520DCHLC.....	Dull Chrome Finish Less Cylinder

Product Number	Description
----------------	-------------

Storeroom Lever Trim

DLL520 DCH	Dull Chrome Finish
DLL520 DCHIC*	Accepts IC Core Dull Chrome Finish
DLL520 SB	Satin Brass Finish
RDLL520DCH.....	Polished Brass Finish
*Interchangeable core prep available	
*Core available See page 46	

Passage Lever Trim

NLL520 DCH	Dull Chrome Finish
NLL520DUR	Duranodic Finish
NL61DCH	Dull Chrome for UL523/UL 524
SNLL520DCH.....	Lever Trim w/Solid Spindle Passage Function

Parts

520 Plate	Backplate for KL520
520 Strike	Strike for UL520
520 VRC	Rod with Covers for 12' Door
523 Plate	Ansi Cylinder Plate for UL523

Ball Knob Keyed Locks

Series KL520 ball knob keyed locks for the UL520, UL523, UL524, and 520V panic devices are available from stock keyed differently or alike, and come in stainless steel material. It fits a standard ANSI #161 Door Prep.



Product Number	Description
----------------	-------------

Entry/Classroom

KL520 SS	Stainless Steel Keyed Different
KL520 SSKA	Stainless Steel Keyed Alike

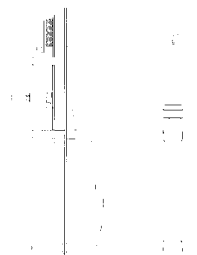
Storeroom

DKL520SS.....	Stainless Steel Keyed Different
---------------	---------------------------------

Thumbpiece Trim x Escutcheon

Product #	Description
-----------	-------------

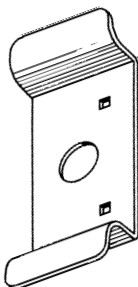
TP520ALL*	Thumbpiece Trim Aluminum LH
TP520ALL*	Thumbpiece Trim Aluminum RH
TP520DURL*	Thumbpiece Trim Duranodic LH
TP520DURR*	Thumbpiece Trim Duranodic RH



*Interchangeable core prep available – Core available see complete catalog. Handed – not field changeable.

Door Pull

The PC510 door pull has a cylinder hole, and fits any exit device. It comes in two finishes, aluminum and duranodic. The door pull covers a pre-existing ANSI #161 prepared door.

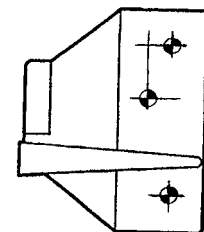


Product Number	Description
----------------	-------------

PC510 AL.....	Aluminum Finish
PC510 DUR.....	Duranodic Finish

Overlapping Strike

The overlapping strike for panic devices is used with a pair of doors, and is of zinc plated wrought steel.

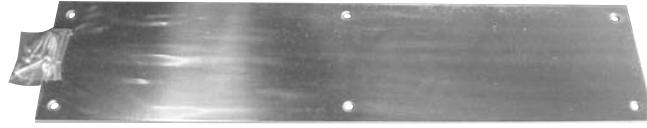


Product Number	Description
----------------	-------------

OS508	Zinc Plated For UL520/UL525/UL526
OSAL3	Zinc Plated For UL523/524

Kick Plates

Push-pull and kick plates save wear and tear, and dirt, on fragile door finishes. S. Parker has models in many materials, and finishes, all with matching screws. Choose from stainless steel, solid brass or aluminum in stock sizes 6" and 8" heights x 30" to 34" widths on kick plates.



Custom Kick plates are available, call for more information.

Stainless Steel KPSS Satin Finish US32D

High x Wide

4"	x	24"	26"	28"	30"	32"	34"	36"	38"	40"	42"	44"	46"	48"
6"	x	24"	26"	28"	30"	32"	34"	36"	38"	40"	42"	44"	46"	48"
8"	x	24"	26"	28"	30"	32"	34"	36"	38"	40"	42"	44"	46"	48"
10"	x	24"	26"	28"	30"	32"	34"	36"	38"	40"	42"	44"	46"	48"
12"	x	24"	26"	28"	30"	32"	34"	36"	38"	40"	42"	44"	46"	48"
14"	x	24"	26"	28"	30"	32"	34"	36"	38"	40"	42"	44"	46"	48"
16"	x	24"	26"	28"	30"	32"	34"	36"	38"	40"	42"	44"	46"	48"
18"	x	24"	26"	28"	30"	32"	34"	36"	38"	40"	42"	44"	46"	48"
20"	x	24"	26"	28"	30"	32"	34"	36"	38"	40"	42"	44"	46"	48"
22"	x	24"	26"	28"	30"	32"	34"	36"	38"	40"	42"	44"	46"	48"
24"	x	24"	26"	28"	30"	32"	34"	36"	38"	40"	42"	44"	46"	48"
30"	x	24"	26"	28"	30"	32"	34"	36"	38"	40"	42"	44"	46"	48"
36"	x	24"	26"	28"	30"	32"	34"	36"	38"	40"	42"	44"	46"	48"

Available up to 36" high

Polished Brass KPPB Polished Brass US3

High x Wide

6"	x	24"	26"	28"	30"	32"	34"	36"	38"	40"	42"	44"	46"	48"
8"	x	24"	26"	28"	30"	32"	34"	36"	38"	40"	42"	44"	46"	48"
10"	x	24"	26"	28"	30"	32"	34"	36"	38"	40"	42"	44"	46"	48"
12"	x	24"	26"	28"	30"	32"	34"	36"	38"	40"	42"	44"	46"	48"

Available up to 24" high

Aluminum KPAL Satin Finish US28

High x Wide

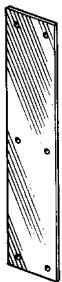
6"	x	24"	26"	28"	30"	32"	34"	36"	38"	40"	42"	44"	46"	48"
8"	x	24"	26"	28"	30"	32"	34"	36"	38"	40"	42"	44"	46"	48"
10"	x	24"	26"	28"	30"	32"	34"	36"	38"	40"	42"	44"	46"	48"
12"	x	24"	26"	28"	30"	32"	34"	36"	38"	40"	42"	44"	46"	48"
14"	x	24"	26"	28"	30"	32"	34"	36"	38"	40"	42"	44"	46"	48"

Available up to 36" high

Push-Pull Plates

Push-pull plates save wear and tear, and dirt, on fragile door finishes, and are quickly and easily installed. S. Parker has models in many materials, and finishes, all with matching screws. Pull plates have handles sized to the scale of the plate. Stainless steel pull plates have a stainless steel handle.

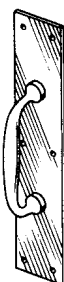
Product # Description



Push Plates

284 AL123" x 12" Aluminum
284 AL153½" x 15" Aluminum
284 AL164" x 16" Aluminum
102543½" x 15" Aluminum Carded
284 PB123" x 12" Polished Brass
284 PB153½" x 15" Polished Brass
284 PB164" x 16" Polished Brass
102553½" x 15" Polished Brass Carded
284 SS123" x 12" Stainless Steel
284 SS153½" x 15" Stainless Steel
284 SS164" x 16" Stainless Steel

Product # Description



Pull Plates

285 AL123" x 12" Aluminum
285 AL153½" x 15" Aluminum
285 AL164" x 16" Aluminum
285 PB123" x 12" Polished Brass
285 PB153½" x 15" Polished Brass
285 PB164" x 16" Polished Brass
102523½" x 15" Polished Brass Carded
285 SS123" x 12" Stainless Steel
285 SS153½" x 15" Stainless Steel
285 SS164" x 16" Stainless Steel
105923½" x 15" Aluminum Carded

Leverset Technical Specifications:

Locksets, Leversets and Their Functions



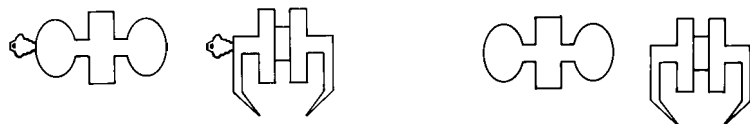
Entry lock: (Front & Back) Entry locksets have push or push and turn button locking from the inside and key unlocking from the outside. Pushing or turning the button locks the outside knob or lever. A key is needed to enter from the outside unless the interior button is manually unlocked. The push or turn button locks the outside until the inside button is moved again.

Classroom lock: Classroom locksets always have the inside knob or lever unlocked. The outside knob or lever is locked and unlocked by key.



Single Dummy Trim: Rigid trim for one side of door only. Use as a pull or to match active trim.

Bathroom and bedroom privacy lock: (Bed & Bath) Privacy locksets are locked with an inside push-button. Turning the inside knob or lever releases the lock. A small screwdriver can be used as an emergency key, from the outside, if necessary.



Storeroom lock: Storeroom locksets are always locked from the outside, so always need a key in the exterior knob or lever lock to unlock from the outside. The inside lever is always unlocked.

Passage set: (Closet & Hall) Passage locksets keep doors firmly closed with latch, but do not actually lock. Both knobs always turn free.

Cylinder Cross Reference

S.Parker	
Cyl.#	Desc.
AR1	Arrow K2, K6
CO1	Corbin 59, A1
CO2	Corbin 60
FA1	Falcon 1573, 1577
KW1	Kwikset
LO1	Lori Comp (SGT S, U Weslock, Harloc, Lori L200)
RU1	Ruswin 981, 852
RU2	Ruswin D1
SA1	Sargent LA-LC
SCE	Schlage E
SCC	Schlage C-K
YA8	Yale 8

Additional Keyways Master and Grand Master Available Upon Request.

Non-Handed vs. Handed

All S.Parker Grade 1 and 2 cylindrical lever, and all knob locksets are non-handed. They can be used on right or left hand opening doors. Most Grade 3 locks are also non-handed. There are a few decorator levers that are specific to right or left hand door openings. They are noted appropriately.