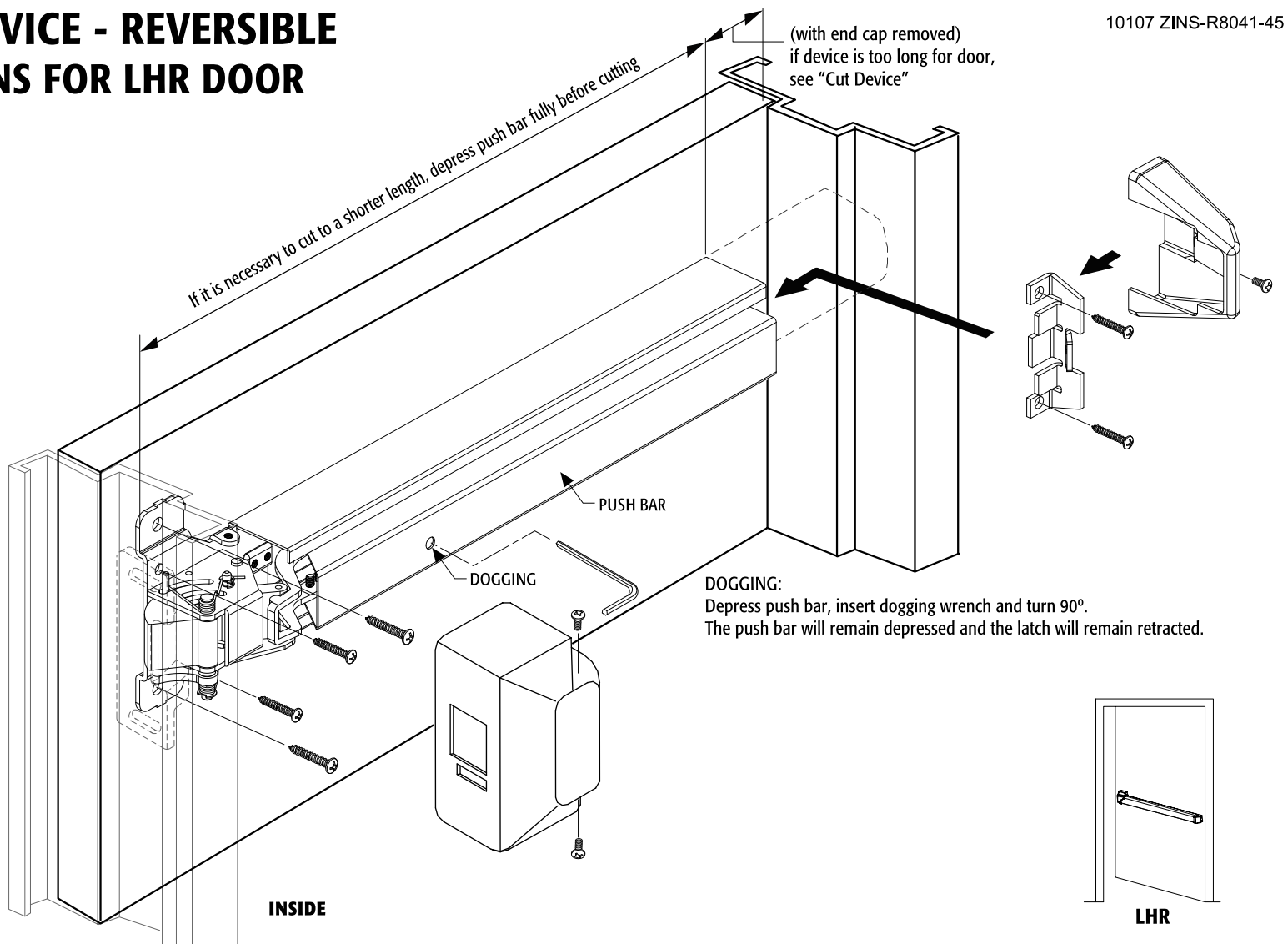
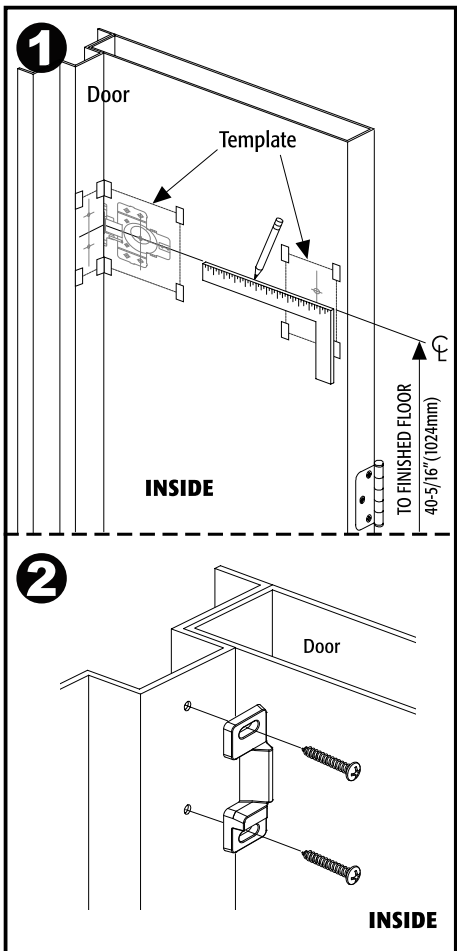
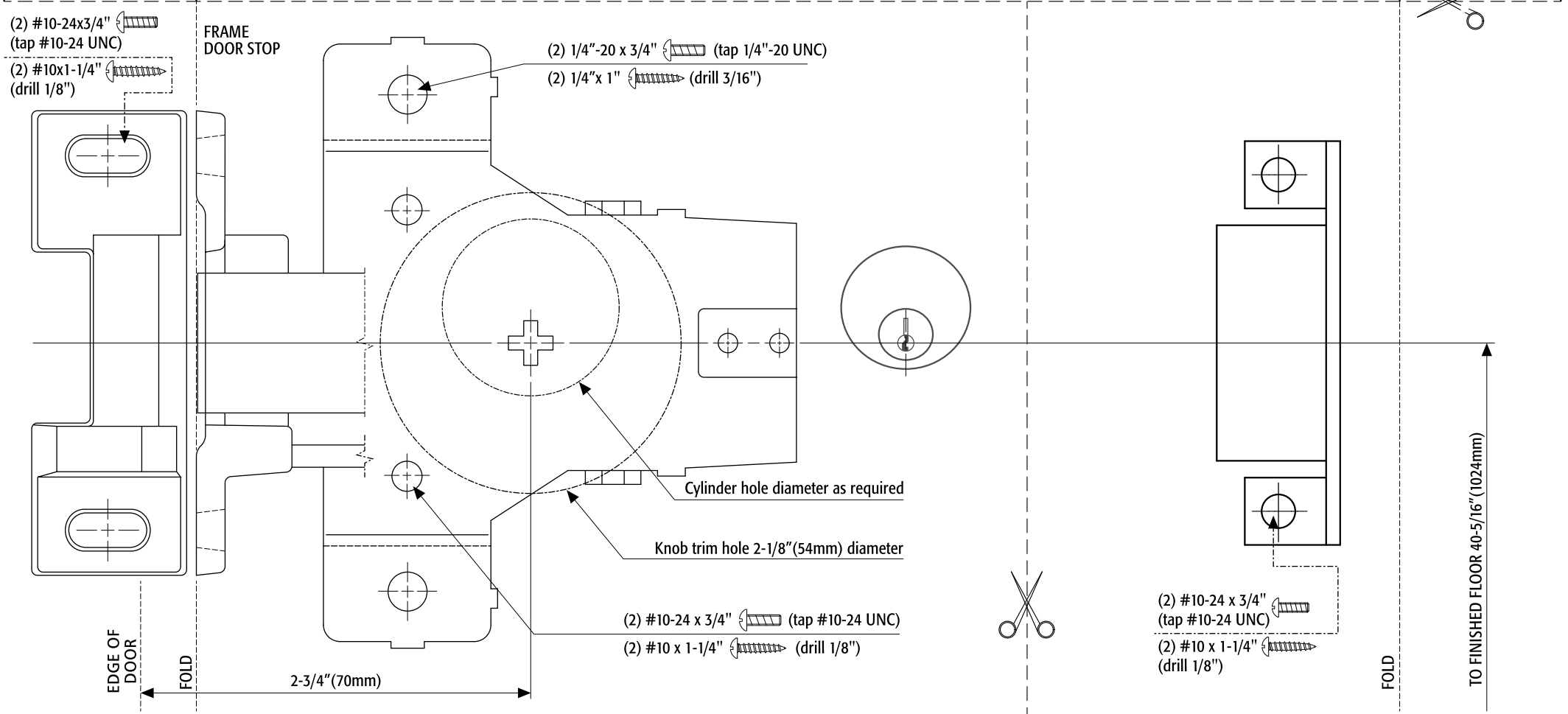
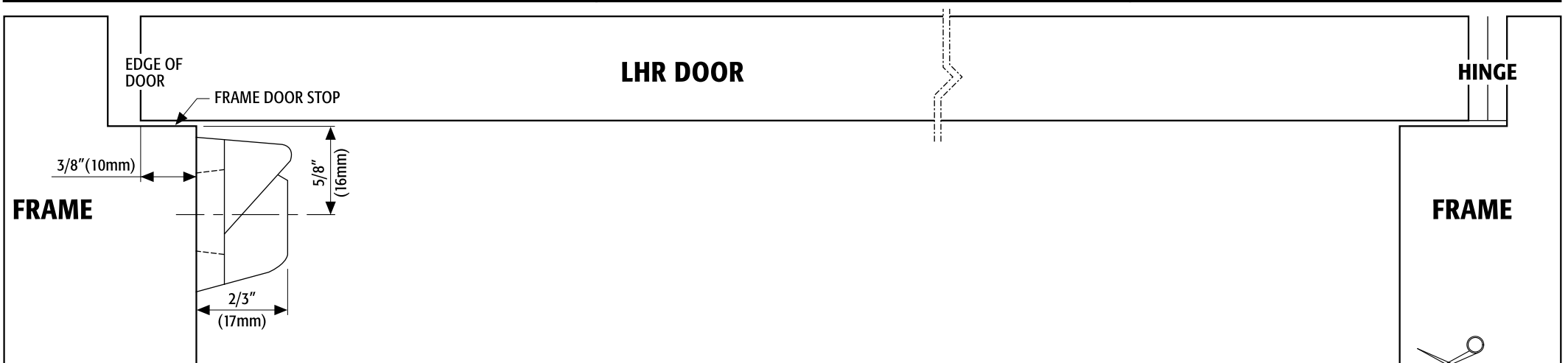
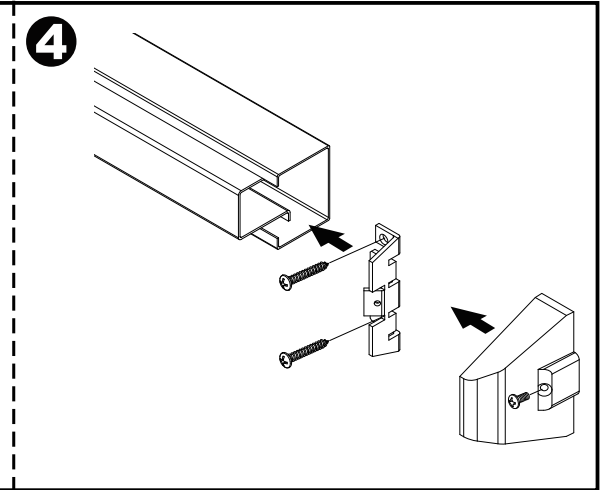
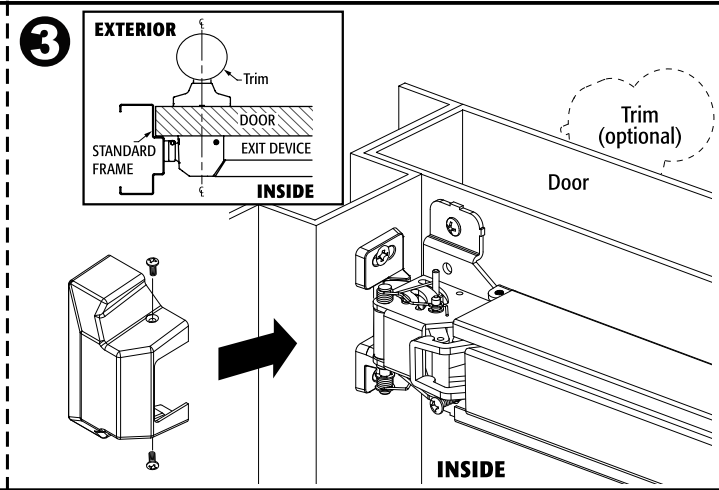
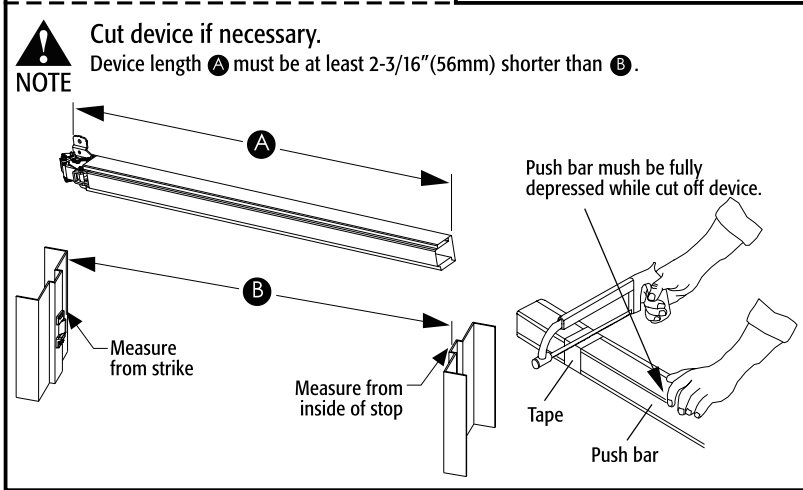
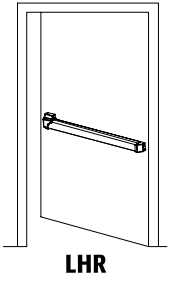


UL520 SERIES RIM EXIT DEVICE - REVERSIBLE INSTALLATION INSTRUCTIONS FOR LHR DOOR



DOGGING:
Depress push bar, insert dogging wrench and turn 90°. The push bar will remain depressed and the latch will remain retracted.



- (2) #10-24x3/4" (tap #10-24 UNC)
- (2) #10x1-1/4" (drill 1/8")

- (2) 1/4"-20 x 3/4" (tap 1/4"-20 UNC)
- (2) 1/4"x 1" (drill 3/16")

- (2) #10-24 x 3/4" (tap #10-24 UNC)
- (2) #10 x 1-1/4" (drill 1/8")

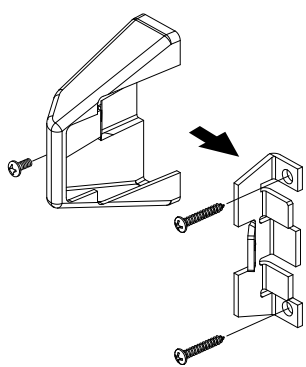
- (2) #10-24 x 3/4" (tap #10-24 UNC)
- (2) #10 x 1-1/4" (drill 1/8")

Cylinder hole diameter as required
Knob trim hole 2-1/8" (54mm) diameter

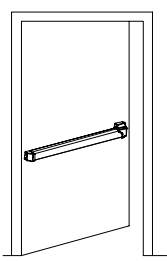
UL520 SERIES RIM EXIT DEVICE - REVERSIBLE INSTALLATION INSTRUCTIONS FOR RHR DOOR

(with end cap removed)
if device is too long for door,
see "Cut Device"

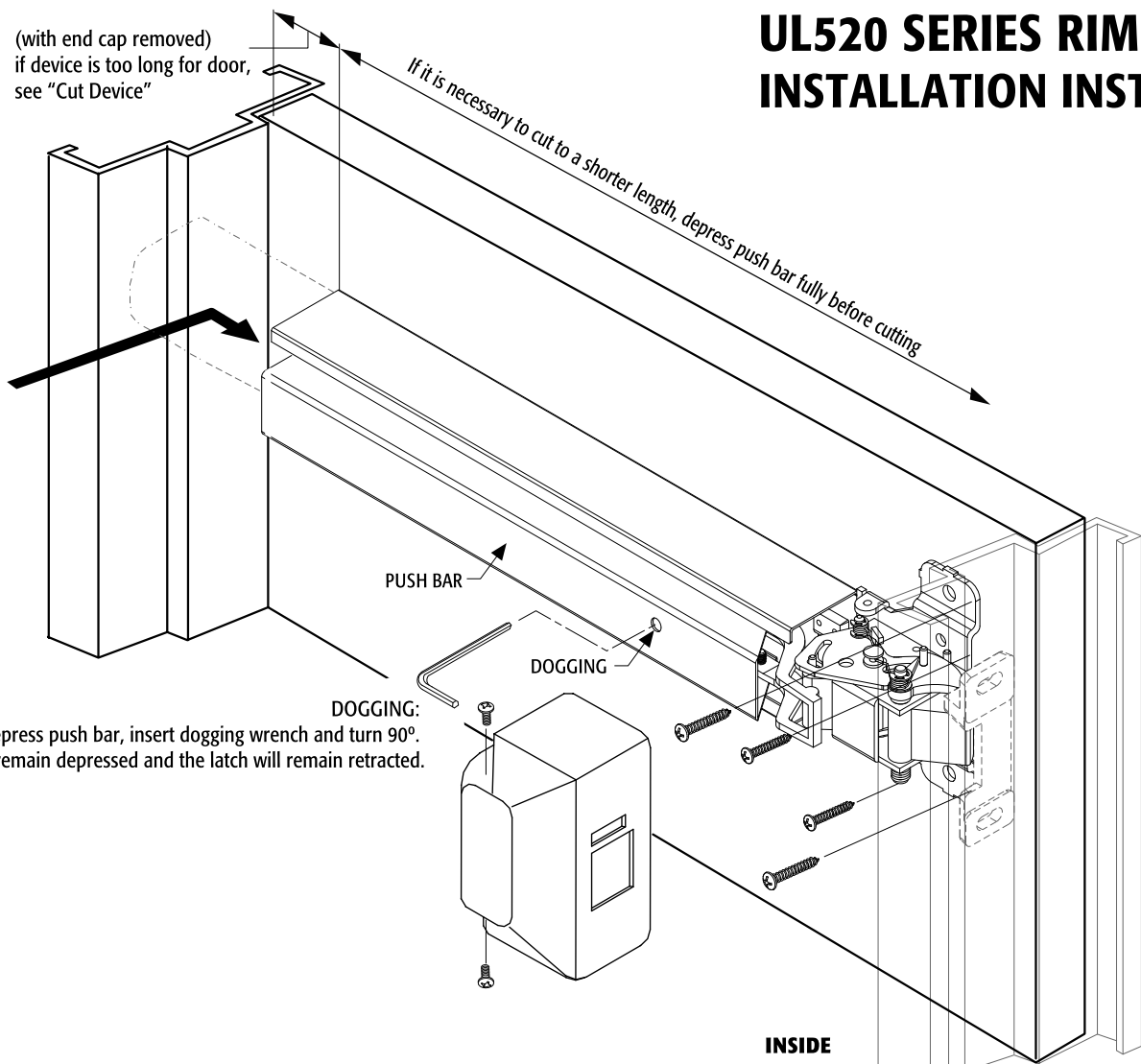
If it is necessary to cut to a shorter length, depress push bar fully before cutting



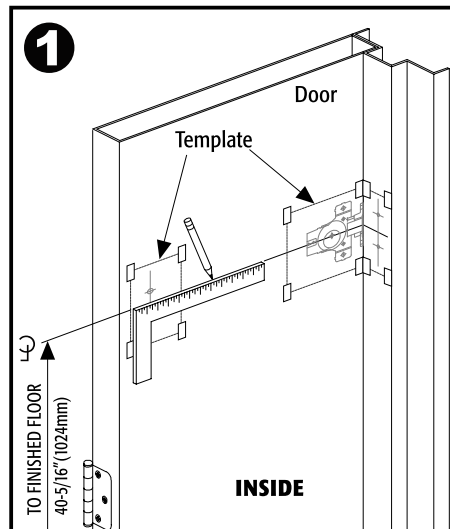
DOGGING:
Depress push bar, insert dogging wrench and turn 90°. The push bar will remain depressed and the latch will remain retracted.



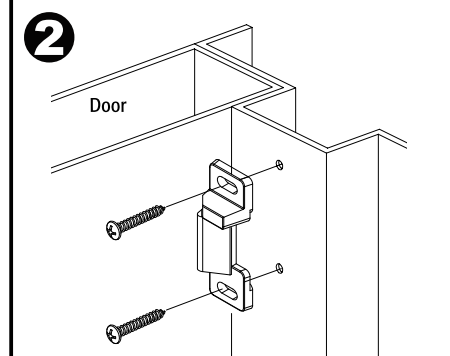
RHR



INSIDE



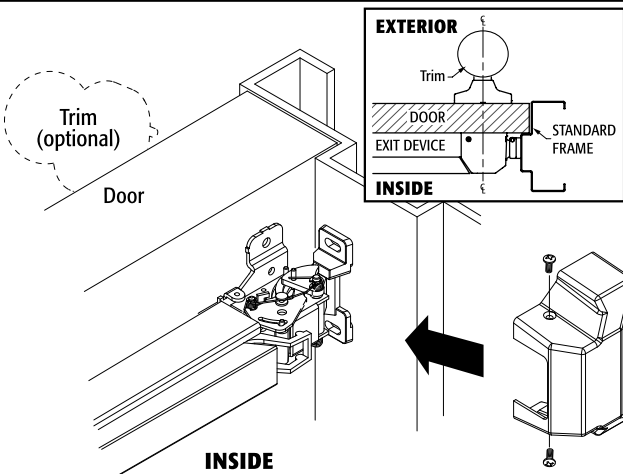
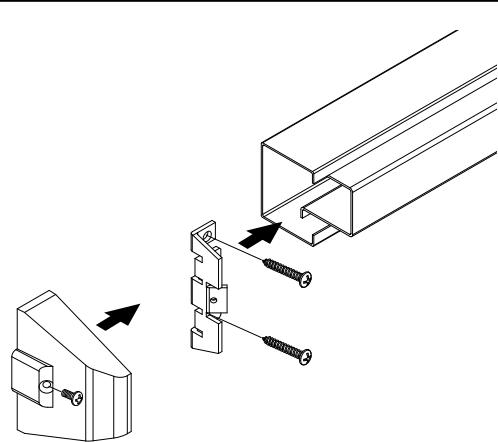
1



2

INSIDE

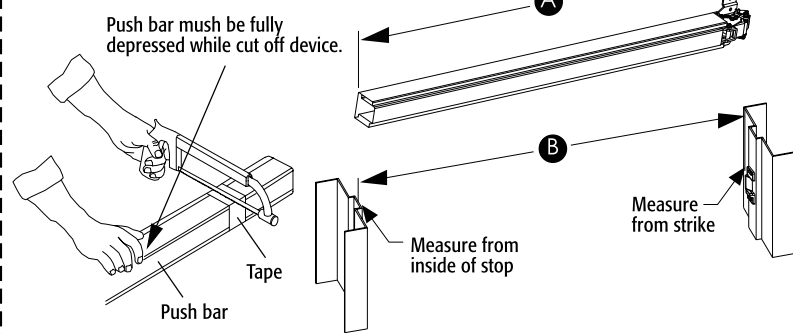
4



INSIDE

3

NOTE Cut device if necessary.
Device length **A** must be at least 2-3/16" (56mm) shorter than **B**.



HINGE

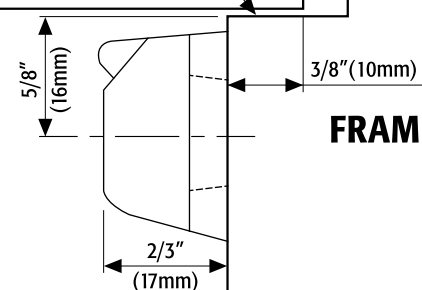
RHR DOOR

EDGE OF DOOR

FRAME

FRAME DOOR STOP

FRAME



(2) 1/4"-20 x 3/4" (tap 1/4"-20 UNC)

(2) 1/4" x 1" (drill 3/16")

(2) #10-24x3/4" (tap #10-24 UNC)

(2) #10x1-1/4" (drill 1/8")

FRAME DOOR STOP

Cylinder hole diameter as required

Knob trim hole 2-1/8" (54mm) diameter

(2) #10-24 x 3/4" (tap #10-24 UNC)

(2) #10 x 1-1/4" (drill 1/8")

2-3/4" (70mm)

FOLD

EDGE OF DOOR

TO FINISHED FLOOR 40-5/16" (1024mm)

FOLD

(2) #10-24 x 3/4" (tap #10-24 UNC)

(2) #10 x 1-1/4" (drill 1/8")