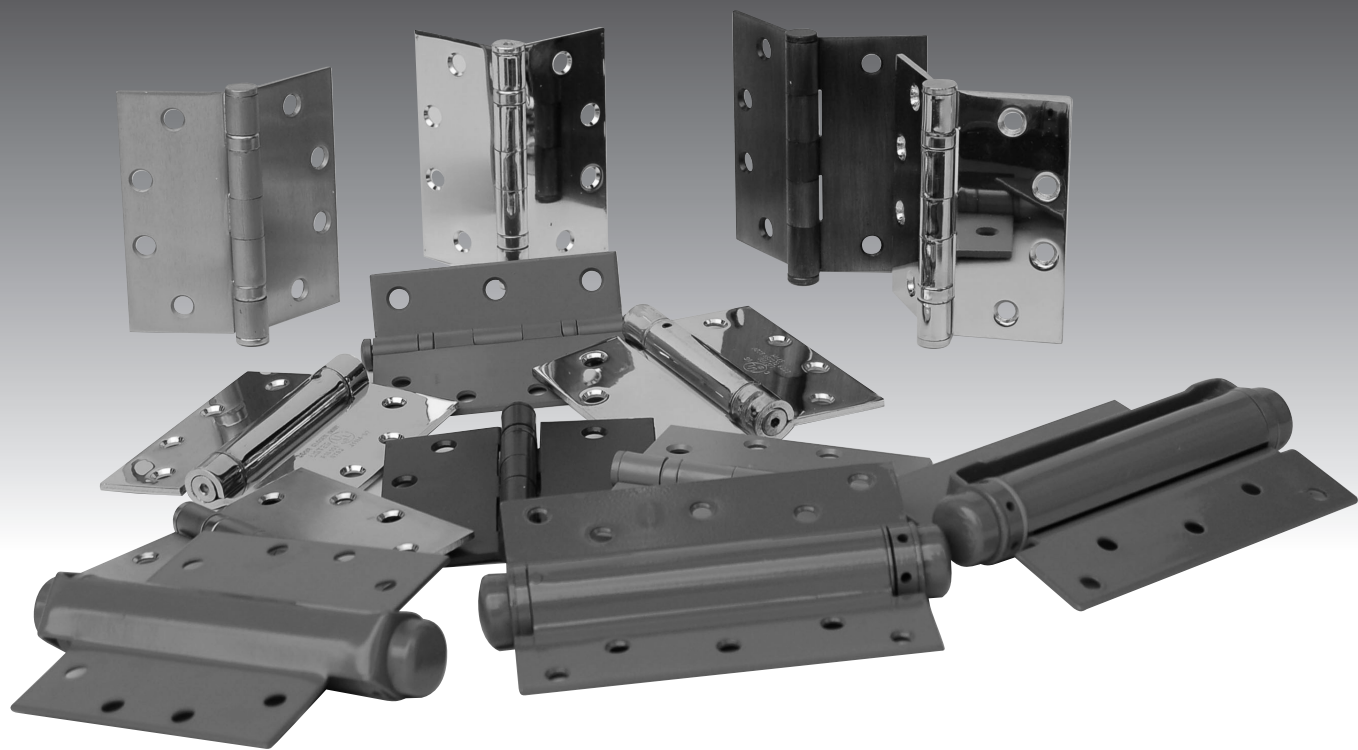


S. Parker Catalog

S. Parker Catalog



**The Best Value in
Consumer Door Hardware**

Catalog
Volume 2012



2012

**Commercial &
Residential
Door Hardware**

Catalog
Volume 2012



**Want Value Engineering
all the time?
Tired of over-specified jobs?
Want Lower Costs?
Want Higher Profit Dollars?
Want Full Line?
Want Quality?
Want Price?
Want Variety?**

**Falcon can't.
Ives can't.
Hager can't.
IR can't.
Arrow can't.
AA can't.
Stanley can't.
Rockwood can't.**

S.Parker Hardware mfg. corp.

**One Source
Buying Starts
Here.**

Value Engineered - Quality Guaranteed!

S.Parker Can!

**For Quality, Variety and Price
Combined, No ONE Else Can
Deliver as Much.**

We've got a 100% satisfaction guarantee and 111 years of experience that says we can deliver with one simple order, more quality, service and depth of line than any of the names listed on the left.

We'll even throw in far more profitable pricing, too.

It may seem like a tall order for a single source, but we've been delivering this way for years.

So before you call or use any of those more expensive names on the left, call or fax **S.Parker** for cost comparisons and samples you may need.

With one order, we'll give you the best of everything. For a whole lot less.

UL Panic Devices
Solid Bass
Tubing & Fittings
Grade 1 Locksets
Grade 2 Locksets
Grade 3 Locksets
Residential Locksets
Bin Packs
UL Commercial
Door Closers
Kick Plates -
(US Made and Custom)
Padlockable Bolts
Adjustable Closet Bars
Barrel Bolts
Door Chime & Viewer
Butt Hinges
UL Spring Hinges
Chain Door Fasteners
Hinge Pin Door Closers
Residential Door Closers
Continuous Hinges
Door Knockers
Hand Rail Brackets
Ball Bearing Hinges
Double Acting Hinges
Narrow Stile Latches
Letter Slots
Narrow Stile Locks
Lever Flush Bolts
Padlocks
Mending Plates
Night Latches
Jimmy-Proof Locks
Non-Mortise Hinges
(US Made)
Shelf Brackets
Steel Tubing
Pole Sockets
Square Bolts
Storeroom Locks
Classroom
"Intruder" Locks
Deadbolts
Screen & Storm
Door Hardware
Surface Bolts
Template Hinges
Mullions
Mortise Cylinders
ADA Adjustable
Closers
Door Stops
In Stock KA and MK
Locksets
Lever X Escutcheon
Panic Trim
Narrow Stile
Exit Devices
Universal Hinge Kits
Push and Pull Paddles
Rim Cylinders

CALL 1-800-SPARKER NOW
772-7537

**AND GET BETTER QUALITY, VARIETY, PRICE AND IMMEDIATE
FULL LINE AVAILABILITY FROM S.PARKER'S SUPER-DEEP INVENTORY!**

S.Parker Hardware • Englewood, NJ
Fax: 1-201-569-1082 • Phone: 1-800-SPARKER • www.sparker.com

General Information

Orders are subject to approval and are accepted with the understanding that they will be billed at prices in effect at time of shipment.

Minimum Order: No order will be accepted for less than \$100.00 Net.

Order Multiples: With asterisk (*), sold in full order multiples only. Without asterisk (*), order multiples may be broken at 20% additional.

Back Orders: Temporarily out of stock items will be forwarded as soon as possible. Those that are less than 60 days old will be shipped automatically. Back orders will be shipped freight allowed only if original order met allowance requirements. Back orders less than \$100 may be cancelled.

Credit: Concerns placing first order and not rated satisfactorily in Dun & Bradstreet are requested to furnish three trade references and the name and address of their bank. Cash-in-Advance or C.O.D. is recommended for first orders that are needed quickly.

Set-up charges will apply for kickplates and grilles.

Returned Goods will not be accepted for exchange or credit without prior written approval from S.Parker. All must be shipped prepaid, lowest cost, using the label we provide. After a thorough investigation by S.Parker, if it is revealed that the product is not satisfactory or has been shipped in error, credit or replacement will be made at the discretion of S. Parker. If fault is not ours, a 25% handling charge and freight will be charged on all stock items. Special made-to-order products are not returnable. Any keyed lock must be accompanied by at least one working key for that lock.

Freight Claims: All goods are shipped F.O.B. S.Parker warehouse and become customer's property when they pass into the hands of the transportation company. Responsibility will not be accepted for damages or pilferage. All claims should be submitted with proper documents to the delivering carrier. If you request proof of delivery, there will be a \$25 service charge. This charge will be refunded if the delivery had not been made.

Claims for shortages or incorrectly filled orders must be made in writing within 10 days after receipt of shipment.

Specifications: Packing, weights, measurements and design are subject to change without notice. We reserve the right to adjust quantities to meet our standard package quantities.

Terms: 2% 10th day E.O.M. Any invoice dated after the 25th of the month is considered as of the first of the following month. Statements are not issued. Do not wait for statements to make payment—you will lose entitlements to discounts and freight allowances. *After 30 days, a service charge will be added.*

Freight: Freight allowance is subject to the net value of your total order, which you deduct from your payment with a copy enclosed of your paid freight bill. S. Parker

reserves the right to ship via the lowest cost method. If an order must be shipped by truck due to oversized items that are not accepted by parcel carriers we will notify the customer of the added costs that are involved. (Note: There is no freight allowance on No. 245S Steel Tubing, Shelf Brackets Nos. 1784-96, 1799- and Vision Lites, Door Louvers.) *Freight allowance is forfeited if invoice is not paid within terms. Delivery appointment notification fee, if requested by customer, will be charged to the customer.*

There is a \$5.00 fee for each third-party shipment.

Air Shipments: *There is no freight allowance on any form of air shipment.*

Warranty Information: Limited Warranty information for all products is on file and available on request.

Special Keying: Orders requiring special keying will be at an extra cost. The customer will be notified, and the charge for keying must be approved by the customer before the work starts. Any changes thereafter will be at the customer's expense. Although we process each order as quickly as possible, please allow extra time for any special keying work.

Our Products: Every item in this catalog has been manufactured to our rigid, high quality standards. To assure your complete satisfaction we maintain these exceedingly high standards in both product development and manufacture.

Our People: You'll find a lot more than just a friendly voice when you phone S. Parker. Our experienced sales and service staff have a thorough knowledge of each item and can advise you as to the quality product which may be appropriate for your needs.

Our Service: With our multi-million dollar in-stock inventory, you can expect a fast response to your order. Why wait weeks when most S. Parker orders are turned around in 48 Hours!

How to Contact Us:

S. PARKER HARDWARE MANUFACTURING CORPORATION

Parker Drive
P.O. Box 9882
Englewood, NJ 07631

In NJ: (201) 569-1600

In NYC: (212) 925-6300

Toll-Free: 1-800-S-PARKER

Fax: (201) 569-1082 or 1-877-636-5712

E-mail: hardware@sparker.com

Website: www.sparker.com

S.Parker is not responsible for typographical errors.

Door Closers

No longer are door closers minor conveniences, and energy savers for businesses: Barrier Free door closers are required to meet ADA requirements. S. Parker puts you up front with three models to serve, save and facilitate.

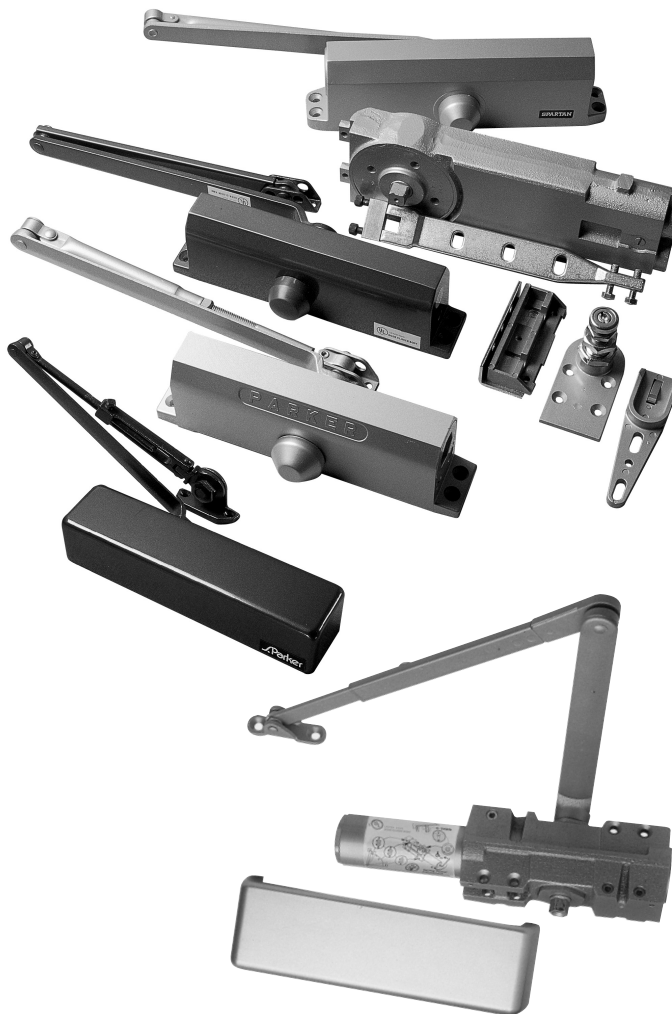
S. Parker's Barrier Free model, with opening force adjustable and closing power springing also adjustable from 1/2 to 4, meets ANSI A117.1-1986 requirements. Barrier Free requirements are met with closers that ease the opening cycle, thus making it easier for disabled persons to open the door.

The S. Parker Delayed Action closer takes no less than 20 seconds to close, allowing easy passage for disabled people. Delayed Action closers also make passage easier when hands are full, keeping the door from shutting on nurses carrying trays, and in similar situations. Multi-spring size power adjustment goes from 1/4 to 4, and the closer conforms to closing force code requirements in ANSI A156.4-1986.

The Combined Action unit provides all features of Barrier Free opening plus the light touch capabilities of closing, so disabled people can easily open, and readily pass through, the door. Multi-size spring power adjustment gives a range from 1/2 to 4.

Other models such as the Parker 950 Series and our concealed door closers provide quality suitable for light, medium and heavy duty needs and other applications where back check is needed. There are extra heavy duty models for very wide doors. Our closers work with varying door widths up to 48" wide (exterior) and 54" wide (interior).

All S. Parker quality door closers are built to be long lasting, and operate well during their lifetime, because of the following features:



Door Closers

Technical Specifications:

900 Series Door Closer

- Smooth rack and pinion action
- Non-corroding, durable housing
- Separate adjustable speed controls for latching and closing
- Needle bearings to ensure smooth operation
- All-temperature hydraulics are not affected by severe temperature swings
- Non-handed, for right or left hand door opening applications
- Delayed Action Closer and Combined Units allow a closing speed to a maximum of 8 minutes, 50 seconds, with a minimum of 20 seconds. Closing speed is adjusted with the power adjusting nut.
- Aluminum, duralonod, white and black, finishes are available with different models in 950 series.
- Each Grade 1 closer is complete with parallel arm bracket, and full plastic cover
- Aluminum, duralonod, gold, polished brass, antique brass, antique nickel, dull chrome and satin brass finishes are available with different models in 900 series.
- Cover kits for the 900 series Barrier Free closers are available in brass and polished chrome finish.
- 10 Year Warranty – 950 series
- 25 Year Warranty – 900 series

Overhead Concealed Door Closer

- UL Listed
- Dual valves sweep and latching speeds are easily adjusted
- Center hung fits into a standard 4-inch header
- Center pivoted for single and double action doors provides positive “centering”
- Fully adjustable radial ball bearing pivots for floor and threshold mounting
- Temperature sensitive hydraulic fluid delivers consistent closure speed all the time
- Available in 90° or 105° positive backstops
- ADA compliance available
- Complies with ANSI A156.4
- Light tension, medium and heavy spring tension units to match door sizes and weights
- 5 Year Warranty

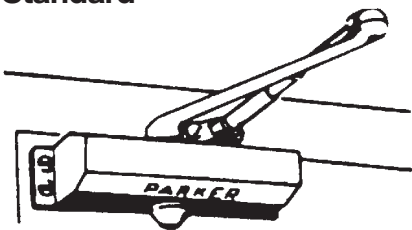
441BC Series Door Closer

- Cast Iron Body
- ANSI A156.4 Grade 1 and ADA Compliant
- UL Listed
- ADA Handicap Multi-sized Closers with Adjustable Spring Power for a Range of Sizes, Adjustable After Installation
- ISO 9002 Quality Assurance
- Available in a Choice of Three Arm Types, Heavy Duty Stop Arm with Hold Open, Heavy Duty Arm, or Standard Arm
- Tri-Style Installation: Installs Regular, Parallel Arm or Top Jamb
- Non-handed
- Adjustable Sweep and Latch Speeds: Separate Valves to Adjust Each
- Adjustable Backcheck: Standard
- Adjustable Delayed Action Closing Option Available
- Cover: High Impact, Molded Plastic Full Cover
- Power of Closer Can Be Adjusted to Conform to the Requirements of the Americans with Disabilities Act (ADA) and as Outlined in ANSI A 117.1 Specifications for Making Buildings and Facilities Accessible to, and Useable by the Physically Disabled
- Door Opening: Regular Arm 120°, Parallel Arm 180° and Top Jamb 120°
- 25 Year Warranty

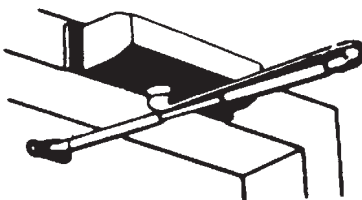
Applications:

Same template as popular brands for easy retrofit

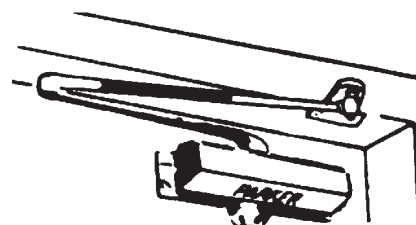
Standard



Top Jamb



Parallel Arm





900 Series Door Closer

Grade 1 Barrier-Free & Delayed-Action Contractor Quality® Door Closers

S. Parker's Barrier Free and Delayed Action line of door closers presents a 25 year warranty, meets ANSI Grade 1 A-156.4 standards, comes with adjustable closing speed for combined door opening ease and delayed action closing adjustment. These closers are specifically designed with the physically impaired in mind, and meet ADA standards, while easing access for the disabled. The UL Listed 900 Series comes in four basic designs.

900 contains: the arm, screw pack, parallel arm bracket, cover and instruction sheet.

25 Year Warranty



A sleek, superbly attractive and easily cleaned cover is included.



Door Closers

ADA Grade 1 Door Closers

Product Number	Description
----------------	-------------

Barrier Free

BF900 AL	Aluminum Adjustable from 1/2 to 4
BF900 DUR	Duranodic Adjustable from 1/2 to 4
BF900 GLD	Gold Adjustable from 1/2 to 4
BF900 PB	Polished Brass Adjustable from 1/2 to 4

Delayed Action ADA Compliant at lower setting

DA900 AL	Aluminum Adjustable from 1 to 6
DA900 DUR	Duranodic Adjustable from 1 to 6

Combined Barrier Free and Delayed Action

CB900 AB	Antique Brass Adjustable from 1/2 to 4
CB900 AL	Aluminum Adjustable from 1/2 to 4
CB900 AN	Antique Nickel from 1/2 to 4
CB900 DCH	Dull Chrome Adjustable from 1/2 to 4
CB900 DUR	Duranodic Adjustable from 1/2 to 4
CB900 PB	Polished Brass Adjustable from 1/2 to 4
CB900 SB	Satin Brass Adjustable from 1/2 to 4

Spring Power Adjustment

ADA Compliant at lower setting. Also available architectural colors US3, US4, US5, US26

900BC AL	Aluminum Adjustable from 1 to 6
900BC DUR	Duranodic Adjustable from 1 to 6
900BC PB	Polished Brass Adjustable from 1 to 6

Optional Kits:

Cover, Arm and Parallel Arm Brackets

KIT900 PB	Polished Brass
KIT900 PCH	Polished Chrome
KIT900 AB	Antique Brass
KIT900 SB	Satin Brass

Hold Open Arm for 900 & 950 Series

HO ARM 900 AL	Aluminum
HO ARM 900 DUR	Duranodic

Crossover Footprint

The following manufacturer's products fit the same physical footprint as our 900 Series Door Closer. If you have any questions regarding crossover specifications please contact us.

Same hole positions as:

- LCN 1461 PA
- Norton 8300/8500
- Dorma 8616
- Dor-O-Matic SC80
- SARGENT 1330/1430
- Yale P3300/3500
- Ryobi D3550/D4550

DIMENSIONS:

Length	11 1/8"
Width	2 3/4"
Height	2 1/4"
Center to Center	11 1/16"

10 Year Warranty



950 Series Door Closer

Contractor Quality® Door Closers

The 950 closer features 2 speed controls for closing and latching. Non-handed and using the same template as many other national brands, including the Parker 500, the Yale 50 and the Norton 1600, the S. Parker 950 is a rack and pinion action door closer with all temperature hydraulics in an aluminum housing. Separate controls adjust, at any time, both closing and latching speeds. A fully adjustable model with back check is available. S. Parker guarantees trouble free operation of each closer for 10 years. Each closer is UL tested, and listed for use on hollow metal fire rated doors. The exterior housing is made of high tensile strength aluminum. Available in aluminum, black, white and duranodic. The S. Parker 950 Series fits even extra heavy doors. Available with cover.



Door Closers

950 Series Door Closers

Product Number	Description
----------------	-------------

Heavy Duty

48" Wide Interior or 36" Wide Exterior Door
9 1/2" Length, 1 3/4" Width, 2 3/4" Height, Center to Center 9"

954 AL.....	Aluminum
954 DUR.....	Duranodic
954 BC AL.....	Aluminum with Back Check
954 BC DUR.....	Duranodic with Back Check
954 BC BL.....	Black with Back Check
954 BC WH.....	White with Back Check
1954 AL.....	Aluminum with Hold-Open Arm
1954 DUR.....	Duranodic with Hold-Open Arm

Extra Heavy Duty

54" Wide Interior or 48" Wide Exterior Door
9 1/2" Length, 1 3/4" Width, 2 3/4" Height, Center to Center 9"

955 BC AL.....	Aluminum with Back Check
955 BC DUR.....	Duranodic with Back Check

950 Series Door Closers Parts

Product Number	Description
----------------	-------------

Hold Open Arm for 900 & 950 Series

HO ARM 900 AL.....	Aluminum
HO ARM 900 DUR.....	Duranodic

Cover for 950 series

950 Cover AL.....	Aluminum
950 Cover DUR.....	Duranodic

All closers come with the arm, the screw pack, instruction sheet.

Crossover Footprint

The following manufacturer's products fit the same physical footprint as our 950 Series Door Closer. If you have any questions regarding crossover specifications please contact us.

Same hole positions as:

- LCN 1070 PA
- Norton 1600
- Dorma 7302/7414
- Dor-O-Matic SC60
- SARGENT 1330/1130
- Yale P51BC, 50
- Ryobi D1650

952-953 Series Closers

Product Number	Description
----------------	-------------

Medium Duty

32" Wide Interior or 27" Wide Exterior Door
8 3/8" Length, 1 3/4" Width, 2 3/4" Height, Center to Center 8 3/8"

952 AL.....	Aluminum
952 DUR.....	Duranodic

Medium/Heavy Duty

36" Wide Interior or 30" Wide Exterior Door
8 7/8" Length, 1 3/4" Width, 2 3/4" Height, Center to Center 8 7/8"

953 AL.....	Aluminum
953 DUR.....	Duranodic
953 BC AL.....	Aluminum with Back Check
953 BC DUR.....	Duranodic with Back Check

950 Series Tri-Pack Door Closer

10 Year Warranty



All-In-One Deluxe Door Closer Packages

Tri-Pack includes a 2 speed door closer that is non-handed. Rack and pinion action, with all temperature hydraulics. Separate controls adjust, at any time, both closing and latching speeds. **The parallel arm bracket and sex bolts for easy mounting are all included in the package.**



Available with cover.

Door Closers

PA 950 Series Door Closers

Product Number	Description
----------------	-------------

Heavy Duty

48" Wide Interior or 36" Wide Exterior Door

PA954 AL	Aluminum
PA954 DUR	Duranodic
PA954 BC AL	Aluminum with Back Check
PA954 BC DUR	Duranodic with Back Check

Extra Heavy Duty

54" Wide Interior or 48" Wide Exterior Door

PA955 BC AL	Aluminum with Back Check
PA955 BC DUR	Duranodic with Back Check

Crossover Footprint

The following manufacturer's products fit the same physical footprint as our 950 Series Door Closer. If you have any questions regarding crossover specifications please contact us.

Same hole positions as:

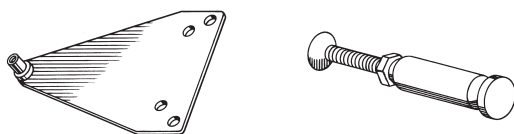
- LCN 1070
- Norton 1600
- Dorma 7302/7414
- Dor-O-Matic SC60
- SARGENT 1330/1130
- Yale P51BC, 50
- Ryobi D1650

PA 950 Series Door Closers Parts

Product Number	Description
----------------	-------------

Hold Open Arm for 900 & 950 Series Cover for 950 Series

HO ARM 900 AL	Aluminum
HO ARM 900 DUR	Duranodic
950 Cover AL	Aluminum
950 Cover DUR	Duranodic



PA 950 Series Dr. Closers

Product Number	Description
----------------	-------------

Medium Duty

32" Wide Interior or 27" Wide Exterior Door

PA952 AL	Aluminum
PA952 DUR	Duranodic

Medium/Heavy Duty

36" Wide Interior or 30" Wide Exterior Door

PA953 AL	Aluminum
PA953 DUR	Duranodic

400 Series Overhead Concealed Door Closers

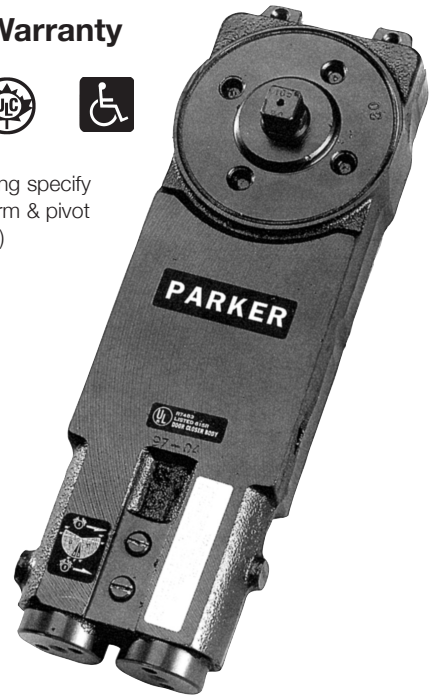
Contractor Quality® Door Closer

The Overhead Concealed Door Closer is UL Listed. Separate controls adjust, at any time, both closing and latching speeds. Center hung fits into a standard 4-inch header. Center pivoted for single and double action doors provides positive “centering.” Fully adjustable radial ball bearing pivots for floor and threshold mounting are available. Temperature sensitive hydraulic fluid delivers consistent closure speed all the time. Available in 90° or 105° positive backstops. Light tension is ADA compliance. Complies with ANSI A156.4. Light, medium, and heavy spring tension units to match door sizes and weights. The Overhead Concealed Door Closer comes with 5-year warranty. Overhead package including side arm and pivot available as “kit.” Prefix is 41. See price list.

5 Year Warranty



(When ordering specify body type, arm & pivot requirements)



Door Closers

400 Series Overhead Concealed Door Closers

Product Number	Description
----------------	-------------

Door Size: 30" & Under (760 mm & Under)

Maximum Door Weight: 155 lbs. (70 kgs), Spring Tension: Light, Opening Force: 8.5 lbs. Closing Force: 4.7 lbs.

402105 HO.....	105° Back Stop With Hold Open At 105°
402105 NHO.....	105° Back Stop – No Hold Open
40290 HO.....	90° Back Stop With Hold Open At 90°
40290 NHO.....	90° Back Stop – No Hold Open

Door Size: Up to 41" (Up to 1,040 mm)

Maximum Door Weight: 243 lbs. (110 kgs), Spring Tension: Medium, Opening Force: 12.48 lbs. Closing Force: 7.4 lbs.

403105 HO.....	105° Back Stop With Hold Open At 105°
403105 NHO.....	Back Stop – No Hold Open 105°
40390 HO.....	90° Back Stop With Hold Open At 90°
40390 NHO.....	90° Back Stop – No Hold Open

Door Size: Up to 48"

Maximum Door Weight: 360 lbs. (163 kgs), Spring Tension: Heavy, Opening Force: 16 lbs. Closing Force: 9.6 lbs.

404105 HO.....	105° Back Stop With Hold Open At 105°
404105 NHO.....	105° Back Stop – No Hold Open
40490 HO.....	90° Back Stop With Hold Open At 90°
40490 NHO.....	90° Back Stop – No Hold Open

Concealed Overhead Closer Components

400 SIDE ARM.....	Side Load Arm	
400 END ARM.....	End Load Arm	
400 OFF ALUM.....	Offset Arm, Aluminum Finish	For use with hinged doors
400 OFF DUR.....	Offset Arm, Duranodic Finish	
400 PIVOTS.....	Dual Purpose Bottom Pivots	
400 KARM.....	“K” Type Arm	

Crossover Footprint

The following manufacturer’s products fit the same physical footprint as our 400 Series Door Closer. If you have any questions regarding crossover specifications please contact us.

Same hole positions as:

- Dorma BTS
- Jackson JED101
- RIXSON RTS80
- International 200



400 Pivots: Dual Purpose Bottom Pivots

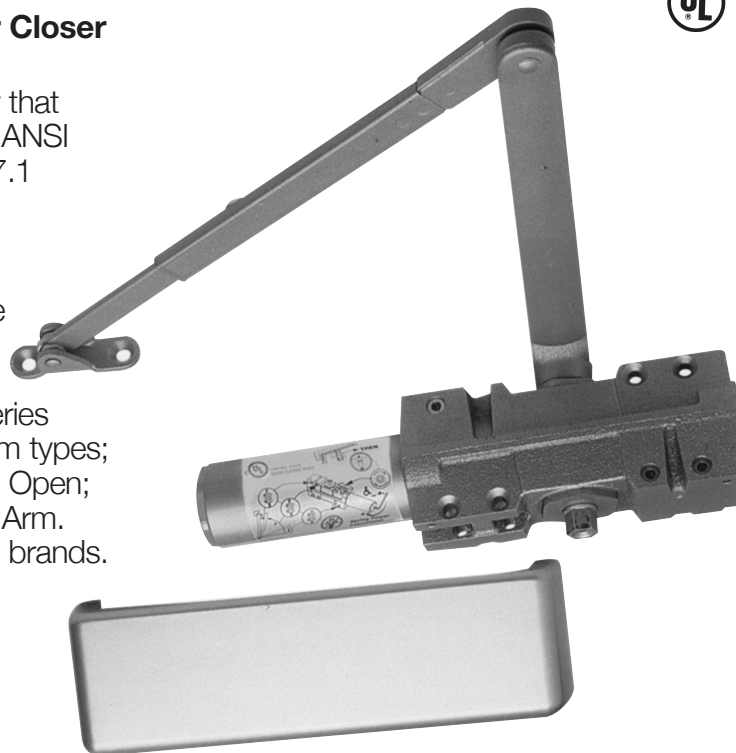
441BC Series Door Closer

Multi-Size, Full Feature Door Closer

25 Year Warranty



A power adjustable Door Closer that features a cast iron body and is ANSI A156.4 Grade 1 and ANSI A117.1 compliant. It is also UL Listed. Manufactured under ISO 9002 guidelines, this ADA (Handicap) multi-sized closer has adjustable Spring Power for a range of sizes which can be adjusted after installation. The 441 BC Series comes with a choice of three arm types; Heavy Duty Stop Arm with Hold Open; Heavy Duty Arm; or a Standard Arm. Same template as the domestic brands.



Door Closers

441BC Door Closer

Product Number	Description
441 BC AL.....	Aluminum
441 BC DUR	Duranodic
607441 AL.....	Mounting Plate Aluminum
607441 DUR	Mounting Plate Duranodic
HDARM 441 AL.....	Heavy Duty Arm Aluminum
HDARM 441 DUR.....	Heavy Duty Arm Duranodic
STOPARM 441 AL.....	Stop Arm Aluminum
HOARM 441 AL.....	Hold Open Arm Aluminum
HOARM 441 DUR	Hold Open Arm Duranodic

Crossover Footprint

The following manufacturer's products fit the same physical footprint as our 441BC Series Door Closer. If you have any questions regarding crossover specifications please contact us.

Same hole positions as:

- LCN 4041
- Norton 7500/7700
- Dorma 8916
- Dor-O-Matic SC70
- SARGENT 351
- Yale P400/4400
- RYOBI D3530

Door Closer Size	1	2	3	4	5	6
Max. Interior Door Size (in.)	32	36	42	48	54	58
Max. Exterior (Inswing) (in.)	28	32	36	42	48	52
Applicable Door weight (lbs.)	33-66	66-99	99-143	143-187	187-264	264-330
Power Adjustment	-6	-3	0	3	7	12

Full 360° Clockwise Turns of Adjustment Nut

815 Series Adjustable Door Closer

10 Year Warranty

Streamline Contractor Quality® Door Closer

Fully Adjustable 1 to 5 Spring Power Door Closer with Back Check, Ideal for Replacement

Separate controls easily adjust both closing and latching speeds. Rack and pinion action with fully enclosed housing with all temperature hydraulics. Adjustable range 1 through to 5. Non-handed for use on right or left hand opening doors. Non-corroding durable housing. Back check feature provides a shock absorber like action in the opening outswing cycle. Available with cover.



DIMENSIONS:

- Length.....9½"
- Width1¾"
- Height2¾"
- Center to Center9"

Door Closers

Contractor Quality® Door Closer with Backcheck

Product Number	Description
----------------	-------------

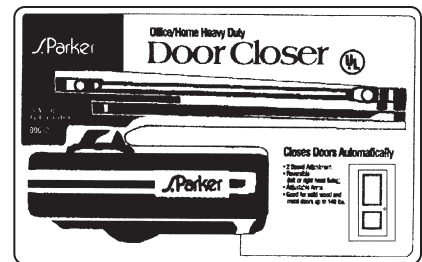
815 BC AL.....	Adjustable 1 to 5 closing speed, Aluminum
815 BC DUR	Adjustable 1 to 5 closing speed, Duranodic
PA815 BC AL	Adjustable 1 to 5 closing speed, Aluminum with Parallel Arm bracket and sex bolts
PA815 BC DUR	Adjustable 1 to 5 closing speed, Duranodic with Parallel Arm bracket and sex bolts

Fits size 4 template. Template easily replaces S.Parker 534, 954, 1604 Norton and 54 Yale.

Residential Door Closer

Universal and Reversible Residential Door Closer

Residences can use the energy savings, safety and convenience of these closers, too, with the 00050 and 00051 models from S. Parker, at very sensible prices, offering similar features and convenience to closers used in commercial business applications. The S. Parker Residential Door Closer is universal and reversible so it fits right or left handed doors. The closer comes complete, with clear instructions and all needed parts and screws. S. Parker residential door closers are automatic, hydraulic and adjust with just a turn of a screw. Model 00050 is Ivory and model 00051 is Chocolate.



Residential Door Closer

Product Number	Description
----------------	-------------

These items will hold open wood or hollow metal doors up to 66 lbs (4" long, 2-1/2" deep, 2-1/4" high).

00050.....	Ivory Clamshell Pack
00051.....	Chocolate Clamshell Pack

Can be used with wood or hollow metal doors up to 140 lbs (6" long, 2-1/2" deep, 2-1/4" high).

00053.....	Chocolate Clamshell Pack
------------	--------------------------



Door Closer Accessories



Radius Corner Lever Flush Bolts

R198 lever flush bolts have rounded corners, with long locking rods. Finishes are aluminum and duranodic, in both 1/8" and 1/4" offsets, with die cast alloy faces 1 5/16" x 5 3/8" in size.

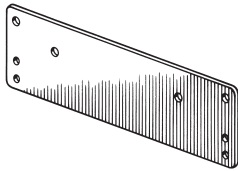
Item Number	Description
R198 ALQ	Aluminum with 1/4" offset
R198 DURQ	Duranodic with 1/4" offset
R198 ALE	Aluminum with 1/8" offset
R198 DURE	Duranodic with 1/8" offset



Hinge Pin Door Closer

The hinge pin door closer replaces the hinge pin in 3 1/2" or 4" hinges and closes the door without action on the part of any person. The 48 BP is brass plated and carded.

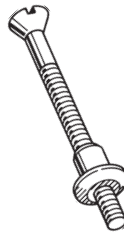
Item Number	Description
48 BP	Brass Plated



Drop Mounting Plates

Mounting Plates accept the body of the door closer on the bracket, with the closer arm fixed to the door. Complete with screws.

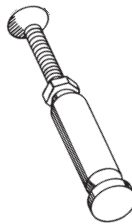
Item Number	Description
607 533AL	Aluminum for Items 532-952 and 533-953
607 533DUR	Duranodic for Items 532-952 and 533-953
607 534AL	Aluminum for Items 534-954 and 535-955
607 534DUR	Duranodic for Items 534-954 and 535-955
607 900AL	Aluminum for Items 900 DA/BF/CB
607 900DUR	Duranodic for Items 900 DA/BF/CB
607 441AL	Aluminum for Item 441
607 441DUR	Duranodic for Item 441



Thru Bolt and Grommet Nut

Thru bolt and grommet nut assemblies are 2 1/4" x 1/4"-20 thread, and are packed with one bolt and one nut per assembly.

Item Number	Description
610 DUR	Duranodic
610 ZP	Zinc Plated



Sex Bolts

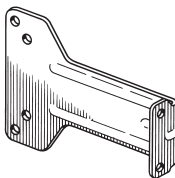
Sex bolts are 2 1/4" x 3/8" and include one screw and one sleeve per pack.

Item Number	Description
611 AL	Aluminum
611 DUR	Duranodic
612 AL	Aluminum with smaller head

Door Closers

Parallel Arm Brackets

Parallel arm brackets for 500, 800 and 900 Series door closers with regular arms are supplied without screws. Door closer parallel arm bracket for 500 Series with a hold-open arm is supplied without screws. Parallel arm brackets for 500 and 950 Series with regular arm, and with shoe removed are shipped with screws.



For 500 Series

Item Number	Description
609 AL	Aluminum
609 DUR	Duranodic

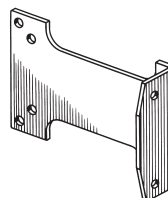


For 500 Series with Shoe Removed

Item Number	Description
A609 AL	Aluminum
A609 DUR	Duranodic

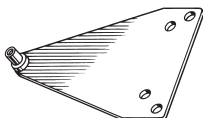
For 815 Series

Item Number	Description
602 AL	Aluminum
602 DUR	Duranodic



For 500 Series with Hold-Open Arm

Item Number	Description
HO609 AL	Aluminum
HO609 DUR	Duranodic



For 900 Series

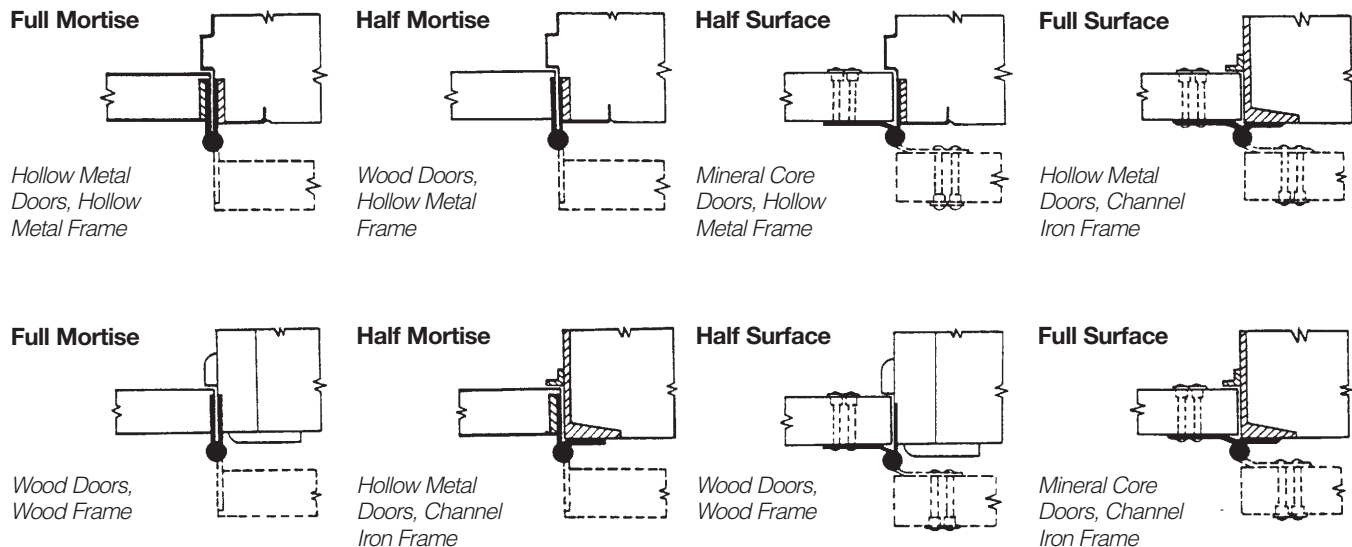
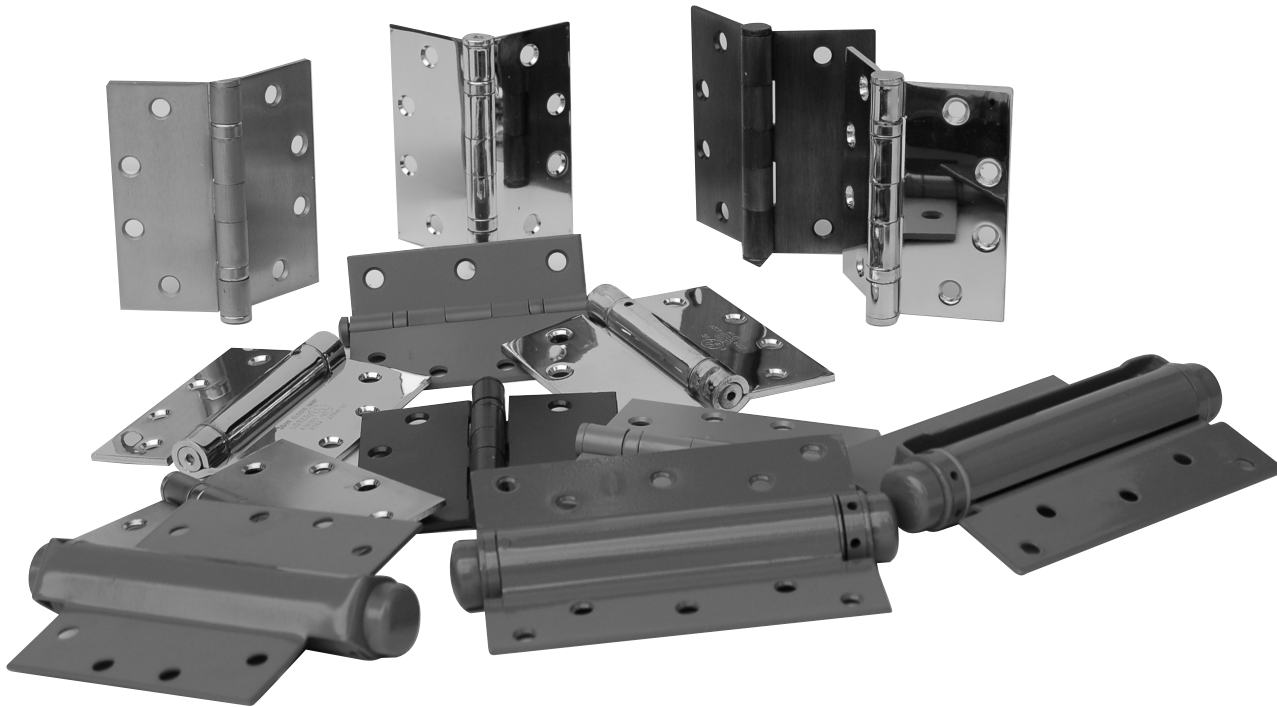
Item Number	Description
608 AL	Aluminum
608 DUR	Duranodic

Hinges

Hinges make the door. For without quality hinges, the world's greatest door is a creaking menace to traffic. So, correctly selecting hinges is a crucial job for any construction project that involves doors.

The simplest way to select good hinges is to check and see if hinges meet requisite ANSI or UL standards, where those standards are applicable. Be smart, and buy from a maker you can trust, one with over 100 years in the door hardware business, S. Parker Hardware.

Door Hinges



1279 Series Door Hinges

S. Parker 1279 series ball bearing template butt hinges are made to genuinely close tolerances to fit standard template cutout and screw hole locations in hollow metal doors and metal frames manufactured to conform to a similar template. Hinges also meet applicable ANSI (American National Standards Institute) dimension standards.

Hinges are loose pin, unless otherwise stated, and are fully swaged for smooth operation, and long life. 4½" x 4½" hinges are .134" (more than ⅛") thick for extra strength.

Hinges are packed with all machine screws and half wood screws. Type FF-H-116A.



Size of Opening:	3½" x 3½"	4" x 4"	4½" x 4"	4½" x 4½"	5" x 5"
Thickness of Metal:	0.119"	0.129"	0.134"	0.134"	0.160"
No. of Screw Holes per Hinge:	6	8	8	8	8
Machine Screw Size:	½ x 10-24	½ x 10-24	½ x 12-24	½ x 12-24	½ x 12-24
Wood Screw Size:	1 x 9	1 x 9	1¼ x 12	1¼ x 12	1¼ x 12
No. of Pairs in Case:	30	30	24	24	18
No. of Machine Screws Bx:	18	24	24	24	24
No. of Wood Screws Bx:	9	12	12	12	12

Door Hinges

Ball Bearing Hinges

Product Number	Description
----------------	-------------

Ball Bearing Prime Coat Gray USP

- B1279 PC3H.....3½" x 3½"
- B1279 PC4.....4" x 4"
- B1279 PC4H.....4½" x 4½"
- B1279 PC4HN.....4½" x 4½" Fixed Pin
- B1279 PC5.....5" x 5"

Ball Bearing Prime Coat Aluminum US28

- B1279 AL4.....4" x 4"
- B1279R AL4H4N.....4½" x 4" Fixed Pin with ¼" Radius Corners

Ball Bearing Brass Plated US4

- B1279 BP3H.....3½" x 3½"
- B1279 BP4H.....4½" x 4½"
- B1279 BP4HN.....4½" x 4½" Fixed Pin
- B1279 BP5.....5" x 5"

Ball Bearing Oil Rubbed Bronze US10B

- B127910 B4H.....4½" x 4½"

Ball Bearing Dull Chrome Plated US26D

- B1279 DCH3H.....3½" x 3½"
- B1279 DCH4.....4" x 4"
- B1279R DCH4H4.....4½" x 4" with ¼" Radius Corners
- B1279R DCH4H4N.....4½" x 4" Fixed Pin with ¼" Radius Corners
- B1279 DCH4H.....4½" x 4½"
- B1279 DCH4HN.....4½" x 4½" Fixed Pin
- B1279 DCH5.....5" x 5"
- B1279 DCH4H4N.....4½" x 4" Fixed Pin

Product Number	Description
----------------	-------------

Ball Bearing Duranodic

- B1279 DUR4.....4" x 4"
- B1279 DUR4H.....4½" x 4½"
- B1279 DUR4HN.....4½" x 4½" Fixed Pin
- B1279R DUR4H4.....4½" x 4" with ¼" Radius Corners
- B1279R DR4H4N.....4½" x 4" Fixed Pin with ¼" Radius Corners

Ball Bearing Polished Brass Plated US3

- B1279 PBP4H.....4½" x 4½"

Ball Bearing Polished Chrome Plated US26

- B1279 PCH4H.....4½" x 4½"
- B1279 PCH4H4.....4½" x 4"

Ball Bearing Extra Heavy Weight 4 Ball Bearings .180 Thick US26D

- B1299 DCH4H.....4½" x 4½" Dull Chrome
- B1299 DCH4HN.....4½" x 4½" Dull Chrome Fixed Pin
- B1299 DCH54HN.....5" x 4½" Dull Chrome Fixed Pin

Most Hinges are available as Plain Bearing Hinges.

Please see our full-size S.Parker Catalog for the full selection of Door Hinges in more styles.

1100 Series Door Hinges

Half surface template hinges mount on the surface of the door and are mortised into the jamb. They work well in applications where the door has a normal hinge bearing surface—the edge—that won't hold screws well.

These S. Parker half-mortise template hinges fit applicable, matching template-guided recesses in the jamb and have industry standard offset. The 1138 model fits the newer standard offset for 4½" hinges.

Most sizes are available in either brass plated or prime coated finishes to suit most job finishing needs. The hinges are available in plain and ball bearing models and with fixed pins.



With standard industry offset



1138

Size of Opening:	4½" x 4½"	5" x 5"
Thickness of Metal:	.134"	.134"
Number of Screw Holes:	8	8
Machine Screw Size:	½ x 12-24	½ x 12-24
Wood Screw Size:	1¼ x 12	
Number of Pairs in Case:	18	18
Number of Machine Screws:	12	16
Number of Thru Bolts:	9	9

Half Surface Door Hinges

Product Number	Description
----------------	-------------

Ball Bearing Loose Pin

B1138 PC4H4½" Prime Coat
B1138 BP4H4½" Brass Plated

Ball Bearing Fixed Pin

B1138 PC4HN4½" Prime Coat
B1138PC5N5" Prime Coat

Product Number	Description
----------------	-------------

Plain Bearing Loose Pin

1138 PC4H4½" Prime Coat
1138 BP4H4½" Brass Plated

Plain Bearing Fixed Pin

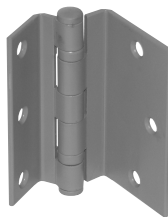
1138 PC4HN4½" Prime Coat
------------	---------------------

Door Hinges

Full Surface and Half Mortise Butt Door Hinges

Full Surface 1129 Butt Hinges

are for use on Kalamein doors with channel iron jambs and are applied to the surfaces of both the door and the jamb. 1129 hinges are packed with ½ machine and ½ sex bolts.



Half Mortise B1130 Butt Hinges

are for use on hollow metal or wood doors with channel iron jambs, and are mortised into the doors, and applied to the surface of the jamb. The leaves are beveled on the half mortise version, while the full surface butt style is reversible.



All are available prime coated, and fit the applicable dimension templates. Both types use ball bearings for greatest durability under heavier use. B1130 hinges are packed with all machine (24) and half wood (12) screws.

Product Number	Description
----------------	-------------

B1129 PC4H4½" Prime Coat Loose Pin
B1129 PC4HN4½" Prime Coat Fixed Pin

Product Number	Description
----------------	-------------

B1130 PC4H4½" Prime Coat Loose Pin
B1130 PC4HN4½" Prime Coat Fixed Pin

Non-Template Butt Hinges

S. Parker non-template butt hinges are available with square or radiused corners. The rounded corners come in 1/4" and 5/8" radiuses in the 3 1/2" x 3 1/2" size and 1/4" in the 4" x 4" size. The square corner hinge is Type FFH-116-2125.



**Square
Corners**



**Round
Corners**

With Square Corners

Product Number	Description
1240 BP3	.3" x 3" Brass Plated
1240 PBP3	.3" x 3" Polished Brass Plated
1240 BP3H	.3 1/2" x 3 1/2" Brass Plated
1240 BP4	.4" x 4" Brass Plated

With Rounded Corners

Product Number	Description
1240 RBP3Q	.3" x 3" Brass Plated with 1/4" Radius
1240 RBP35E	.3" x 3" Brass Plated with 5/8" Radius
1240 RBP3HQ	.3 1/2" x 3 1/2" Brass Plated with 1/4" Radius
1240 RBP3H5E	.3 1/2" x 3 1/2" Brass Plated with 5/8" Radius
1240 RDCH3H5E	.3 1/2" x 3 1/2" Dull Chrome with 5/8" Radius
1240 RBP4Q	.4" x 4" Brass Plated with 1/4" Radius
1240 RBP45E	.4" x 4" Brass Plated with 5/8" Radius

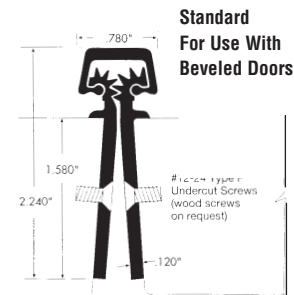
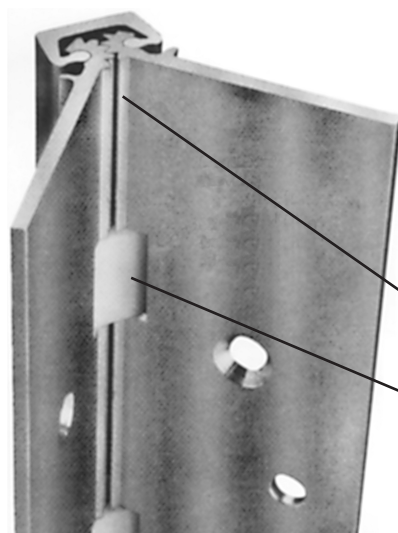
Continuous Gear Door Hinges

The Equalizer™ Gear Door Hinges

Brings Old Doors Back To Life

High-performance, heavy-duty integrated door hinges that help dissipate kick-back and impact shock while maintaining smooth, effortless door swing. Unlike conventional hinges, the EQUALIZER hinge spreads stress along the full length of the door and frame. Made of heavy-gauge aluminum alloy in two finishes, with solid support blocks of self-lubricating DELRIN EQUALIZER is perfect for retrofit construction – even door frames so battered they can't support regular hinges. Makes old doors hang like new. Much cheaper than replacing an entire metal door. The EQUALIZER system is tamperproof and weather-resistant and is available for doors up to nine feet high.

- Eliminates finger pinch point
- Hinges are non-handed
- Custom lengths available on request
- Ideal replacement hinge
- Replaces pivots and seized-up butt hinges
- Compact, low profile continuous hinge
- Available in aluminum or dark anodized Duranodic finishes



Concealed Mounting
Item # FS910AL & FS910DUR

Clean Line And Slim Profile

DELRIN Support Blocks Are Long Wearing And Self-Lubricating

The Equalizer™ Gear Door Hinges

Product Number	Description
FS910AL	7 Ft. Aluminum Full Mortise Hinge
FS910DUR	7 Ft. Duranodic Full Mortise Hinge
FS920AL	7 Ft. Aluminum Half Surface Hinge
FS920DUR	7 Ft. Duranodic Half Surface Hinge
FS930AL	7 Ft. Aluminum Full Surface Hinge
FS930DUR	7 Ft. Duranodic Full Surface Hinge
FS940AL	8 Ft. Aluminum Full Surface Hinge
FS940DUR	8 Ft. Duranodic Full Surface Hinge
FS910A/96	8 Ft. Aluminum Full Mortise
FS910D/96	8 Ft. Duranodic Full Mortise
FS930ALDB	7 Ft. Aluminum Full Surface Double Bearing

Door Hinges

UL 1200 Spring Door Hinges (Door Closer Hinges)

Spring hinges use the energy stored during the opening swing, in the coiled spring, to close the door. For doors to 60 pounds, use one UL and two same size ball bearing hinges. For doors to 110 pounds, use two UL hinges and one same size ball bearing hinge. For doors to 160 pounds, use three UL hinges. For doors over 4' wide and 8' tall and 1 1/4" thick, use four UL hinges.

- 4 1/2" hinges are packed with all machine (16) and half wood (8) screws per pair.
- 3 1/2" hinges are packed with 12 wood and 5 machine screws.
- 4" hinges are packed with 8 wood and 4 machine screws.

UL 1200 Series Door Hinges

Product Number	Description
Spring Hinge Top Adjustment 4 1/2 x 4 1/2	
UL1278PC.....	Prime Coat
UL1278DCH.....	Dull Chrome Plated
UL1278BP.....	Brass Plated
UL127810B.....	Oil Rubbed Bronze
UL1278PB.....	Polished Brass
UL1278PCH.....	Polished Chrome
UL1278DUR.....	Duranodic
UL 1278SS.....	Stainless Steel
UL1278TP.....	Tension Pins

1200 Series Door Hinges

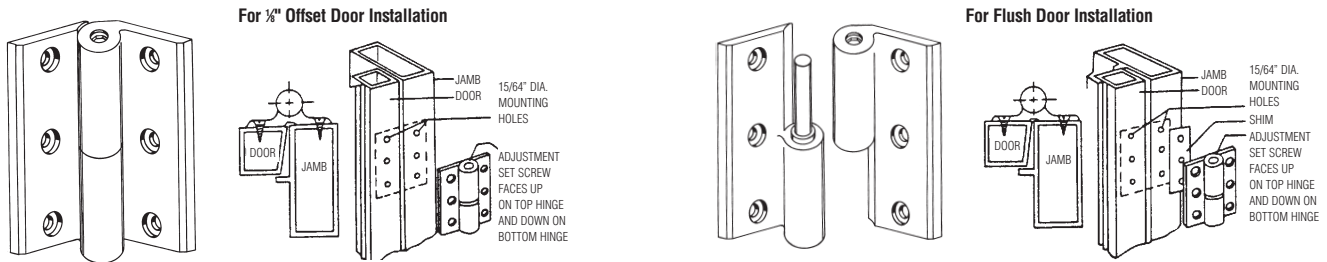
Product #:	Description
Spring Butt Hinge Radius Corners	
1253HBP.....	3 1/2" x 3 1/2" Brass Plated with 5/8" Radius
1253HBPQ.....	3 1/2" x 3 1/2" Brass Plated with 1/4" Radius
1253HC.....	3 1/2" x 3 1/2" Brass Plated with 1/4" Radius Carded
10668.....	4" x 4" Brass Plated with 5/8" Radius

Door Hinges

Universal Replacement Door Hinges

The S. Parker UR5 Universal Replacement Hinge Kit is for aluminum storefront doors, and strengthens and bolsters sagging doors. The kit is designed to handle doors to 300 pounds, and are easily and quickly installed: installation takes about 20 minutes, and the kit is guaranteed for five years. The kit works on doors with a 1/8" offset or flush doors, using included shim plates for the flush door installation.

The door is then easily raised, or lowered, using an Allen wrench. The hinges feature roller bearings for smooth operation, and are manufactured of heavy duty material that is anodized to prevent corrosion. There are two 5" x 3 1/4" x 1/4" thick hinges in each kit, along with two 1/8" thick shim plates, 12 one-way screws, four cover plates and the required Allen wrench. Instructions are also included.



Universal Replacement Hinge Kit

Product Number	Description
UR5AL.....	Aluminum Finish – Non-handed
UR5DUR.....	Duranodic Finish – Non-handed

Door Hinge Accessories

Rubber Door Silencer

The S. Parker 240 rubber door silencer is for metal door frames, and prevents a jarring, noisy collision between door and frame.



Product #	Description
240.....	Gray Rubber

Heavy Duty Coil Door Springs

Coil door springs pull doors shut, with adjustable tension. Available in black, they are carded, with screws, in 9", 11", 13" and 14" sizes (45009; 45011; 45013; 45014). 1 per card.



Product #	Description
45009.....	9" Black 1 Per Card
45011.....	11" Black 1 Per Card
45013.....	13" Black 1 Per Card
45014.....	14" Black 1 Per Card

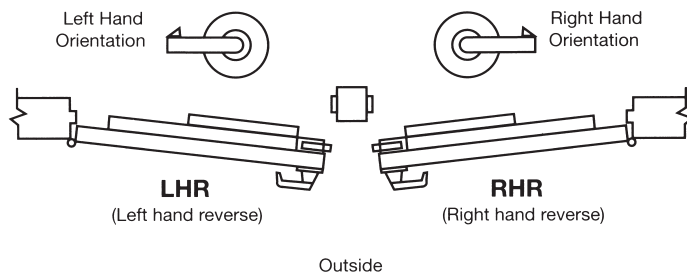
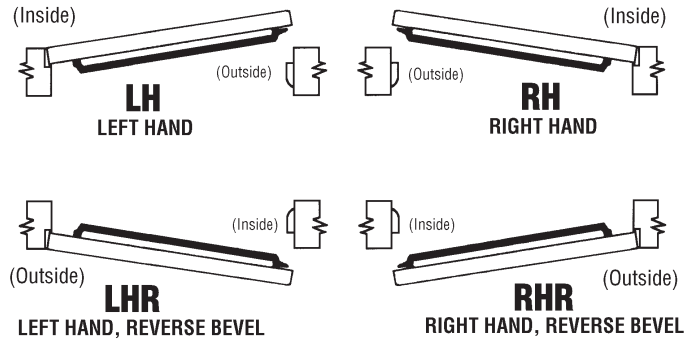
Exit & Panic Devices

Reversible rim type touch bar exit devices feature deadlatching, and are non-handed (right or left opening), and easily installed. Hex key dogging is used, and the devices are available with exterior access accessories such as ball or lever keyed locks. Each unit is packed with a rim strike, shim and a complete kit of fasteners, including mounting templates and easy to follow instructions. The units are also Underwriter Laboratories listed and several are 1½ hour fire rated.

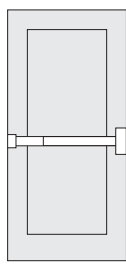


Hand of Door:

The Hand of Doors, including double acting, is determined from the Outside or Lock Side of the door to which it is applied. If standing outside, the door Opens From you it is a Regular Bevel door, if Opening Toward you, it is a reverse bevel door.

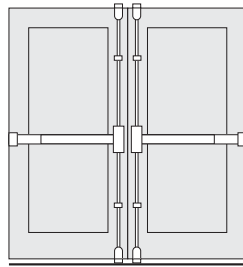


Single Door



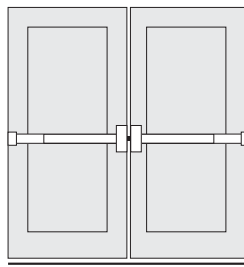
Vertical Rod type or Rim type. Surface applied 2 point lock. Surface application

Pair Doors Opening Same Direction



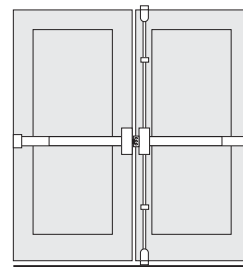
2 Vertical Rod type. Surface applied 2 point locking both doors. Each door active same direction. Do not use with overlapping astragal.

Pairs of Doors with Mullion



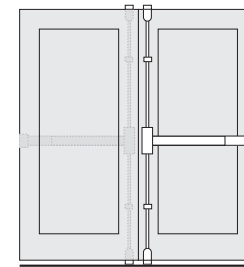
2 Horizontal type with Mullion. Two independent active doors with full double door openings when required. Same direction.

Pairs of Doors without Mullion



1 Vertical Rod and 1 Rim type. Both devices are surface applied. A coordinator and overlapping strike is recommended.

Pair Doors Opening Opposite Direction



2 Vertical Rod type. Double egress surface applied. 2 point locking both doors opposite directions.

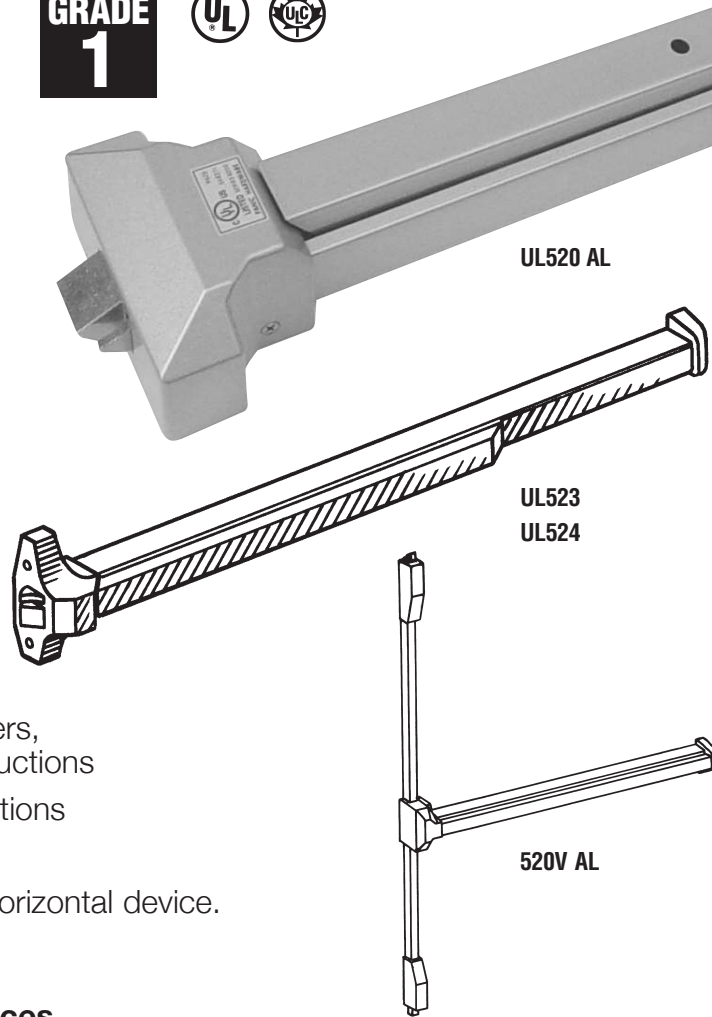
520 Series Exit Device



ANSI Grade 1 Reversible Rim Type

Horizontal reversible, rim type touch bar exit devices UL and KUL 520 series fit a 36" to 48" wide door, and can be used with a cylinder, keyed ball knob, or keyed lever, or a pull. Available in aluminum, or duranodic finishes. The UL520 devices are packed with latch and strike filler plates. Available in aluminum, and duranodic finishes may also be used with a cylinder, key ball knob, keyed lever, thumb piece trim, passage function trim, or a pull with rim cylinder.

- Deadlatching
- Non-handed for use on right or left opening doors
- Easy to install new or replacement
- Complete with rim strike latch, shim, fasteners, mounting templates and easy to follow instructions
- Vertical panic device for double door installations
- Vertical unit can be cut to size.
- Vertical Touch Bar is used with the UL520 horizontal device.
- Doggable



Contractor Quality® Touch Bar Panic Devices

Product Number	Description
Rim, Reversible Panic Device	
UL520 AL - Grade 1	Aluminum Finish Adjustable for Doors 25"-36" Wide
UL520AL48 - Grade 1	Aluminum Finish Adjustable for Doors 30"-48" wide (can be cut)
UL520 DUR - Grade 1	Duranodic Finish Adjustable for Doors 25"-36" Wide
UL520 PB - Grade 1	Polished Brass Finish Adjustable for Doors 25"-36" Wide
UL520 DCH - Grade 1	Dull Chrome Finish Adjustable for Doors 25"-36" Wide
UL520SB - Grade 1	Satin Brass Finish for Doors 25"-36" Wide
SUL520AL - Grade 1	Aluminum Finish adjustable for Doors 25"-36" Wide with sex bolts
SUL518AL - Grade 1	Aluminum Finish adjustable for Doors 25"-36", UL Panic less dead latch with sex bolts
UL523 AL	Aluminum Finish for Doors 25"-36" Wide — 2/3 Push Bar Length
UL523 DUR	Duranodic Finish for Doors 25"-36" Wide — 2/3 Push Bar Length
UL524 AL	Aluminum Finish for Doors 25"-48" Wide — 2/3 Push Bar Length
UL524 DUR	Duranodic Finish for Doors 25"-48" Wide — 2/3 Push Bar Length

Panic Device and Keyed Ball Knob

- KUL520 AL - Grade 1Aluminum Finish with Ball Knob Lockset Packed Together
- SKUL520AL - Grade 1Aluminum Finish with Ball Knob Lockset Packed Together and sex bolts

Vertical Touch Bar Fits 8' Standard Door

- 520V AL - Grade 1Aluminum Finish for Double Door Installation
- 520V DUR - Grade 1Duranodic Finish for Double Door Installation
- 520V PB - Grade 1Polished Brass Finish for Double Door Installation
- 520V DCH - Grade 1Dull Chrome Finish for Double Door Installation
- 520V SB - Grade 1Satin Brass Finish for Double Door Installation
- 520V RC - Grade 1Rod Extenders to fit Doors up to 10'

Panic Devices

52000 Series Exit Device

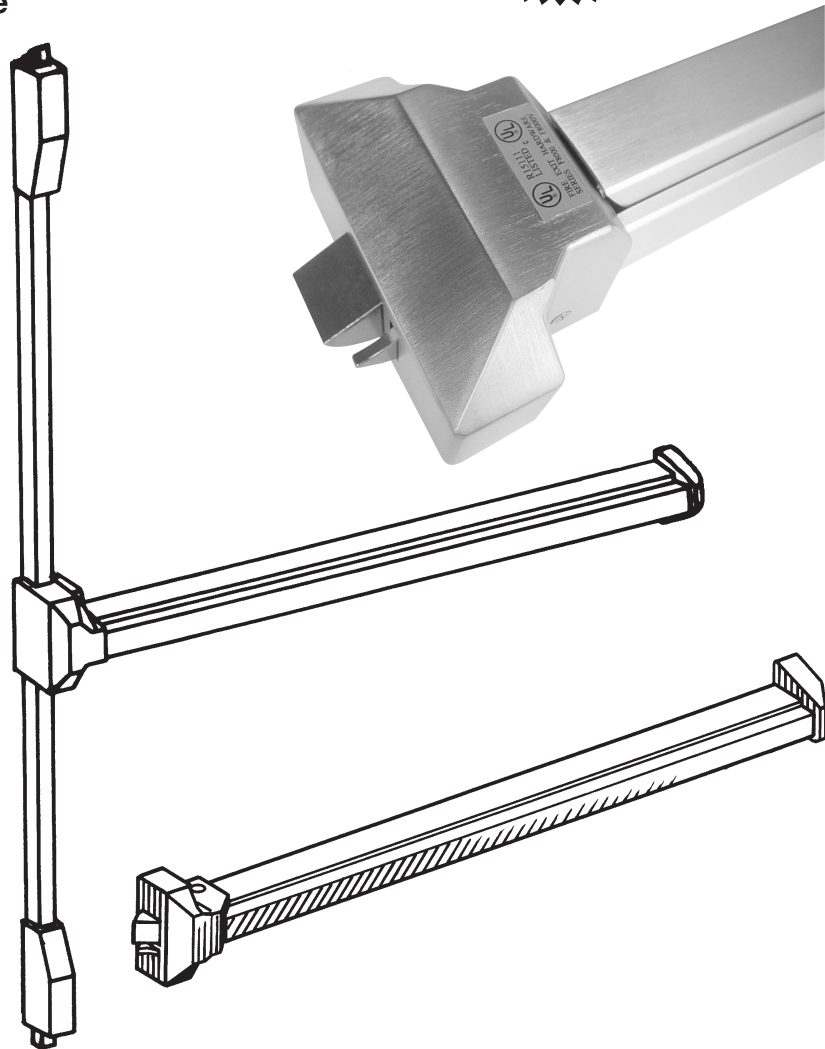


ANSI Grade 1 Reversible Rim Type

These top performing UL fire rated panic devices are made for high traffic areas such as hospitals, schools and other public use buildings. An ideal companion product for ADA compliant installations. Available in aluminum finish, may also be used with a cylinder, keyed ball knob, keyed lever, thumb piece trim, passage function trim, or a pull with rim cylinder.

The devices are UL listed and fire rated (1½ hour)

- Aluminum Body with a Stainless Steel Head and Tailpiece
- PB = US3 Finish
- Dogging device is not available on fire-rated device



1½ Hour Fire Rated Reversible Rim Type Contractor Quality® Touch Bar Exit Devices

Product Number	Description
----------------	-------------

Fire Rated Panic Devices

52029.....	Horizontal Type Aluminum 1½ hr. UL Fire Listed
52029SPA.....	Horizontal Type Aluminum 1½ hr. UL Fire Listed
52029SPA48.....	48" Horizontal Type Aluminum 1½ hr. UL Fire Listed
52031.....	Vertical Type Aluminum 1½ hr. UL Fire Listed
52031SPA.....	Vertical Type Aluminum 1½ hr. UL Fire Listed
52031SPA48.....	48" Vertical Type Aluminum 1½ hr. UL Fire Listed
52028PB.....	Horizontal Type Polished Brass Finish UL Fire Listed
52030PB.....	Vertical Type Polished Brass Finish UL Fire Listed

Panic devices can be cut to size (horizontally or vertically)

Panic Devices

525 Series Exit Device

GRADE 1

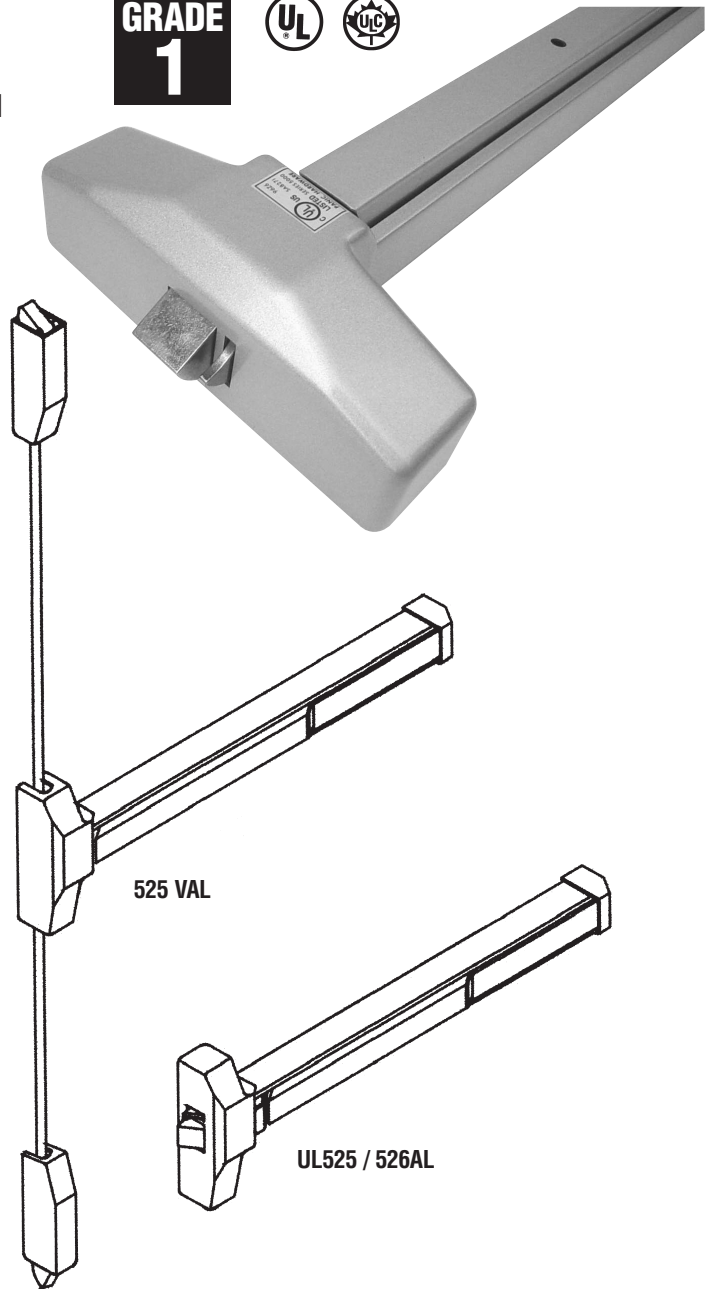


525 Series Panic Device with Square Head

Horizontal reversible, rim type touch bar exit devices UL525 series fit a 25" to 36" wide door, and UL526 fits a 25" to 48" wide door, and can be used with a cylinder, keyed ball knob or keyed lever or a pull. Available in aluminum, or duranodic finishes. Devices are packed with latch and strike filler plates.

Available in aluminum finish, may also be used with a cylinder, key ball knob, keyed lever, thumb piece trim, passage function trim, or a pull with rim cylinder.

- Deadlatching
- Non-handed for use on right or left opening doors
- Easy to install new or replacement
- Complete with rim strike latch, shim, fasteners, mounting templates and easy to follow instructions
- Vertical panic device for double door installations
- Vertical unit can be cut to size. Fits doors up to 96"
- UL listed are Doggable
- ANSI Grade 1 Approved



Panic Devices

ANSI Grade 1 525 Series Panic Device

Product Number	Description
Rim Reversible Panic Device	
UL525AL	Aluminum Finish Adjustable for Doors 25"-36" wide
UL525DCH	Dull Chrome Finish Adjustable for Doors 25"-36" wide
UL526AL	Aluminum Finish for Doors 25"-48" wide
Vertical Touch Bar	
525VAL	Aluminum finish for Double Doors Installation
525VDCH	Dull Chrome finish for Double Doors Installation
Fire Rated Panic Devices US26D Finish	
52529	Horizontal Type 1½ hr. UL Fire Listed
52531	Vertical Type 1½ hr. UL Fire Listed
525VEXT	Extension Kit for 10' Door



540 Series Narrow Stile Exit Device

This premium, heavy-duty crossbar device is constructed of true architectural materials and will provide many years of quiet and dependable service. Available both as RIM and Concealed Vertical Rod models for application to narrow, medium and wide stile aluminum storefront doors. Ideal for reliable, maintenance-free service in high abuse areas, the #540V and the #UL540 are anodized (not painted). They exceed all life safety code requirements and are always available in aluminum (clear) or dark bronze (duranodic) for immediate shipment from inventory. Rim and Mortise Cylinders are also available and can be supplied.

The UL 540 is operated by a standard rim cylinder and is surface mounted. It features the roller strike and includes the standard function which allows the key to be removed in either the locked or unlocked position. As an option, the UL540 is offered with the night latch function, which allows the key to be removed from the cylinder only if the cylinder is in the locked position.

- Designed for application to a single or a pair of aluminum doors (separated by a mullion)
- Dual dogging via pins (below housing) or by the outside
- Operated by a standard rim cylinder
- Cross bar is supplied in a 48" standard length and can be easily cut to any size
- Available in aluminum (clear) and Dark Bronze (duranodic) Anodized Finishes
- For outside trim use with mortise cylinder, Adams-Rite® cam and mounting pad



Cylinder mounting pad and nut available for use with 1¼" mortise cylinder

Panic Devices

UL540 Horizontal Rim Exit Device

Product Number	Description
540AL.....	48" Exit Device in Aluminum (Clear) Finish – UL Listed with concealed vertical rods
540DUR.....	48" Exit Device in Dark Bronze (Duranodic) Finish – UL Listed with concealed vertical rods
UL540ALL.....	48" Exit Device in Aluminum (Clear) Finish Left Hand – UL Listed
UL540ALR.....	48" Exit Device in Aluminum (Clear) Finish Right Hand – UL Listed
UL540DURL.....	48" Exit Device in Dark Bronze (Duranodic) Finish Left Hand – UL Listed
UL540DURR.....	48" Exit Device in Dark Bronze (Duranodic) Finish Right Hand – UL Listed

Accessories (In Stock)

PH540AL.....	Pull Handle in Aluminum (Clear) Finish
PH540DUR.....	Pull Handle in Dark Bronze (Duranodic) Finish
CMP540VAL.....	Cylinder Mounting Pad for the #540VAL Device
CMP540VDUR.....	Cylinder Mounting Pad for the #540VDUR Device

Panic Device Accessories

Lever Keyed Locks

Series LL520 lever keyed locks, in dull chrome, are available for the UL520 UL523, UL524, UL 525, UL 526 and 520V panic exit devices. Fits a standard ANSI #161 cutout.



Product Number	Description
----------------	-------------

Entry Lever Trim

- LL520 DCH.....Dull Chrome Finish
- LL520 PBPolished Brass Finish
- LL520 DCHIC*Accepts IC Core Dull Chrome Finish**
- LL520 DUR.....Duranodic Finish
- LL520 SBSatin Brass Finish
- CSLL520DCH.....Lever Trim w/Clutch



Solid Spindle Tailpiece

- SLL520DCHLever Trim
- SLL520DCHKU.....Lever Trim
- SLL520DCHKW.....Lever Trim
- SLL520DCHKX.....Lever Trim
- SLL520DCHKY.....Lever Trim
- SLL520DCHKZ.....Lever Trim
- RLL520DCHSR Trim Style

Pull x Escutcheon Trim

- EP520DCHDull Chrome Finish With Cylinder
- EP520DCHLC.....Dull Chrome Finish Less Cylinder
- EL520DCHLever X Escutcheon Trim Ansi
- NEL520DCH.....Lever X Escutcheon Trim

Product Number	Description
----------------	-------------

Storeroom Lever Trim

- DLL520 DCHDull Chrome Finish
- DLL520 DCHIC*Accepts IC Core Dull Chrome Finish**
- DLL520 SBSatin Brass Finish
- RDLL520DCH.....Polished Brass Finish
- *Interchangeable core prep available
- *Core available See page 46

Passage Lever Trim

- NLL520 DCHDull Chrome Finish
- NLL520DURDuranodic Finish
- NL61DCH.....Dull Chrome for UL523/UL 524
- SNLL520DCH.....Lever Trim w/Solid Spindle Passage Function

Parts

- 520 PlateBackplate for KL520
- 520 StrikeStrike for UL520
- 520 VRCRod with Covers for 12' Door
- 523 PlateAnsi Cylinder Plate for UL523

Ball Knob Keyed Locks

Series KL520 ball knob keyed locks for the UL520, UL523, UL524, and 520V panic devices are available from stock keyed differently or alike, and come in stainless steel material. It fits a standard ANSI #161 Door Prep.



Product Number	Description
----------------	-------------

Entry/Classroom

- KL520 SS.....Stainless Steel Keyed Different
- KL520 SSKAStainless Steel Keyed Alike

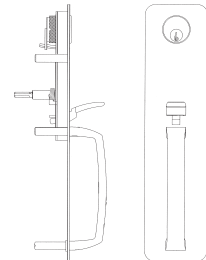
Storeroom

- DKL520SS.....Stainless Steel Keyed Different

Thumbpiece Trim x Escutcheon

Product #	Description
-----------	-------------

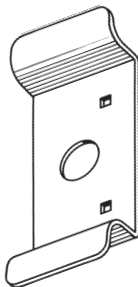
- TP520ALL*Thumbpiece Trim Aluminum LH
- TP520ALR*Thumbpiece Trim Aluminum RH
- TP520DURL*Thumbpiece Trim Duranodic LH
- TP520DURR*Thumbpiece Trim Duranodic RH



*Interchangeable core prep available – Core available see complete catalog. Handed – not field changeable.

Door Pull

The PC510 door pull has a cylinder hole, and fits any exit device. It comes in two finishes, aluminum and duranodic. The door pull covers a pre-existing ANSI #161 prepared door.

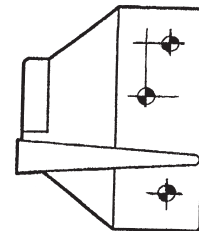


Product Number	Description
----------------	-------------

- PC510 AL.....Aluminum Finish
- PC510 DUR.....Duranodic Finish

Overlapping Strike

The overlapping strike for panic devices is used with a pair of doors, and is of zinc plated wrought steel.

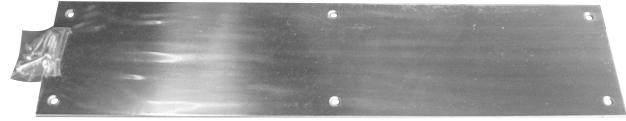


Product Number	Description
----------------	-------------

- OS508Zinc Plated For UL520/UL525/UL526
- OSAL3.....Zinc Plated For UL523/524

Kick Plates

Push-pull and kick plates save wear and tear, and dirt, on fragile door finishes. S. Parker has models in many materials, and finishes, all with matching screws. Choose from stainless steel, solid brass or aluminum in stock sizes 6" and 8" heights x 30" to 34" widths on kick plates.



Custom Kick plates are available, call for more information.

Stainless Steel KPSS Satin Finish US32D

High x Wide

4"	x	24"	26"	28"	30"	32"	34"	36"	38"	40"	42"	44"	46"	48"
6"	x	24"	26"	28"	30"	32"	34"	36"	38"	40"	42"	44"	46"	48"
8"	x	24"	26"	28"	30"	32"	34"	36"	38"	40"	42"	44"	46"	48"
10"	x	24"	26"	28"	30"	32"	34"	36"	38"	40"	42"	44"	46"	48"
12"	x	24"	26"	28"	30"	32"	34"	36"	38"	40"	42"	44"	46"	48"
14"	x	24"	26"	28"	30"	32"	34"	36"	38"	40"	42"	44"	46"	48"
16"	x	24"	26"	28"	30"	32"	34"	36"	38"	40"	42"	44"	46"	48"
18"	x	24"	26"	28"	30"	32"	34"	36"	38"	40"	42"	44"	46"	48"
20"	x	24"	26"	28"	30"	32"	34"	36"	38"	40"	42"	44"	46"	48"
22"	x	24"	26"	28"	30"	32"	34"	36"	38"	40"	42"	44"	46"	48"
24"	x	24"	26"	28"	30"	32"	34"	36"	38"	40"	42"	44"	46"	48"
30"	x	24"	26"	28"	30"	32"	34"	36"	38"	40"	42"	44"	46"	48"
36"	x	24"	26"	28"	30"	32"	34"	36"	38"	40"	42"	44"	46"	48"

Available up to 36" high

Polished Brass KPPB Polished Brass US3

High x Wide

6"	x	24"	26"	28"	30"	32"	34"	36"	38"	40"	42"	44"	46"	48"
8"	x	24"	26"	28"	30"	32"	34"	36"	38"	40"	42"	44"	46"	48"
10"	x	24"	26"	28"	30"	32"	34"	36"	38"	40"	42"	44"	46"	48"
12"	x	24"	26"	28"	30"	32"	34"	36"	38"	40"	42"	44"	46"	48"

Available up to 24" high

Aluminum KPAL Satin Finish US28

High x Wide

6"	x	24"	26"	28"	30"	32"	34"	36"	38"	40"	42"	44"	46"	48"
8"	x	24"	26"	28"	30"	32"	34"	36"	38"	40"	42"	44"	46"	48"
10"	x	24"	26"	28"	30"	32"	34"	36"	38"	40"	42"	44"	46"	48"
12"	x	24"	26"	28"	30"	32"	34"	36"	38"	40"	42"	44"	46"	48"
14"	x	24"	26"	28"	30"	32"	34"	36"	38"	40"	42"	44"	46"	48"

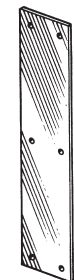
Available up to 36" high

Kick Plates

Push-Pull Plates

Push-pull plates save wear and tear, and dirt, on fragile door finishes, and are quickly and easily installed. S. Parker has models in many materials, and finishes, all with matching screws. Pull plates have handles sized to the scale of the plate. Stainless steel pull plates have a stainless steel handle.

Product # Description



Push Plates

- 284 AL12.....3" x 12" Aluminum
- 284 AL15.....3½" x 15" Aluminum
- 284 AL16.....4" x 16" Aluminum
- 284 PB12.....3" x 12" Polished Brass
- 284 PB15.....3½" x 15" Polished Brass
- 284 PB16.....4" x 16" Polished Brass
- 284 SS12.....3" x 12" Stainless Steel
- 284 SS15.....3½" x 15" Stainless Steel
- 284 SS16.....4" x 16" Stainless Steel

Product # Description



Pull Plates

- 285 AL12.....3" x 12" Aluminum
- 285 AL15.....3½" x 15" Aluminum
- 285 AL16.....4" x 16" Aluminum
- 285 PB12.....3" x 12" Polished Brass
- 285 PB15.....3½" x 15" Polished Brass
- 285 PB16.....4" x 16" Polished Brass
- 285 SS12.....3" x 12" Stainless Steel
- 285 SS15.....3½" x 15" Stainless Steel
- 285 SS16.....4" x 16" Stainless Steel

Leverset Technical Specifications:

Locksets, Leversets and Their Functions



Entry lock: (Front & Back) Entry locksets have push or push and turn button locking from the inside and key unlocking from the outside. Pushing or turning the button locks the outside knob or lever. A key is needed to enter from the outside unless the interior button is manually unlocked. The push or turn button locks the outside until the inside button is moved again.

Classroom lock: Classroom locksets always have the inside knob or lever unlocked. The outside knob or lever is locked and unlocked by key.

Cylinder Cross Reference

S.Parker	
Cyl.#	Desc.
AR1	Arrow K2, K6
CO1	Corbin 59, A1
CO2	Corbin 60
FA1	Falcon 1573, 1577
KW1	Kwikset
LO1	Lori Comp (SGT S, U Weslock, Harloc, Lori L200)
RU1	Russwin 981, 852
RU2	Russwin D1
SA1	Sargent LA-LC
SCE	Schlage E
SCC	Schlage C-K
YA8	Yale 8

Additional Keyways Master and Grand Master Available Upon Request.



Single Dummy Trim: Rigid trim for one side of door only. Use as a pull or to match active trim.

Bathroom and bedroom privacy lock: (Bed & Bath) Privacy locksets are locked with an inside push-button. Turning the inside knob or lever releases the lock. A small screwdriver can be used as an emergency key, from the outside, if necessary.

Non-Handed vs. Handed

All S.Parker Grade 1 and 2 cylindrical lever, and all knob locksets are non-handed. They can be used on right or left hand opening doors. Most Grade 3 locks are also non-handed. There are a few decorator levers that are specific to right or left hand door openings. They are noted appropriately.



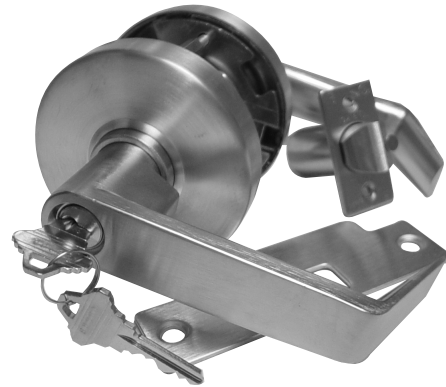
Storeroom lock: Storeroom locksets are always locked from the outside, so always need a key in the exterior knob or lever lock to unlock from the outside. The inside lever is always unlocked.

Passage set: (Closet & Hall) Passage locksets keep doors firmly closed with latch, but do not actually lock. Both knobs always turn free.

8161 Series Extra Heavy Duty Leversets

Grade 1 Extra Heavy Duty Contractor Quality® Leversets

- Meets or exceeds Federal ADA requirements
- UL latch bolt standard for every function, with 1/2" throw
- Large 3 1/2" diameter roses for new or replacement installations
- 4 7/8" ANSI strike is standard with each lock
- UL listed, 3-hour fire rated 2 3/4" backset commercial latch
- Extra heavy cylindrical construction for long-wearing durable use
- Extra heavy duty mounting plates are resistant to attack
- 6 pin tumbler, SC-1 Keyway, Pinned 5
- Mounting studs prevent chassis rotation from heavy torque to the outside lever
- Accepts Lori, DOM, or Medeco convert-a-lock cylinders
- Outside cylinder is easily removed for simple cylinder rekeying
- Dead locking latch on all keyed leversets
- Special keying available (Master and Grand Master)
- **C8161 keyed sets – All keyed sets are standard with clutch feature**



Grade 1 Leverset with Single Step Roses

Product Number	Description
----------------	-------------

Entry Lock Boxed

- C8161A03KDPolished Brass with Clutch
- C8161A10BKDOil Rubbed Bronze with Clutch
- C8161A26DKDDull Chrome with Clutch
- C8161A26DICDull Chrome for IC with Clutch

Classroom Lock Boxed

- C8161R03Polished Brass with Clutch
- C8161R10BOil Rubbed Bronze with Clutch
- C8161R26DDull Chrome with Clutch
- C8161R26DICDull Chrome for IC with Clutch

Storeroom Lock Boxed

- C8161D03KDPolished Brass with Clutch
- C8161D10BKDOil Rubbed Bronze with Clutch
- C8161D26DKDDull Chrome with Clutch
- C8161D26DICDull Chrome for IC with Clutch

Product Number	Description
----------------	-------------

Privacy Lock Boxed

- 8161P03Polished Brass
- 8161P10BOil Rubbed Bronze
- 8161P26DDull Chrome

Passage Set Boxed

- 8161N03Polished Brass
- 8161N10BOil Rubbed Bronze
- 8161N26DDull Chrome

Superior Duty Non-Clutch

- 8162A26DKDEntry Lever Dull Chrome
- 8162D26DStoreroom Lever Dull Chrome

Grade 1 Superior Duty Contractor Quality® Leversets

- Exceeds Federal ADA requirements
- 1/2" UL latch; 4 7/8" ANSI strike
- Heavy duty cage springs
- Three hour fire rated
- SC-1 Keyway, 6 pin tumbler, Pinned 5
- 2 3/4" backset
- Accepts most OEM cylinders
- Cold rolled steel construction
- 26D finish
- Federal Spec – FF-H-106C – ANSI A117.1 Code
- Patent # US5265924
- New optional through bolts

Locksets

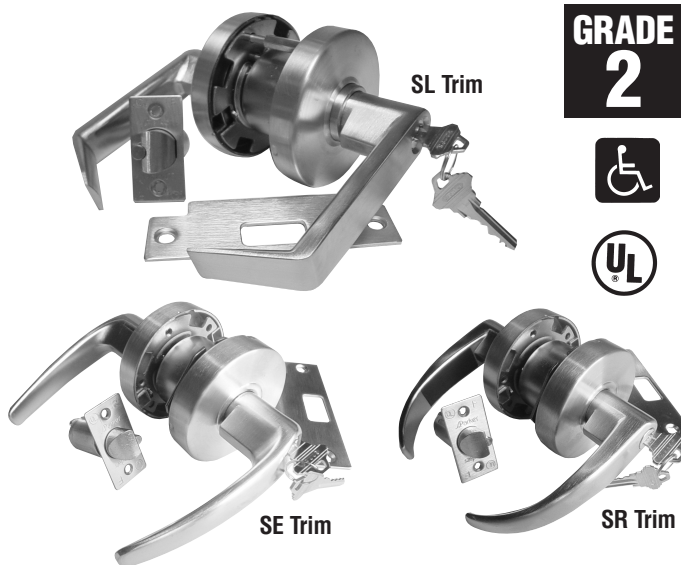


SL8160 Series Heavy Duty Leversets

Grade 2 Contractor Quality® Heavy Duty Cylindrical Leversets

UL listed, ADA approved Grade 2 barrier-free leversets are ready for all ADA and other needs in passage, privacy, storeroom, classroom and dummy functions, in addition to entry models. The customer may provide the lock cylinder and key. Leversets meet ANSI A156.2 Series 4000 Grade standards and more than fulfill ADA requirements. The ANSI Series 4000 standard exceeds 400,000 operating cycles. S. Parker leverset features and functions include:

- Single step roses
- Cold rolled steel housing
- Reversible, non-handed
- Fits doors from 1 3/8" to 1 3/4" thick
- 2 3/4" backset UL listed latch bolt. Standard for all functions.
- 2 3/8" BS available upon request
- 1 1/4" x 4 7/8" ANSI strike. Standard for all leversets, all functions.
- 6 pin solid brass SC-1 ILCO #1145 keyway, keyed to 5 pins
- Special keying available (Master and Grand Master)
- 2 keys
- Separate lever spring mechanisms help prevent sag
- 1/2" throw solid brass latch-bolt, UL listed, three hour fire rated
- Full 5" long handles on all levers in all functions
- Accepts Lori 1539/1590; ILCO 7035; DOM 1x5HT Medeco 20-200A1 or ASSA cylinder plugs
- Convertible Posts



SL8160 Series with Single Step Roses

Product Number	Description
----------------	-------------

Entry Lock Boxed

SL8160A03KD	Polished Brass Keyed Different
SL8160A03KU	Polished Brass KU
SL8160A04KD	Satin Brass Plated Keyed Different
CSL8160A03KD	Polished Brass (Clutch)
SL8160A04KU	Satin Brass Plated Key #U
SL8160A10BKD	Oil Rubbed Bronze Keyed Different
CSL8160A10BKD	Oil Rubbed Bronze (Clutch)
SL8160A10BK_ (add KA#)	Oil Rubbed Bronze Key #U, #W, #X
SL8160A26DKD	Dull Chrome Keyed Different
CSL8160A26DKD	Dull Chrome (Clutch)
SL8160A26DK_ (add KA#)	Dull Chrome Key #U, #W, #X
SL8160A26DMKD	Dull Chrome Master Keyed
SL8160A26DK2	Dull Chrome Keyed Alike in 2
SL8160A26DIC	Dull Chrome Accepts IC
SL8160A26KD	Polished Chrome Keyed Different
SL8160A26KU	Polished Chrome Key #U

Passage Set Boxed

SL8160N03	Polished Brass
SL8160N10B	Oil Rubbed Bronze
SL8160N26	Polished Chrome
SL8160N26D	Dull Chrome
SL8160N04	Satin Brass Plated

Privacy Lock Boxed

SL8160P03	Polished Brass
SL8160P10B	Oil Rubbed Bronze
SL8160P26	Polished Chrome
SL8160P26D	Dull Chrome
SL8160P04	Satin Brass Plated

Product Number	Description
----------------	-------------

Storeroom Lock Boxed

SL8160D03	Polished Brass
CSL8160D03	Polished Brass (Clutch)
SL8160D10B	Oil Rubbed Bronze
CSL8160D10B	Oil Rubbed Bronze (Clutch)
SL8160D10BIC	Oil Rubbed Bronze Accepts IC
SL8160D26	Polished Chrome
SL8160D26D	Dull Chrome
CSL8160D26D	Dull Chrome (Clutch)
SL8160D26DIC	Dull Chrome Accepts IC
SL8160D04	Satin Brass Plated
SL8160R26DINT	Intruder Dull Chrome
SL8160R26DINTIC	Intruder Dull Chrome for IC
SL816RDC26D	Double Cylinder Dull Chrome

Classroom Lock Boxed

SL8160R03	Polished Brass
SL8160R10B	Oil Rubbed Bronze
CSL8160R10B	Oil Rubbed Bronze (Clutch)
SL8160R26	Polished Chrome
SL8160R26D	Dull Chrome
CSL8160R26D	Dull Chrome (Clutch)
SL8160R26DIC	Dull Chrome Accepts IC
SL8160R04	Satin Brass Plated
SL8160RDC26D	Double Cylinder Dull Chrome

Dummy Levers Boxed

SL8160Y03	Polished Brass
SL8160Y10B	Oil Rubbed Bronze
SL8160Y26	Polished Chrome
SL8160Y26D	Dull Chrome

Twin Connecting Boxed

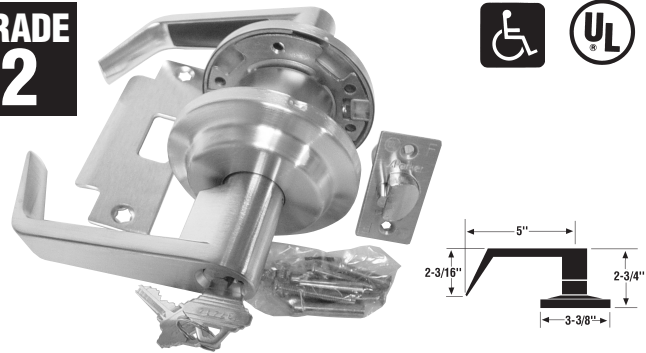
SL8160TC03	Polished Brass
SL8160TC10B	Oil Rubbed Bronze
SL8160TC26D	Dull Chrome

Locksets



SL7160 Series with Two Step Rose

UL listed, ADA approved Grade 2 barrier-free leversets are ready for all ADA and other needs in passage, privacy, storeroom, classroom and dummy functions, in addition to entry models. The customer may provide the lock cylinder and key. Leversets meet ANSI A156.2 Series 4000 Grade standards and more than fulfill ADA requirements. The ANSI Series 4000 standard exceeds 400,000 operating cycles. S. Parker lever set features and functions include:



- Two step rose
- Cold rolled steel housing
- Reversible, non-handed
- Fits doors from 1 3/8" to 1 3/4" thick
- 2 3/4" backset UL listed latch bolt. Standard for all functions.
- 2 3/8" backset latchbolt available
- 1 1/4" x 4 7/8" ANSI strike. Standard for all leversets, all functions.
- 6 pin solid brass SC-1 keyway, ILCO #1145, keyed to 5 pins
- Special keying available (Master and Grand Master)

- 2 keys
- Separate lever spring mechanisms help prevent sag
- 1/2" throw solid brass latch-bolt, UL listed, three hour fire rated
- Full 5" long handles on all levers in all functions
- Accepts Lori 1539/1590; ILCO 7035; DOM 1x5HT Medeco 20-200A1 or ASSA cylinder plugs
- Convertible Posts

SL7160 Grade 2 Leverset with Two Step Rose

Product Number	Description
----------------	-------------

Entry Lock Boxed

SL7160A03K2	Polished Brass Keyed Alike in 2
SL7160A03KD	Polished Brass Keyed Different
SL7160A03KU (add KA #)	Polished Brass Key
SL7160A03MKD	Polished Brass Master Keyed
SL7160A03KDE	Polished Brass Keyed Different 2 5/8" B.S.
CSL7160A03KD	Polished Brass Keyed Diff. (Clutch)
SL7160A10BKD	Oil Rubbed Bronze Keyed Different
SL7160A10BKU (add KA #)	Oil Rubbed Bronze Key
SL7160A26DK2	Dull Chrome Keyed Alike in 2
SL7160A26DKD	Dull Chrome Keyed Different
CSL7160A26DKD	Dull Chrome Keyed Different (Clutch)
SL7160A26DKU (add KA #)	Dull Chrome Key
SL7160A26DMKD	Dull Chrome Master Keyed
SL7160A26DKDE	Dull Chrome Keyed Different 2 5/8" B.S.
SL7160A26KD	Polished Chrome Keyed Different
SL7160A26KU	Polished Chrome Key #U

Passage Set Boxed

SL7160N03	Polished Brass
SL7160N10B	Oil Rubbed Bronze
SL7160N26	Polished Chrome
SL7160N26D	Dull Chrome
SL7160N26DE	Dull Chrome 2-3/8" B.S.

Privacy Lock Boxed

SL7160P03	Polished Brass
SL7160P10B	Oil Rubbed Bronze
SL7160P26	Polished Chrome
SL7160P26D	Dull Chrome
SL7160P26DE	Dull Chrome 2-3/8" B.S.

Product Number	Description
----------------	-------------

Storeroom Lock Boxed

SL7160D03	Polished Brass
CSL7160D03	Polished Brass (Clutch)
SL7160D10B	Oil Rubbed Bronze
SL7160D26	Polished Chrome
SL7160D26D	Dull Chrome
CSL7160D26D	Dull Chrome (Clutch)
SL7160D26DKU	Dull Chrome Key #U
SL7160D26DE	Dull Chrome 2 5/8" B.S.

Classroom Lock Boxed

SL7160R03	Polished Brass
CSL7160R03	Polished Brass (Clutch)
SL7160R10B	Oil Rubbed Bronze
SL7160R26	Polished Chrome
SL7160R26D	Dull Chrome
CSL7160R26D	Dull Chrome (Clutch)
SL7160R26DKU	Dull Chrome Key #U
SL7160R26DK2	Dull Chrome Keyed Alike in 2

Dummy Levers Boxed

SL7160Y03	Bright Brass
SL7160Y10B	Oil Bronze
SL7160Y26	Polished Chrome
SL7160Y26D	Dull Chrome

Ask about new SL8260 Series sets

Locksets

Grade 2 Heavy Duty Leversets

2 3/4" UL Listed Latch Bolt

SL8260 – 3" Diameter Roses

Entry Lock Boxed

SL8260A26DKDDull Chrome

Storeroom Boxed

SL8260D26DDull Chrome

Classroom Boxed

SL8260R26DDull Chrome

Passage Boxed

SL8260N26DDull Chrome

Privacy Boxed

SL8260P26DDull Chrome

Dummy Boxed

SL8260Y26DDull Chrome



B8161 Series Grade 1 Extra Heavy Duty Ball Knobs

8161- Series Cylindrical Ball Knob, ANSI- A 156.2, Series 4000, Grade 1, UL Federal Specification FF-H-106C

Lock Housing and Chassis– Cold rolled steel with zinc dichromate finish for corrosion resistance. Requires standard 2 1/8" (53.97mm) bore through door.

Backset: 2-3/4",

Door Thickness: 1-3/8" to 2"

Latch: Brass 1/2" throw, UL- Fire Rated for 3 hour doors

Guarded Latchbolt on all locking functions

Latch front: 1-1/8" X 2-1/4" for 2-3/4" backset.

Strike: 4-7/8" A.S.A.

Cylinder: Solid brass 6 pin keyed 5, SC-1 keyway, #1145 or AR-1 keyway. Locks will accept Lori plugs. Master key and Grand Master key available.

Keys: 2 per lock

Handed: Non-handed

Finishes: US32D

Packaging: 20 per case– boxed

Available Functions: Entrance, Passage

Trim: Knob 2-1/4" dia., Rose 3" dia., Projection from door surface 2-1/2"

GRADE 1



B8161 Grade 1 Extra Heavy Duty Ball Knobs

Product Number	Description
Entry Lock Boxed	
B8161A32DKDStainless Steel
Passage Set Boxed	
B8161N32DStainless Steel

B9160 Series Grade 2 Heavy Duty Cyl. Locksets - Clamshell Packaging

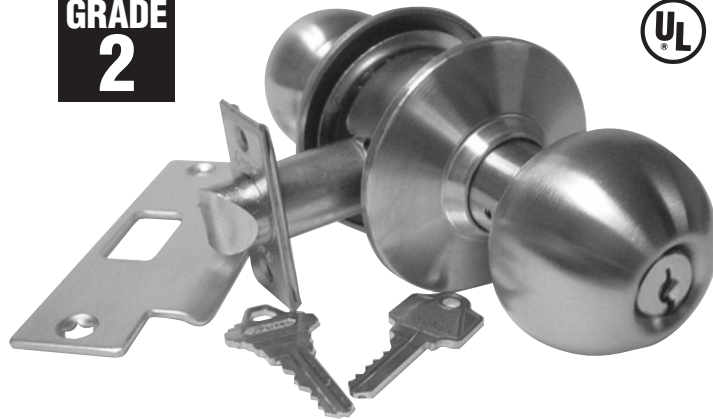
Product Number	Description
Entry Lock	
91610Polished Brass
91612Stainless Steel
Storeroom Lock	
91632Stainless Steel
Passage Lock	
91652Stainless Steel
Privacy Lock	
91660Polished Brass
91662Stainless Steel

Locksets

B9160 Series Grade 2 Cylindrical Locksets

B9160- Series Cylindrical Ball Knob, ANSI- A 156.2, Series 4000, Grade 2, Federal Specifications FF-H-106C, Series 160

GRADE 2



Lock Housing and Chassis – Cold rolled steel with zinc dichromate finish for corrosion resistance. Requires standard 2-1/8" (53.97mm) bore through door.

Backset: 2-3/4", optional- 2-3/8"

Door Thickness: 1-3/8" to 1-3/4"

Latch: Brass 1/2" throw, **UL available,**

Guarded Latchbolt on all keyed functions

Latch front: 1" X 2-1/4" for 2-3/8" backset or 1-1/8" X 2-1/4" for 2-3/4" backset.

Strike: 4-7/8" A.S.A, option—2-3/4" T strike, or 2-1/4" full lip strike.

Cylinder: Solid brass 6 pin keyed 5, SC-1 keyway, #1145 or AR-1 keyway. Locks will accept Lori plugs. Master key and Grand Master key available.

Keys: 2 per lock

Handed: Non-handed

Finishes: US3, US32D

Packaging: 20 per case– boxed

Standard Package: Keyed functions include — 2-3/4" backset latch- (UL available), 4-7/8" A.S.A strike SC-1 keyway, 2 spin on roses, 2 keys

Available Functions: Entrance, Passage, Privacy, Storeroom, Classroom or Single Dummy

Trim: Knob 2-1/4" dia., Rose 3" dia., Projection from door surface 2-1/2"

Manufactured to the highest quality standards and exceeding Grade 2 Certification, our **B9160 Series** is crafted to install easily, accepts most industry cylinders and provides heavy duty performance as compared to other brands offering standard or light duty Grade 2 locksets.

B9160 Series Grade 2 Heavy Duty Cylindrical Locksets

Product Number	Description
----------------	-------------

Entry Lock

Schlage Keyway SC-1:

B9160 A03KD	Polished Brass Keyed Different
B9160 A03K4	Polished Brass Keyed Alike in 4
B9160 A32KD	Stainless Steel Keyed Different
B9160 A32KDE	S.S. Keyed Diff. w/ 2-3/8" B.S.
B9160 A32K2	Stainless Steel Keyed Alike in 2
B9160 A32K2E	S.S. Keyed Alike in 2 w/ 2-3/8" B.S.
B9160 A32K4	Stainless Steel Keyed Alike in 4
B9160 A32K (add Key #)	Stainless Steel Key #U, #W, #X
B9160 A32MKD	Stainless Steel Master Keyed

Arrow Keyway:

K9160 A03KD	Polished Brass Keyed Different
K9160 A03K4	Polished Brass Keyed Alike in 4
K9160 A32KD	Stainless Steel Keyed Different
K9160 A32K4	Stainless Steel Keyed Alike in 4
K9160 A32K20	Stainless Steel Keyed Alike in 20
K9160 A32 MKD	Stainless Steel Master Keyed

Storeroom Lock

Schlage Keyway SC-1:

B9160 D03	Polished Brass
B9160 D32	Stainless Steel

Product Number	Description
----------------	-------------

B9160 D32E	S.S. w/ 2-3/8" B.S.
B9160 D32KU	Stainless Steel Key #U

Arrow Keyway:

K9160 D03	Polished Brass
K9160 D32	Stainless Steel

Passage Set

B9160 N03	Polished Brass
B9160 N32	Stainless Steel
B9160 N32E	Stainless Steel with 2-3/8" B.S.

Privacy Lock

B9160 P03	Polished Brass
B9160 P32	Stainless Steel
B9160 P03XSS	Polished Brass x Stainless Steel

Classroom Lock

B9160 R32	Stainless Steel SC-1 Keyway
-----------	-----------------------------

Dummy

B9160Y03	Polished Brass
B9160Y32	Stainless Steel

Note: KW keyway now available for all locksets.

Locksets

P9160 Series – Grade 2 Plymouth Style

P9160- Series Cylindrical Plymouth Knob, ANSI- A 156.2, Series 4000, Grade 2, Federal Specifications FF-H-106C, Series 160

GRADE 2



Lock Housing and Chassis – Cold rolled steel with zinc dichromate finish for corrosion resistance. Requires standard 2 1/8" (53.97mm) bore through door.

- Backset:** 2-3/4", optional- 2-3/8"
- Door Thickness:** 1-3/8" to 1-3/4"
- Latch:** Brass 1/2" throw, **UL available**, **Guarded Latchbolt on all keyed functions**
- Latch front:** 1 X 2-1/4" for 2-3/8" backset or 1-1/8" X 2-1/4" for 2-3/4" backset.
- Strike:** 4-7/8" A.S.A, option—2-3/4" T strike, or 2-1/4" full lip strike.
- Cylinder:** Solid brass 6 pin keyed 5, SC-1 keyway, #1145 or AR-1 keyway. Locks will accept Lori plugs. Master key and Grand Master key available.
- Keys:** 2 per lock
- Handed:** Non-handed
- Finishes:** US3, US32D
- Packaging:** 20 per case– boxed

Standard Package: Keyed functions include — 2-3/4" backset latch- (UL available), 4-7/8" A.S.A strike SC-1 keyway, 2 spin on roses, 2 keys

Available Functions: Entrance, Passage, Privacy, Storeroom, Classroom or Single Dummy

Trim: Knob 2-1/4" dia., Rose 3" dia., Projection from door surface 2-1/2"

Manufactured to the highest quality standards and exceeding Grade 2 Certification, our **P9160 Series** is crafted to install easily, accepts most industry cylinders and provides heavy duty performance as compared to other brands offering standard or light duty Grade 2 locksets.

Contractor Quality® Cylindrical Construction Grade 2 Locksets

Product Number	Description
Stainless Steel	
P9160A32KD.....	Plymouth Entry Knob (32D)
P9160D32.....	Plymouth Storeroom Knob (32D)
P9160P32.....	Plymouth Privacy Knob (32D)
P9160N32.....	Plymouth Passage (32D)
Polished Brass	
P9160A03KD.....	Plymouth Entry Knob (32D)
P9160D03.....	Plymouth Storeroom Knob (32D)

Product Number	Description
P9160P03.....	Plymouth Privacy Knob (32D)
P9160N03.....	Plymouth Passage (32D)
Latches	
93000.....	2-3/8" Latch Polished Brass (US03)
93002.....	2-3/8" Latch Stainless Steel (US32D)

Locksets

ULB9160 Series Grade 2 Extra Heavy Duty Ball Knob

Product Number	Description
Entry Lock	
ULB9160 A03K4.....	Polished Brass SC-1 Keyway Keyed Alike in 4
ULB9160 A32KD.....	Stainless Steel SC-1 Keyway Keyed Different
ULB9160 A32K4.....	Stainless Steel SC-1 Keyway Keyed Alike in 4
ULB9160 A32K (add Key #).....	Stainless Steel SC-1 Keyway Key #U, #W, #X, #Y, #Z
ULB9160 A32MK.....	Stainless Steel SC-1 Keyway Master Keyed
Storeroom Lock	
ULB9160 D32.....	Stainless Steel SC-1 Keyway Keyed Different
ULB9160 D32KU.....	Stainless Steel SC-1 Keyway Key #U
Classroom Lock	
ULB9160R32.....	Stainless Steel SC-1 Keyway

GRADE 2





B2635 Series Grade 3 Cylindrical Locksets

Lock Housing and Chassis – Cold rolled steel with zinc dichromate finish for corrosion resistance. Requires standard 2 1/8" (53.97mm) bore through door.

**GRADE
3**



Backset: Adjustable, 2-3/8"–2-3/4, optional

Door Thickness: 1-3/8" to 1-3/4"

Latch: Zinc plated 3/8" throw

Guarded Latchbolt on all keyed functions

Latch front: 1-1/8" X 2-1/4" for 2-3/4" backset or 1 X 2-1/4" for adjustable latch

Strike: 4-7/8" A.S.A, option – 2-3/4" T strike, or 2-1/4" full lip strike.

Cylinder: Solid brass 6 pin keyed 5, SC-1 keyway, #1145 or AR-1 keyway. Locks will accept Lori plugs. Keyed alike #'s available, Master key and Grand Master key available.

Keys: 3 per lock

Handed: Non-handed

Finishes: US3, US32D

Packaging: 20 per case– boxed

Standard Package: Keyed functions include – 2-3/4" backset latch-4-7/8" A.S.A strike, SC-1 keyway, 1 spin on rose, 1 snap on rose, 3 keys

Available Functions: Entrance, Passage, Privacy, Storeroom, Classroom or Single Dummy

Trim: Knob 1-7/8" dia., Rose 2-3/4" dia., Projection from door surface 2-1/2"

Manufactured to the highest quality standards and exceeding Grade 3 Certification, our **B2630 Series** is crafted to install easily, accepts most industry cylinders and provides heavy duty performance as compared to other brands offering standard or light duty Grade 3 locksets.

Contractor Quality® Cylindrical Construction

Product Number	Description
----------------	-------------

Entry Lock

B2635 PBKD	Polished Brass Keyed Different
B2635 PBKU	Polished Brass Key #U
B2635 PBKW	Polished Brass Key #W
B2635 PBKX	Polished Brass Key #X
B2635 SSKD	Stainless Steel Keyed Different
B2635 SSKU	Stainless Steel Key #U
B2635 SSKW	Stainless Steel Key #W
B2635 SSKX	Stainless Steel Key #X

Passage Set

B2638 PB	Polished Brass
B2638 SS	Stainless Steel

Privacy Lock

B2639 PB	Polished Brass
B2639 SS	Stainless Steel

Storeroom Lock

B2634 PB	Polished Brass
B2634 SS	Stainless Steel
B2634 SSKU	Stainless Steel Key #U

Product Number	Description
----------------	-------------

Classroom Lock

B2636 PB	Polished Brass
B2636 SS	Stainless Steel

Dummy Knobs

B2637 PB	Polished Brass
B2637 SS	Stainless Steel

Special keying available for locks on this page. Grade 3 adjustable Backset Latch available. See the main S. Parker catalog.

Locksets

72000 Series Grade 2 Deadbolts

GRADE 2



ANSI – A156.5, Auxiliary Locks – Grade 2

Use on A label or lesser doors when used in conjunction with a rated primary latching device

Housing: Heavy duty with body guard shield to increase strength against wrenching.

Deadbolt: 1" (25.4mm), solid steel with hardened insert, **UL and CUL Listed.**

Backset: 2-3/4" (69.9mm), optional-2-3/8" (60.3mm)

Strikes: Supplied with security strike, finish strike and dust box for steel or wood frames.

Doors: 1-3/8" (34.9mm) to 1-3/4" (44.5mm)

Cylinders: Solid brass, SC1 keyway, drilled 6, pinned 5, most OEM cylinders fit

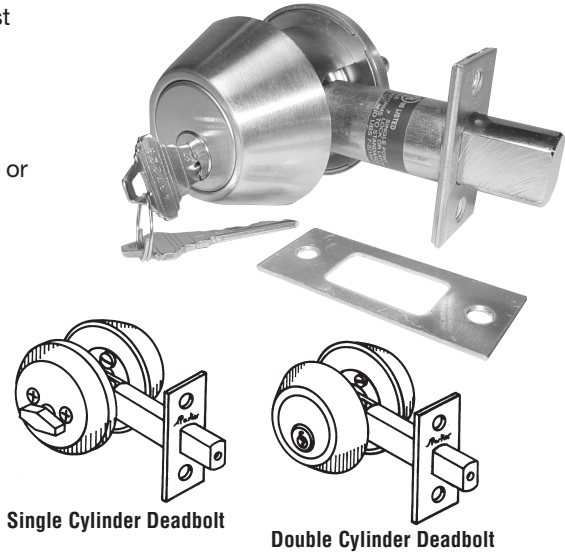
Keying: Single Cylinder, Double Cylinder, KA-4 available, 2 keys per deadbolt, single cylinder features deadlock interior thumbturn

Finishes: US3, US32D, US10B, US26D

Thru Bolts: 1/4" solid steel (2)

Certification Compliance: ANSI- 156.2, Grade 2- Auxiliary Locks, UL and CUL

Packaging: 20 per case



Single Cylinder Deadbolt

Double Cylinder Deadbolt

Contractor Quality® Deadbolts

Product Number	Description	Product Number	Description
Single and Double Grade 2, 20 Per Case			
72160.....	Single Cylinder US3	72262.....	Double Cylinder US32D
72162.....	Single Cylinder US32D	72164.....	Single Cylinder US10B
72162K4	Single Cylinder US32D		

72160 Series Grade 2 IC Deadbolts

GRADE 2



ANSI – A156.5, Auxiliary Locks – Grade 2

Use on A label or lesser doors when used in conjunction with a rated primary latching device

Housing: Heavy Duty with exterior outer slip housing to prevent wrenching.

Interchangeable Core: Accepts all small format- 6 or 7 pin cores. Will accept – Best, Falcon, Arrow, Medeco, KSP, GMS and many others

Deadbolt: All solid, 1" steel for additional strength.

Backset: 2-3/4" (69.9mm), optional- 2-3/8" (60.3mm)

Strikes: Supplied with security strike, finish strike and dust box for steel or wood frames.

Doors: 1-3/8" (34.9mm) to 1-3/4" (44.5mm)

IC Cores: "Interchangeable Cores sold separately",

Interchangeable Cores available from S. Parker as per your keying requirements – Call for more information

Finishes: US32D, US3, and US26D

Thru Bolts: 1/4" solid steel (2)

Certification Compliance: ANSI- 156.2, Grade 2- Auxiliary Locks when used with a rated primary latching device on A label or lesser doors.

Packaging: 20 per case



Contractor Quality® Deadbolts

Product Number	Description
IC Deadbolts, Grade 2, 20 Per Case	
72160IC.....	Single Cylinder for Interchangeable Core US3 – I Core Not Included
72162IC.....	Single Cylinder for Interchangeable Core US32D – I Core Not Included

Locksets



82000 Series Commercial Heavy Duty Deadbolts

ANSI – A156.2, Auxiliary Locks – ADA Thumbturns

Housing: Heavy duty with body guard shield to increase strength against wrenching.

Deadbolt: 1" (25.4mm), solid brass with hardened insert

Backset: 2-3/4" (69.9mm), optional-2-3/8" (60.3mm)

Strikes: Supplied with security strike, finish strike and dust box for steel or wood frames.

Doors: 1-3/8" (34.9mm) to 1-3/4" (44.5mm)

Cylinders: Solid brass, SC1 keyway, drilled 6, pinned 5, most OEM cylinders fit

Keying: Single Cylinder, Double Cylinder, KA-2 and KA-4 available, 2 keys per deadbolt, single cylinder features deadlock interior thumbturn

Finishes: US3, US32D

Thru Bolts: 1/4" solid steel (2)

Certification Compliance: ANSI- 156.2, Auxiliary Locks

Packaging: 20 per case

IC Cores: "Interchangeable Cores sold separately",

Interchangeable Cores available from S. Parker as per your keying requirements – Call for more information

Interchangeable Core: Accepts all small formats: Best®, Falcon®, Arrow®, Keymark®, KSP®, GMS®, and widely used 6 or 7 pin cores.



Contractor Quality® Deadbolts

Product #	Description
Solid Bar Single Cylinder/Heavy Duty 2-3/4" Backset Boxed	
82160.....	Polished Brass SC-1 Keyway
82162.....	Stainless Steel SC-1 Keyway
82162 K2.....	Stainless Steel Keyed Alike in 2, SC-1 Keyway
82162 KU.....	Stainless Steel Keyed #U, SC-1 Keyway
82162 IC.....	Stainless Steel for IC
82162 KX.....	Stainless Steel Keyed X
82162 KZ.....	Stainless Steel Keyed Z

Product #	Description
Solid Bar Double Cylinder/Heavy Duty 2-3/4" Backset Boxed	
82262.....	Stainless Steel SC-1 Keyway

92000 Series Residential Standard Duty Deadbolts

ANSI – A156.2, Auxiliary Locks – ADA Thumbturns

Housing: Heavy Duty with exterior outer slip housing to prevent wrenching.

Deadbolt: All solid, 1" steel for additional strength.

Backset: 2-3/4" (69.9mm), optional- 2-3/8" (60.3mm)

Strikes: Supplied with security strike, finish strike and dust box for steel or wood frames.

Doors: 1-3/8" (34.9mm) to 1-3/4" (44.5mm)

Cylinders: Solid Brass, SC1 keyway, drilled 6, Pinned 5, Most OEM cylinders fit, keyed alike available, double cylinder available

Finishes: US32D and US3

Through Bolts: 1/4" solid steel (2)

Certification Compliance: ANSI- 156.2,

Packaging: 20 per case



Contractor Quality® Deadbolts

Product #	Description
Single Cylinder/Heavy Duty 2-3/4" Backset Commercial Quality Boxed	
92160 PBKD.....	Polished Brass Keyblank V Keyed Different SC-1 Keyway
92160 PBK_ (add Key#).....	Polished Brass Key #U, #W, #X SC-1 Keyway
92160 SSKD.....	Stainless Steel Keyblank V Keyed Different SC-1 Keyway
92160 SSK5.....	Stainless Steel Keyblank V Keyed Alike in 5 SC-1 Keyway
92160 SSK_ (add Key#).....	Stainless Steel Key #U, #W, #X SC-1 Keyway

Product Number	Description
Double Cylinder/Heavy Duty 2-3/4" Backset Commercial Quality Boxed	
92260 PBKD.....	Polished Brass Keyblank V Keyed Different SC-1 Keyway
92260 SSKD.....	Stainless Steel Keyblank V Keyed Different SC-1 Keyway
92260 ABKD.....	Antique Brass SC-1 Keyway
KW keyway is available, please call for more information	

Locksets

Contractor Quality® Strikes

ANSI Template Strike

This 2213 template strike with 4⁷/₈" plate, 3³/₈" lip and a width of 1¹/₄", comes brass plated, 2213BP; stainless steel, 2213SS; or oil rubbed bronze plated, 221310B; with sheet metal and machine screws included in the poly bag. Brass, B2213BP and zinc, B2213ZP, plated strikes are available in bulk, without screws.



Product #	Description
2213 BP	Brass Plated
2213 SS	Stainless Steel
2213 10B	Oil Rubbed Bronze Plated
B2213 BP	Brass Plated Bulk Pack without Screws
B2213 ZP	Zinc Plated Bulk Pack without Screws

Template Strike

The 2212BP A.S.A. template strike is a 4⁷/₈" plate, with a 3³/₈" lip and a width of 1¹/₄". It is brass plated. Comes with sheet metal and machine screws.



Product #	Description
2212 BP	Brass Plated

1-1/4" T Strikes

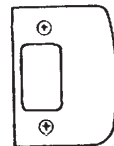
These S. Parker strikes with 1³/₁₆" lips are 1¹/₈" wide x 2³/₄" long, and come brass plated, 2214BP or nickel plated, 2214NP with sheet metal and machine screws.



Product #	Description
2214 BP	Brass Plated
2214 NP	Nickel Plated

Full Lip Strikes

Full lip strikes are 1⁵/₈" x 2¹/₄" and come in brass plate, 92210, antique brass, 92211, and stainless steel, 92212. Comes with sheet metal and machine screws.



Product #	Description
92210	Polished Brass
92211	Antique Brass
92212	Stainless Steel

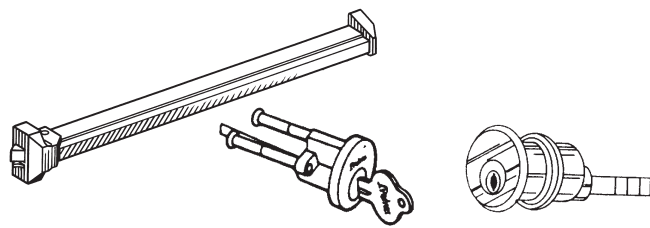
Contractor Quality® Cylinders



Dummy Mortise Cylinder

The 1311 dummy mortise cylinder is used to fill holes when 1" mortise cylinders are removed. Made of die cast metal. It is available in aluminum (1311 AL) and duranodic (1311 DUR) finishes.

Product #	Description
1311 AL	Aluminum 1"
1311 DUR	Duranodic 1"



Rim Cylinders

S. Parker solid brass and solid bronze rim cylinders fit jimmy-proof lock and rim panic devices and other applications that require rim cylinders.

Product #	Description
Solid Brass With Segal Keyway	
1315 KA	Polished Brass Keyed Alike
1315 KD	Polished Brass Keyed Different
22135	Polished Brass Different Carded

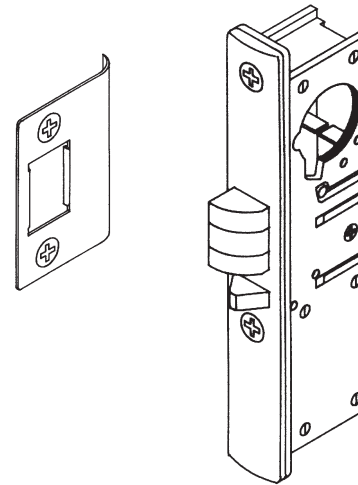
Product #	Description
Solid Bronze	
1320 DCHKA	Dull Chrome Keyed Alike
1320 DCHKD	Dull Chrome Keyed Different
1320 DCHMK	Dull Chrome Master Keyed

Locksets

Narrow Stile Latch Locks

Contractor Quality® Narrow Stile Latch Locks

S. Parker's 6201 series narrow stile latches may be used with the LP6201 lever handle and cam plug set, or with Number 1310 1" cylinders. The beveled face plate is 1" wide by 6⁷/₈" long, and the model is available less cylinders to fit into pre-existing keying systems. The narrow stile latch series is available in duranodic and aluminum, with 1¹/₈" or 3¹/₃₂" backsets. The latch is handed, and is available in left or right hand models. The 6301 heavy duty deadlatch version of the narrow stile latch with a 1¹/₂" backset is available only in aluminum finish. The 6301 is ideal for new or replacement installations. No cylinders are furnished, but it takes a standard 1310 1" mortise cylinder with Adams-Rite cam and TR1310 thumb turn mortise cylinder for the inside. Narrow stile latches are also available with the LP6201 lever handle, with right and left hand models available in aluminum and duranodic finishes. Packed with full radius face plate.



Contractor Quality® Narrow Stile Latch Locks

Product #	Description
-----------	-------------

Narrow Stile Latch With All Metal Latches

- N6201 AL L.....Aluminum Left Hand 31/32" Backset
- N6201 AL R.....Aluminum Right Hand 31/32" Backset
- 6201 AL L.....Aluminum Left Hand 1-1/8" Backset
- 6201 AL R.....Aluminum Right Hand 1-1/8" Backset
- N6201 DUR L.....Duranodic Left Hand 31/32" Backset
- N6201 DUR R.....Duranodic Right Hand 31/32" Backset
- 6201 DUR L.....Duranodic Left Hand 1-1/8" Backset
- 6201 DUR R.....Duranodic Right Hand 1-1/8" Backset

Product #	Description
-----------	-------------

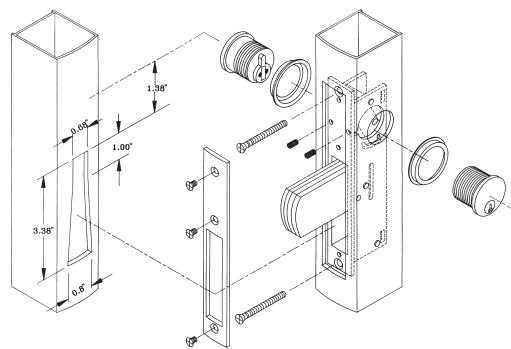
Heavy Duty Deadlatch

- 6301 AL L.....Aluminum Left Hand 1-1/2" Backset
- 6301 AL R.....Aluminum Right Hand 1-1/2" Backset cylinder, or with thumbturn mortise cylinder, and the 31/32" backset, with the C6201 in 1-1/8" backset.

See page 36 for push and pull paddles.

Bar Bolt Narrow Stile Deadbolts

The 6202 series bar bolt narrow stile deadbolts come with two cylinders, or without cylinders. The face plate is 1" x 6⁷/₈", and both 3¹/₃₂" or 1¹/₈" backsets are available. Both aluminum and duranodic finishes are available in this nonhanded deadbolt.



Bar Bolt Narrow Stile Deadbolts

Product #	Description
-----------	-------------

With 2 Cylinders

- N6202 AL.....Aluminum 31/32" Backset
- 6202 AL.....Aluminum 1-1/8" Backset
- N6202 DUR.....Duranodic 31/32" Backset
- 6202 DUR.....Duranodic 1-1/8" Backset

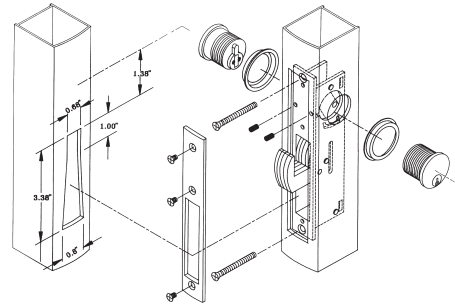
Product #	Description
-----------	-------------

Less Cylinders

- N6202 LCAL.....Aluminum 31/32" Backset
- 6202 LCAL.....Aluminum 1-1/8" Backset
- N6202 LCDUR.....Duranodic 31/32" Backset
- 6202 LCDUR.....Duranodic 1-1/8" Backset

Bar Bolt Narrow Stile Hookbolts

The 6202H hookbolt narrow stile has 1" x 6⁷/₈" face plates, and comes with two cylinders, or without cylinders, in 1¹/₈" or 3¹/₂" backsets. Duranodic and aluminum finishes suit almost all applications for this non-handed hookbolt.



Product # Description

With 2 Cylinders

N6202H AL	Aluminum 31/32" Backset
6202H AL	Aluminum 1-1/8" Backset
N6202H DUR	Duranodic 31/32" Backset
6202H DUR	Duranodic 1-1/8" Backset

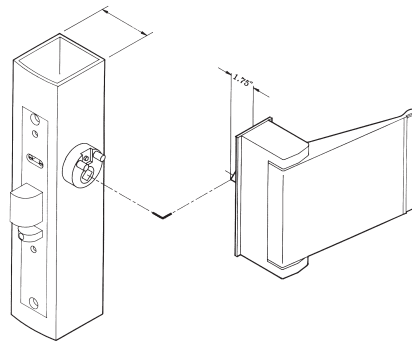
Product # Description

Without Cylinders

N6202H LCAL	Aluminum 31/32" Backset
6202H LCAL	Aluminum 1-1/8" Backset
N6202H LCDUR	Duranodic 31/32" Backset
6202H LCDUR	Duranodic 1-1/8" Backset

Push & Pull Paddles

This well designed paddle was made specifically to operate trouble free with any narrow stile latch. It has 2 heavy duty compression springs, 2 reversible non-handed gear blocks that move in precisely engineered channels. Complete with mounting hardware and cam plug. Replaces popular industry models and is interchangeable with Adams-Rite®. Reversible for hand & function (push/pull).



Hook Bolt Narrow Stile Deadbolts

Product # Description

Push Type Paddle

PUSH 6201 ALL	Aluminum Left Hand
PUSH 6201 ALR	Aluminum Right Hand
PUSH 6201 DUR L	Duranodic Left Hand
PUSH 6201 DUR R	Duranodic Right Hand

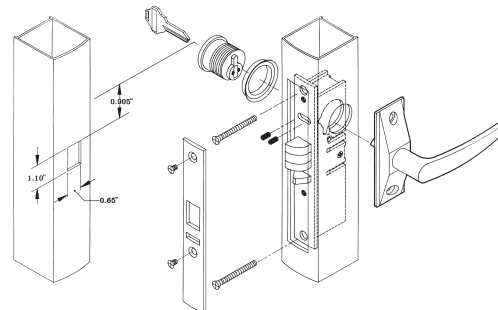
Product # Description

Pull Type Paddle

PULL 6201 ALL	Aluminum Left Hand
PULL 6201 ALR	Aluminum Right Hand
PULL 6201 DUR L	Duranodic Left Hand
PULL 6201 DUR R	Duranodic Right Hand

Lever Handle with Cam Plug

LP6201 lever handle and cam plug sets are available individually to fit narrow stile latches. Available in both aluminum and duranodic finishes, the sets are handed for left and right uses, and are field reversible.



Hook Bolt Narrow Stile Deadbolts

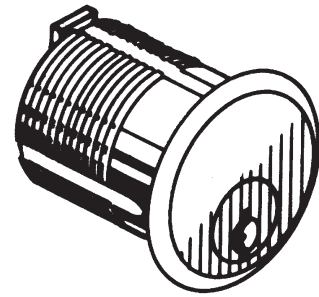
Product # Description

LP6201 AL L	Aluminum Left Hand
LP6201 AL R	Aluminum Right Hand
LP6201 DUR L	Duranodic Left Hand
LP6201 DUR R	Duranodic Right Hand

Mortise Cylinders

Contractor Quality® Cylinders

S. Parker's mortise cylinders come in several finishes and use a solid brass, 5 pin, tumbler for security. Several sizes along with thumb turn models, keyed alike or keyed differently are available. The Thumbturn model can be used with 6201 Narrow Stile Latch Series, 6202H or N6202H series Hook Bolt, LP6201 Lever handle or 6201 Paddle series.



Solid Brass Mortise Cylinders available in 3 sizes 1", 1-1/8" and 1-1/4". Many finishes and keyways are available.

Product # Description

Keyed Model 2 Keys - 2 Trim Rings per pair AR (Adams Rite™)

1310 A605K2Arrow 1" Diecast Mortise Cyl. PB AR
 1310 A628K2Arrow 1" Diecast Mortise Cyl. AL AR
 1310 A686K2Arrow 1" Diecast Mortise Cyl. BLK AR
 1310 A695K2Arrow 1" Diecast Mortise Cyl. DUR AR
 1310 A625K2Arrow 1" Diecast Mortise Cyl. PCH AR
 1310 K628K2Kwikset 1" Diecast Mortise Cyl. AL AR
 1310 K695K2Kwikset 1" Diecast Mortise Cyl. DUR AR
 1310 S605K2Schlage 1" Diecast Mortise Cyl. PB AR
 1310 S625K2Schlage 1" Diecast Mortise Cyl. PCH AR
 1310 S628KASchlage 1" Diecast Mortise Cyl. KA AL AR
 1310 S628K2Schlage 1" Diecast Mortise Cyl. AL AR
 1310 S686K2Schlage 1" Diecast Mortise Cyl. BLK AR
 1310 S695KASchlage 1" Diecast Mortise Cyl. KA DUR AR
 1310 S695K2Schlage 1" Diecast Mortise Cyl. DUR AR
 1310 Y605K2Yale 1" Diecast Mortise Cyl. PB AR
 1310 Y625K2Yale 1" Diecast Mortise Cyl. PCH AR
 1310 Y628K2Yale 1" Diecast Mortise Cyl. AL AR
 1310 Y686K2Yale 1" Diecast Mortise Cyl. BLK AR
 1310 Y695K2Yale 1" Diecast Mortise Cyl. DUR AR

1" Solid Brass Mortise Cylinders 2 Keys - 2 Trim Rings per pair AR (Adams Rite™)

1313A605K2Arrow 1" Solid Brass Mortise Cyl. POL BR AR
 1313A626K2Arrow 1" Solid Brass Mortise Cyl. DCH AR
 1313A628K2Arrow 1" Solid Brass Mortise Cyl. ALUM AR
 1313A695K2Arrow 1" Solid Brass Mortise Cyl. DURO AR
 1313K605K2Kwikset 1" Solid Brass Mortise Cyl. POL BR AR
 1313K626K2Kwikset 1" Solid Brass Mortise Cyl. DCH AR
 1313K628K2Kwikset 1" Solid Brass Mortise Cyl. ALUM AR
 1313K628KALKwikset 1" Solid Brass Mortise Cyl. ALUM KA "L" AR
 1313K628KAMKwikset 1" Solid Brass Mortise Cyl. ALUM KA "M" AR
 1313K695K2Kwikset 1" Solid Brass Mortise Cyl. DURO AR
 1313S605K2Schlage 1" Solid Brass Mortise Cyl. POL BR AR
 1313S626K2Schlage 1" Solid Brass Mortise Cyl. DCH AR
 1313S628K2Schlage 1" Solid Brass Mortise Cyl. ALUM AR
 1313S695K2Schlage 1" Solid Brass Mortise Cyl. DURO AR
 1313S628KAESchlage 1" Solid Brass Mortise Cyl. ALUM KA"E" AR
 1313S628KAFSchlage 1" Solid Brass Mortise Cyl. ALUM KA"F" AR
 1313S628KAGSchlage 1" Solid Brass Mortise Cyl. ALUM KA"G" AR
 1313Y605K2Yale 1" Solid Brass Mortise Cyl. POL BR AR
 1313Y626K2Yale 1" Solid Brass Mortise Cyl. DCH AR
 1313Y628K2Yale 1" Solid Brass Mortise Cyl. ALUM AR
 1313Y695K2Yale 1" Solid Brass Mortise Cyl. DURO AR

Product # Description

1-1/8" Solid Brass Mortise Cylinders 2 keys - 1 Trim Ring per cylinder YA (Yale™)

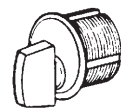
1318A605KDArrow 1-1/8" Solid Brass Mortise Cyl. PB YA
 1318A626KDArrow 1-1/8" Solid Brass Mortise Cyl. DCH YA
 1318A628KDArrow 1-1/8" Solid Brass Mortise Cyl. ALUM YA
 1318A695KDArrow 1-1/8" Solid Brass Mortise Cyl. DURO YA
 1318K605KDKwikset 1-1/8" Solid Brass Mortise Cyl. PB YA
 1318K626KDKwikset 1-1/8" Solid Brass Mortise Cyl. DCH YA
 1318K628KDKwikset 1-1/8" Solid Brass Mortise Cyl. ALUM YA
 1318K695KDKwikset 1-1/8" Solid Brass Mortise Cyl. DURO YA
 1318S605KDCLSchlage 1-1/8" Solid Brass Mortise Cyl. PB Clover
 1318S626KDSchlage 1-1/8" Solid Brass Mortise Cyl. DCH YA
 1318S626KDCLSchlage 1-1/8" Solid Brass Mortise Cyl. DCH Clover
 1318S628KDSchlage 1-1/8" Solid Brass Mortise Cyl. ALUM YA
 1318S695KDSchlage 1-1/8" Solid Brass Mortise Cyl. DURO YA
 1318Y695KDYale 1-1/8" Solid Brass Mortise Cyl. DURO YA
 1318Y626KDYale 1-1/8" Solid Brass Mortise Cyl. DCH YA
 1318Y626KAYale 1-1/8" Solid Brass Mortise Cyl. DCH KA YA
 1318Y628KDYale 1-1/8" Solid Brass Mortise Cyl. ALUM YA

1-1/4" Solid Brass Mortise Cylinders 2 keys - 1 Trim Ring per cylinder YA (Yale™)

1328A605KDArrow 1-1/4" Solid Brass Mortise Cyl. PB YA
 1328A626KDArrow 1-1/4" Solid Brass Mortise Cyl. DCH YA
 1328A628KDArrow 1-1/4" Solid Brass Mortise Cyl. ALUM YA
 1328A695KDArrow 1-1/4" Solid Brass Mortise Cyl. DURO YA
 1328K605KDKwikset 1-1/4" Solid Brass Mortise Cyl. PB YA
 1328K626KDKwikset 1-1/4" Solid Brass Mortise Cyl. DCH YA
 1328K628KDKwikset 1-1/4" Solid Brass Mortise Cyl. ALUM YA
 1328K695KDKwikset 1-1/4" Solid Brass Mortise Cyl. DURO YA
 1328S605KDCLSchlage 1-1/4" Solid Brass Mortise Cyl. PB Clover
 1328S626KDSchlage 1-1/4" Solid Brass Mortise Cyl. DCH YA
 1328S626KDCLSchlage 1-1/4" Solid Brass Mortise Cyl. DCH Clover
 1328S628KDSchlage 1-1/4" Solid Brass Mortise Cyl. ALUM YA
 1328S695KDSchlage 1-1/4" Solid Brass Mortise Cyl. DURO YA
 1328Y626KDYale 1-1/4" Solid Brass Mortise Cyl. DCH YA
 1328Y628KDYale 1-1/4" Solid Brass Mortise Cyl. ALUM YA
 1328Y695KDYale 1-1/4" Solid Brass Mortise Cyl. DURO YA

Thumbturn Model - 1 Trim Ring

TR1310626Diecast Dull Chrome 1" AR
 TR1310695Diecast Duranodic 1" AR
 SBTR1310626Solid Brass Dull Chrome Finish 1" AR
 SBTR1310695Solid Brass Duranodic Finish 1" AR



IC housings, refer to page 39

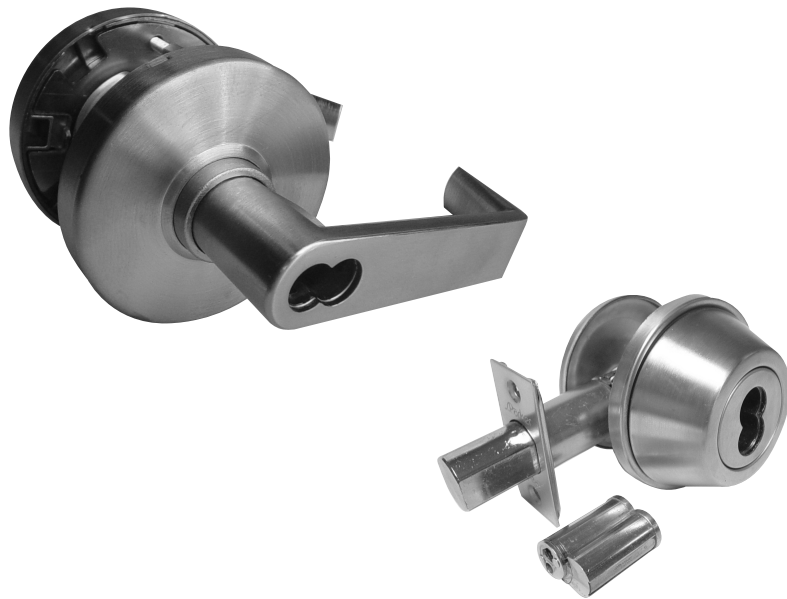
Interchangeable Core Products

S. Parker Hardware offers affordable access control

**Who has copies
of your keys?**

**How many employees
who have keys, quit?**

**How many times have
you had to call a
locksmith to re-key
your buildings?**



As an employer, you recognize the security risk you incur if you fail to re-key after an employee has left. You know that former employees have had access to keys and could have easily made copies. You know that the costs of re-keying can add up if you have to re-key every time an employee leaves.

Interchangeable cores can provide affordable and convenient solutions to these problems.

- IC keys are generally more difficult to copy than commercial keys. S. Parker can provide restricted keys for extra security.
- Commercial hardware can easily be upgraded to IC hardware.
- IC systems offer many more key combinations than commercial systems. (4x's as many)
- IC hardware is available in many configurations such as lever handles, knob sets, deadbolts, padlocks, cabinet locks, rim and mortise cylinders.
- IC provides simple key changing by swapping of cores.
- **Blue construction cores are available**

S. Parker hardware maintains a state of the art keying facility and can supply you with a Combined Master Keyed System in a timely fashion. Turn to S. Parker hardware when your business requires a complete solution to security.



Grade 2 Contractor Quality® Lever Sets Accept Interchangeable Core

The SL8160 Lever Sets are available prepared to accept an Interchangeable Core for increased security and convenient key control. These locks will accept original “Best,™” Falcon, Arrow, Keymark, Kaba and other interchangeable cores on the market. It will accept 6 or 7 pin cores. The interchangeable core advantage is that it is used in a number of different types of locks without the need to change the cylinder assembly. You can change the keying without removing the lockset from the door.

Product #	Item Number	Description
Entry Lock	SL8160A26D IC	Dull Chrome (US26D)
Storeroom	SL8160D26D IC	Dull Chrome (US26D)
Boxed	SL8160D10B IC	Oil Rub Bronze (US 10B)
Classroom	SL8160R26D IC	Dull Chrome (US26D)
Exit Device Trim		
Lever Handle	LL520DCHIC	Dull Chrome Accepts IC



Flat Head



Tapered Head

Interchangeable Core Mortise Housing

Available in flat head or tapered head in 6 pin or 7 pin. Available in US4 (satin brass) or US26D (dull chrome) and US10B (oil rubbed bronze). Specify Cam; standard Yale®, Adams-Rite®, Clover®, Sargent® and Schlage® “L” available on special request. Please see page 46 of main catalog for information regarding cores.

Function	Item#	Description
6 Pin	16000	Brass Flat Head
	16002	Dull Chrome Flat Head
	16100	Brass Tapered Head
	16102	Dull Chrome Tapered Head
	16103	Oil Rubbed Bronze Tapered Head
	16104	Oil Rubbed Bronze Flat Head
7 Pin	17000	Brass Flat Head
	17002	Dull Chrome Flat Head
	17100	Brass Tapered Head
	17102	Dull Chrome Tapered Head
	17103	Oil Rubbed Bronze Tapered Head
	17104	Oil Rubbed Bronze Flat Head



6 Pin & 7 Pin Interchangeable Cores

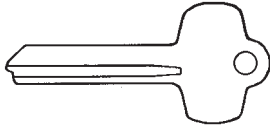
Made from solid top quality brass. Machined to exact tolerances. These cores are available in uncombined units or we can custom design or continue an existing system for you. Please specify keyway when ordering: A, B, C, D, E, F, G, H, J, K, L or M. S.Parker 1, 2, 3. Choice of finishes: US4 satin brass or US26D dull chrome.

6 Pin		6 Pin		7 Pin		7Pin	
Item No.	Description	Item No.	Description	Item No.	Description	Item No.	Description
ICA64	Brass Key A	ICA626D	Dull Chr Key A	ICA74	Brass Key A	ICA726D	Dull Chr Key A
ICB64	Brass Key B	ICB626D	Dull Chr Key B	ICB74	Brass Key B	ICB726D	Dull Chr Key B
ICC64	Brass Key C	ICC626D	Dull Chr Key C	ICC74	Brass Key C	ICC726D	Dull Chr Key C
ICD64	Brass Key D	ICD626D	Dull Chr Key D	ICD74	Brass Key D	ICD726D	Dull Chr Key D
ICE64	Brass Key E	ICE626D	Dull Chr Key E	ICE74	Brass Key E	ICE726D	Dull Chr Key E
ICF64	Brass Key F	ICF626D	Dull Chr Key F	ICF74	Brass Key F	ICF726D	Dull Chr Key F
ICG64	Brass Key G	ICG626D	Dull Chr Key G	ICG74	Brass Key G	ICG726D	Dull Chr Key G
ICH64	Brass Key H	ICH626D	Dull Chr Key H	ICH74	Brass Key H	ICH726D	Dull Chr Key H
ICJ64	Brass Key J	ICJ626D	Dull Chr Key J	ICJ74	Brass Key J	ICJ726D	Dull Chr Key J
ICK64	Brass Key K	ICK626D	Dull Chr Key K	ICK74	Brass Key K	ICK726D	Dull Chr Key K
KICL64	Brass Key L	ICL626D	Dull Chr Key L	ICL74	Brass Key L	ICL726D	Dull Chr Key L
ICM64	Brass Key M	ICM626D	Dull Chr Key M	ICM74	Brass Key M	ICM726D	Dull Chr Key M
IC164	Brass Key 1	IC1626D	Dull Chr Key 1	IC174	Brass Key 1	IC1726D	Dull Chr Key 1
IC264	Brass Key 2	IC2626D	Dull Chr Key 2	IC274	Brass Key 2	IC2726D	Dull Chr Key 2
IC364	Brass Key 3	IC3626D	Dull Chr Key 3	IC374	Brass Key 3	IC3726D	Dull Chr Key 3
ICQ64	Brass Key Q	ICQ626D	Dull Chr Key Q	ICQ74	Brass Key Q	ICQ726D	Dull Chr Key Q

CALL ABOUT PRIVATE LABEL ON FACE OF CORES.

NJ: (201) 569-1600 • NYC: (212) 925-6300 • Toll-Free: 1-800-S-PARKER • Fax: (201) 569-1082 or 1-877-636-5712 • Web: www.sparker.com

Locksets



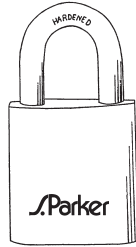
Nickel Silver Key Blanks

Custom keys, strong, durable made to exact tolerances as originals. Available in the following keyways: A, B, C, D, E, F, G, H, J, K, L or M. S.Parker 1, 2, or 3 restricted. Please specify keyway when ordering.

Item#	Description	Item#	Description
KEY A.....	Nickel Silver Key A	KEY H	Nickel Silver Key H
KEY B.....	Nickel Silver Key B	KEY J.....	Nickel Silver Key J
KEY C	Nickel Silver Key C	KEY K.....	Nickel Silver Key K
KEY D	Nickel Silver Key D	KEY L.....	Nickel Silver Key L
KEY E.....	Nickel Silver Key E	KEY M.....	Nickel Silver Key M
KEY F.....	Nickel Silver Key F	KEY 1.....	Nickel Silver Key 1
KEY G.....	Nickel Silver Key G	KEY 2.....	Nickel Silver Key 2

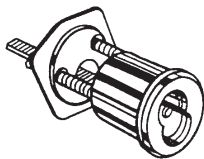
Interchangeable Core Padlocks

Solid brass body with stainless steel shackle. Weather resistant, can be used outdoors or indoors. Great for boats, sheds, gates, lockers, tool boxes, etc. Available in the following shackle lengths: 1½", 2", 3" and 4"



Item#	Description
11001.....	Solid Brass 1½" Stainless Steel Shackle
11002.....	Solid Brass 2" Stainless Steel Shackle
11003.....	Solid Brass 3" Stainless Steel Shackle
11004.....	Solid Brass 4" Stainless Steel Shackle

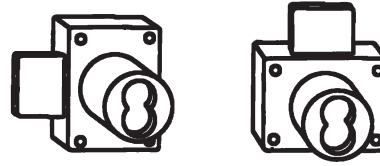
Add KR to item number for a Key Retaining System



Interchangeable Core Rim Housing

Available in 6 pin or 7pin units. Good for any Rim cylinder application. Available in US4 (satin brass), US26D (dull chrome) and US10B (oil rubbed bronze). US3 (polished brass) and US26 (polished chrome) available as special order. Cores sold separately. See page 46 of main catalog.

Function	Item#	Description
6 Pin	10200....	Brass
	10202....	Dull Chrome
	10203....	Oil Rubbed Bronze
7 Pin	11200....	Brass
	11202....	Dull Chrome
	11203....	Oil Rubbed Bronze



Interchangeable Cylinder Core Cabinet & Drawer Locks

Convenient field reversible, no appreciable down time. Accepts 6 and 7 pin core mechanisms. 1¼" standard barrel. Choice of finishes US26D dull chrome, US3 polished brass.

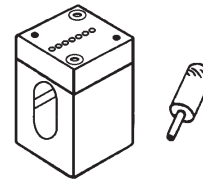
Function	Item#	Description
Cabinet Lock	10000.....	Brass
	10002.....	Dull Chrome
Drawer Lock	10100.....	Brass
	10102.....	Dull Chrome



Interchangeable Core Ejector Pin

Makes quick and easy work of "knocking out" pinned chambers. Another must tool for your shop.

Item#	Description
10004.....	Ejector Pin



Interchangeable Core Capping Block

Easily caps all 6 or 7 pin interchangeable cores one chamber at a time. A must tool for your shop!

Item#	Description
10001.....	Capping Block



Interchangeable Core Pin Kits

This simple kit is all you need to combine core cylinders. Easy to carry. Each pin is easy to identify as they are color coded. A-2 system. A3 and A4 available.

Item#	Description
10005.....	Pin Kit

Door & Window Hardware

Providing quality products to fit and protect quality doors and windows is a watchword at S.Parker. Cam sash locks for metal and wood windows, window bolts to secure a window partway open, sliding window locks for the same purpose, and window pins to allow flexible part-open security start the list, which continues with sash fasteners for double and single hung windows, keyed cam action sash locks, wedge window locks, and ventilating window locks. Sash lifts ease opening and hinged window locks keep upper or lower sashes from being opened.

Door security is aided with flip door locks that work without keys, patio door locks, and thumb screw sliders that work on both doors and windows. Quality door knockers in Colonial style continue on to door knockers with viewers, and nameplates, and then door hardware moves to door interviewers, with and without knockers, and adapter plates for the viewers. Viewers with chimes are also available, as are wide angle and super wide angle viewers. Patio bar guards and cabin door hooks provide more security, and S.Parker's wide range of door chain bolts, fasteners and keyed chain door locks reduce unauthorized entry.

The S.Parker swing door guard allows checking of visitors through a 4" opening to back up locksets, while hinge pin door closers make sure the door closes when someone passes through. Door chain alarms warn of forced entry attempts so there's time to call the police. Door chain alarms with key-locked chains are even more secure and have the same piercing alarm.



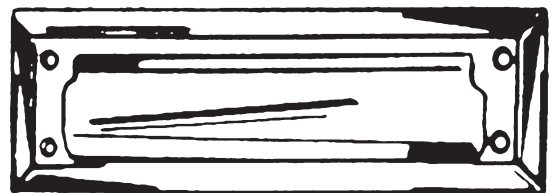
Solid Brass Letter Slot

The S. Parker Solid Brass Letter Slot comes in polished and antique brass finishes, and with a choice of front flaps and a back trim frame or with front and back flaps. Also available is a front flap only model. Overall size is 3" x 10", with a slot of 1½" x 7½".

Product #	Description
-----------	-------------

Front Flap and Back Trim Frame

D356 PB.....	Polished Solid Brass
D356 AB.....	Antique Solid Brass





Door Knob Bumper

S. Parker's 636 series offers solid brass material, with a soft door knob bumper to reduce impact. Overall, the base is 2 1/4" in diameter, and the bumper projects 3/4" from the wall. The regular unit attaches to the wall with a screw, but 636U TAPE is a self stick base model, 1 5/8" in diameter with a 7/8" concave projection.

Product # Description

Convex Projection Shape

- 636 PB.....Polished Solid Brass
- 636 DCH.....Dull Chrome Finish over Solid Brass
- 636 AL.....Aluminum

Concave Projection Shape

- 636U PB.....Polished Solid Brass
- 636U AL.....Aluminum
- 636U TAPE.....Self Stick All Rubber No Metal Collar



Covered Chain Door Stop

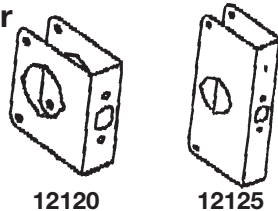
S. Parker's heavy duty 1631 series of covered steel chain door stops come in two finishes and four sizes, and are designed for heavy duty commercial use. Top quality stopping and cushioning effects, use strong compression springs to maintain those qualities. The vinyl cover protects door surfaces. The chain door stops are complete with solid brass mounting plates.

Product # Description

- 1631 PB20.....20" Polished Brass
- 1631 PB25.....25-1/2" Polished Brass
- 1631 PB30.....30-1/2" Polished Brass
- 1631 PB39.....39" Polished Brass
- 1631 DCH20.....20" Dull Chrome
- 1631 DCH25.....25-1/2" Dull Chrome
- 1631 DCH30.....30-1/2" Dull Chrome
- 1631 DCH39.....39" Dull Chrome

Solid Brass Door Armor

S. Parker's Door Armor is available in a polished brass finish. Easy installation. Solid brass door armor is for use on 1 3/4" thick doors with 2 3/4" backset.



Product # Description

- 12120 Polished Brass w/Screws Clamshell Pack 4" x 4 1/2" (For Deadbolt)
- 12125 Polished Brass w/Screws Clamshell Pack 4" x 9" (for Entry)



High Dome Door Stop

S. Parker 13H High Dome Door Stops are Type FF-H-111B-1330AE, and are 1 3/8" high, with a 2" diameter base. They require 1/2" of under-door clearance. They have aluminum, polished brass or dull chrome finishes. Some are made of solid brass material.

Product # Description

- 13H AL.....Aluminum Finish
- 13H PB.....Polished Brass Finish on Solid Brass
- 13H DCH.....Dull Chrome Finish on Solid Brass



Low Dome Door Stop

S. Parker's low dome door stops solve door clearance problems. These Type FF-H-11B-1130E door stops are 1" high with a 2" base diameter. Required under-door clearance is only 1/8". Some are solid brass material and they come in aluminum, polished brass or dull chrome finishes.

Product # Description

- 13S AL.....Aluminum
- 13S PB.....Polished Brass
- 13S DCH.....Dull Chrome



Floor Style Door Stop

Floor style door stops, without hooks, come in two finishes, with bases designed to be installed on concrete or wood. The door stops are 3" high, with a 2 1/2" base. The non-aluminum finish models are solid brass, while the aluminum finish models are aluminum.

Product # Description

- For Wood Surfaces** 237PB.....237SPB.....Polished Brass
- For Concrete or Tile Surfaces** 237DCH.....237SDCH.....Dull Chrome

Use "S" items for concrete or tile surfaces.
Use Non "S" items for wood surfaces.



Floor Style Door Stop and Holder

S. Parker floor mount door stop and holder units are 3½" high, with a 2½" diameter base. The non-aluminum finish models are solid brass, while the aluminum finish models are aluminum.

Product #	Product #	Description
For Wood Surfaces		For Concrete or Tile Surfaces
336PB	336SPB	Polished Brass
336DCH	336SDCH	Dull Chrome
336AL	336SAL	Aluminum

Use "S" items for concrete or tile surfaces.
Use Non "S" items for wood surfaces.



L Type Door Stop

The S. Parker L type door stops are easily installed, and take very little space. Overall height is 1⅝" and projection from the back edge is only 1". The 21330 model is brass plated, and carded, and the model 37 is poly bagged and brass plated.

Product #	Description
21330	Brass Plated Carded 1 per card
21332	Brass Plated 2 per card
38 RT	Rubber Tips for 37, 38, 39



Wall Door Stop

The S. Parker wall stop serves to prevent damage to wall and door when the door is opened forcefully. The door stops have a 3½" projection, and a 2½" diameter base. The non-aluminum finish models are solid brass, while the aluminum finish models are aluminum.

Product #	Product #	Description
For Wood Surfaces		For Concrete or Tile Surfaces
238XPB	238XPB	Polished Brass
238XDCH	238XDCH	Dull Chrome
238XAL	238XSAL	Aluminum
238XPCH	238XSPCH	Polished Chrome

Use "S" items for concrete or tile surfaces.
Use Non "S" items for wood surfaces.



Door Stop and Holder

Door stops and holders come with hooks, and are designed to work best with the specified floor material—wood, or concrete or tile. Projections are 3½", and the bases are 2½" in diameter. The non-aluminum finish models are solid brass, while the aluminum finish models are aluminum. This S. Parker door stop with holder has a shorter 2½" projection from the wall for places where space is a problem. The base is 2½" in diameter.

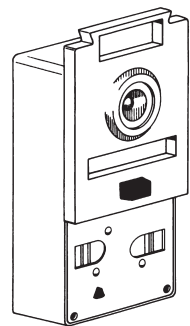
Product #	Product #	Description
3-1/2" Projection		
For Wood Surfaces		For Concrete or Tile Surfaces
238SPB	238SPB	Polished Brass
238DCH	238SDCH	Dull Chrome
238AL	238SAL	Aluminum

Use "S" items for concrete or tile surfaces.
Use Non "S" items for wood surfaces.

Product #	Description
2-1/2" Projection - For Wood Surfaces Only	
0238AL	Aluminum

Combination Door Chime and Interviewer

The non-electric chime easily fits almost all doors, and saves worrying about power problems. The 180 degree viewer aids security. There are frames for apartment number and resident's name. The 1602 comes in 2 finishes, polished brass and dull chrome.



Product #	Description
1602	Polished Brass Metal
1602DCH	Dull Chrome

Rigid Door Stop



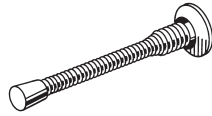
The rigid door stop mounts on the wall or baseboard, quickly and easily. It is made out of cast alloy with a 3" projection to keep the door knob from striking the wall. The BIN pack door stops come with UPC.

Product #	Description
21230	Brass Plated 1 per Card
21232	Brass Plated 2 per Card
38 P	Brass Plated Poly Bag with UPC
38 ZP	Zinc Plated Poly Bag
BIN 21230	Brass Plated Bin Pack 200 Per Bin with UPC
BIN 21210	Oil Rubbed Bronze Bin Pack 200 Per Bin w/ UPC
BIN 21215	Satin Nickel Bin Pack 200 Per Bin with UPC

Product #	Description
Rubber Tips	
38RT	Rubber Tips for 37, 38, 39

Spring Door Stop

This door stop model has a spring wound shank, and is cast alloy, with a 3" projection. The 39 series is plated with a plastic base. The BIN pack spring door stops come with a metal base and come in a bin pack of 200 with UPC



Product #	Description
39 BP	Brass Plated with Plastic Base
21530P	Brass Plated Metal Base Poly Bag with UPC
21530	Brass Plated Metal Base Carded
21532	Brass Plated Metal Base 2 per Card
BIN 21530	Brass Plated 200 per Bin with Metal Base
BIN 21510	Oil Rubbed Bronze 200 per Bin with Metal Base
BIN 21515	Satin Nickel 200 per Bin with Metal Base
38 RT	Rubber Tips for 37, 38, 39

8" Heavy Duty UL Surface Bolts

Used for swinging or sliding doors, including steel fire doors. All solid steel construction. The throw on either bolt is a minimum of 1". Choose from concealed or exposed screw styles. Easy to install, complete with mounting hardware. Available boxed.

8" Concealed Screw UL Surface Bolt

The mounting screws are totally concealed for extra security. It is jimmy resistant. A mortise strike is included for the top of a jam or reverse beveled door.

8" UL Surface Mounted Bolt with Exposed Screws

The mounting screws are exposed. A strong tension spring holds bolt in place. The spring design lets the bolts slide easily to the locked or unlocked position.

Product #	Description
-----------	-------------

Heavy Duty UL Surface Bolts

2095 ZP	8" Zinc Plated with Concealed Screws
2095 DCH	8" Dull Chrome Plated with Concealed Screws
2096 ZP	8" Zinc Plated with Exposed Screws

Heavy Duty Spring Door Stop

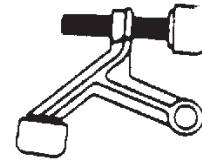
The S. Parker heavy duty spring cone wound door stop softens door impact, and comes in plated brass, with a 3" projection.



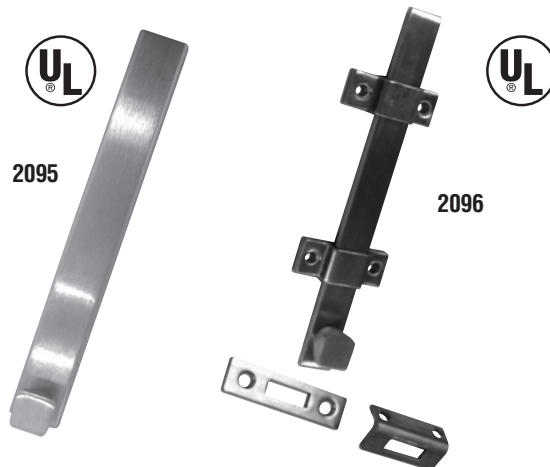
Product #	Description
42 BP	Brass Plated

Hinge Pin Door Stop

The S. Parker hinge pin door stop is brass plated or satin nickel, and attaches quickly to most hinge pins.



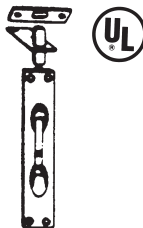
Product #	Description
BIN 21430	Brass Plated 100 per Bin with UPC
21430	Brass Plated Carded
41P	Brass Plated Poly Bag with UPC
BIN 21415	Satin Nickel 100 per Bin with UPC



Surface and Flush Bolts

UL and Other Lever Flush Bolts

Lever flush bolts with 12" rods (UL 197 series) are UL listed and meet ANSI A115.4 specifications. The 1" x 6 3/4" long bolts come in polished brass, dull chrome and oil rubbed bronze finishes. S. Parker 197 series lever flush bolts have 12" rods, and are 1" x 6 3/4", and come in aluminum, brass plated and bronze finishes. These are type FF-H-111B-1045 bolts.



Product #	Description
1" x 6-3/4" UL Listed	
UL197 PB	Polished Brass
UL197 DCH	Dull Chrome
UL197 RBZ	Oil Rubbed Bronze
1" x 6-3/4" Flushbolt	
197 AL	Aluminum

Lever Flush Bolts with Rounded Corners

S. Parker R198 series lever flush bolts have 12" rods, and rounded corners. The bolts are 1 5/16" wide x 5 5/8" long. With either a 1/8" or 1/4" offset, the bolts are available in aluminum and duranodic finishes, for installation on aluminum storefront doors.



Product #	Description
R198 ALQ	Aluminum 1/4" Offset with Radius Corners
R198 ALE	Aluminum 1/8" Offset with Radius Corners
R198 DURQ	Duranodic 1/4" Offset with Radius Corners
R198 DURE	Duranodic 1/8" Offset with Radius Corners

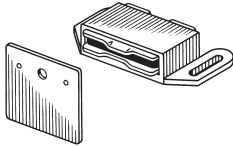
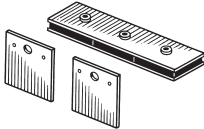
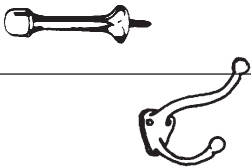
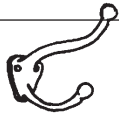
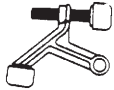
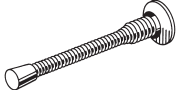


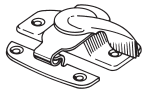

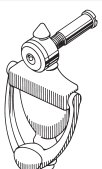
Convenience Merchandiser

Top-Selling Home-Owner Items in Shelf Bin Packs

- Space saver
- Most economical
- Neat, easy to use
- Attractive
- Sturdy, easy to move
- Easy inventory control
- UPC Coded

Other items available, bin packed to order. All poly-bagged with screws where needed.



	Item Number	Description	Bin Pack Quantity
	BIN 54280	Single Magnet Catch	100
	BIN 54303	Triple Magnet Catch	50
	BIN 21230	3" Rigid Door Stop Brass Plated	200
	BIN 21210	3" Rigid Door Stop Oil Rubbed Bronze	200
	BIN 21215	3" Rigid Door Stop Satin Nickel	200
	BIN 51130	Coat and Hat Hook Brass Plated	100
	BIN 51110	Coat and Hat Hook Oil Rubbed Bronze	100
	BIN 51115	Coat and Hat Hook Satin Nickel	100
	BIN 21430	Hinge-Pin Door Stop Brass Plated	100
	BIN 21415	Hinge-Pin Door Stop Satin Nickel	100
	BIN 21530	Spring Door Stop Brass Plated	200
	BIN 21510	Spring Door Stop Oil Rubbed Bronze	200
	BIN 21515	Spring Door Stop Satin Nickel	200
	BIN 51230	Hand Rail Bracket Brass Plated	50
	BIN 51210	Hand Rail Bracket Oil Rubbed Bronze	50
	BIN 51215	Hand Rail Bracket Satin Nickel	50
	BIN 51300	Plastic Pole Sockets	100
	BIN 72300	Cam Type Window Sash Lock	100
	BIN 73300	3/4" Brass Plated Bar Sash Lift	100
	BIN 73310	3/4" Oil Rubbed Bronze Bar Sash Lift	100
	BIN 73315	3/4" Satin Nickel Bar Sash Lift	100
	BIN 81810	Door Viewer/Knocker Oil Rubbed Bronze	25
	BIN 81815	Door Viewer/Knocker Satin Nickel	25
	BIN 81830	Door Viewer/Knocker Satin Brass	25