

XNV-6012

2M Mobile Vandal-Resistant Network Flat Camera

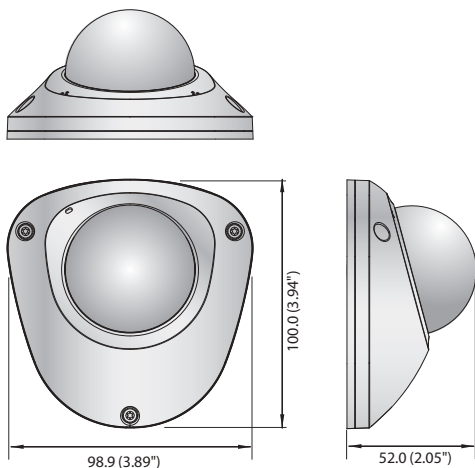


Key Features

- Max. 2Megapixel (1920 x 1080) resolution
- Max. 60fps@all resolutions (H.265 / H.264)
- 0.04Lux@F2.0 (Color), 0.04Lux@F2.0 (B/W)
- Built-in 2.4mm fixed lens
- H.265, H.264, MJPEG codec supported, Multiple streaming
- Day & Night (ICR), WDR (150dB)
- Tampering, Loitering, Directional detection, Defocus detection, Fog detection, Virtual line, Enter/Exit, (Dis)Appear, Audio detection, Face detection, Digital auto tracking, Sound classification
- Motion detection, Handover
- SD/SDHC/SDXC memory slot (Max. 256GB)
- IP66, IK10, NEMA4X
- Hallway view, PoE, LDC support

Dimensions

Unit : mm (inch)



XNV-6012

| | |
|-----------------------------------|---|
| VIDEO | |
| Imaging Device | 1/2.8" 2M CMOS |
| Total Pixels | 1,945(H) x 1,109(V) 2.16M |
| Effective Pixels | 1,945(H) x 1,097(V) 2.13M |
| Scanning System | Progressive Scan |
| Min. Illumination | Color: 0.04Lux (F2.0), B/W: 0.04Lux (F2.0) |
| S/N Ratio | 50dB |
| Video Out | USB: Micro USB type B, 1280 x 720, for installation |
| LENS | |
| Focal Length (Zoom Ratio) | 2.4mm fixed |
| Max. Aperture Ratio | F2.0 |
| Angular Field of View | H: 135.4° / V: 71.2° / D: 161.6° |
| Focus Control | Manual |
| Lens / Mount Type | Fixed / Board type |
| PAN / TILT / ROTATE | |
| Pan / Tilt / Rotate Range | ±5° / 0° ~ 67° / ±90° |
| OPERATIONAL | |
| Camera Title | Off / On (Displayed up to 85 characters) - W/W: English / Numeric / Special characters - China: English / Numeric / Special / Chinese characters - Common: Multi-line (Max. 5), Color (Gray / Green / Red / Blue / Black / White), Transparency, Auto scale by resolution |
| Day & Night | Auto (Electrical) / Color / B/W / Schedule |
| Backlight Compensation | Off / BLC / HLC (Masking / Dimming), WDR |
| Wide Dynamic Range | 150dB |
| Contrast Enhancement | SSDR (Off / On) |
| Digital Noise Reduction | SSNRV (2D + 3D noise filter) (Off / On) |
| Digital Image Stabilization | Off / On |
| Defog | Off / Auto / Manual |
| Motion Detection | Off / On (8ea, 8point polygonal zones), Handover |
| Privacy Masking | Off / On (32ea, polygonal zones) - Color: Gray / Green / Red / Blue / Black / White - Mosaic |
| Gain Control | Off / Low / Middle / High |
| White Balance | ATW / AWC / Manual / Indoor / Outdoor (Included mercury & Sodium) |
| Contrast | Level adjustment |
| LDC (Lens Distortion Correction) | Off / On (5 Levels with min / max) |
| Electronic Shutter Speed | Minimum / Maximum / Anti flicker (2 ~ 1/12,000sec) |
| Digital PTZ | 24x, Digital PTZ (Preset, Group) |
| Flip / Mirror | Off / On, Hallway view: 90°/270° |
| Video & Audio Analytics | Tampering, Loitering, Directional detection, Defocus detection, Fog detection, Virtual line, Enter/Exit, (Dis)Appear, Audio detection, Face detection, Motion detection, Digital auto tracking, Sound classification (w/ external MIC) |
| Alarm Triggers | Motion detection, Video & Audio analytics, Network disconnect |
| Alarm Events | File upload via FTP, E-mail, Notification via E-mail, Local storage (SD/SDHC/SDXC) or NAS recording at event triggers, External output, DPTZ preset |
| Audio Noise Reduction | Off / On |
| Pixel Counter | Support |
| NETWORK | |
| Ethernet | RJ45 (10/100 BASE-T) |
| Video Compression Format | H.265 / H.264 (MPEG-4 part 10/AVC) : Main / Baseline / High, MJPEG |
| Resolution | 1920 x 1080, 1280 x 1024, 1280 x 960, 1280 x 720, 1024 x 768, 800 x 600, 800 x 448, 720 x 576, 720 x 480, 640 x 480, 640 x 360, 320 x 240 |
| Max. Framerate | H.265 / H.264 : Max. 60fps at all resolutions, MJPEG : Max. 30fps |
| Smart Codec | Manual mode (Area-based : 5ea) |
| WiseStream II | Support |
| Video Quality Adjustment | H.265 / H.264, MJPEG : Target bitrate level control |
| Bitrate Control Method | H.265 / H.264 : CBR or VBR, MJPEG : VBR |
| Streaming Capability | Multiple streaming (Up to 10 profiles) Selectable (Mic in / Line in), Built-in microphone |
| Audio In | Supply voltage : 2.5V DC (4mA), Input impedance : approx. 2K Ohm |
| Audio Out | Line out, Max output level : 1Vrms |
| Audio Compression Format | G.711 u-law/G.726 selectable, G.726 (ADPCM) 8KHz, G.711 8KHz, G.726 : 16Kbps, 24Kbps, 32Kbps, 40Kbps, AAC-LC : 48Kbps at 16KHz |
| Audio Communication | Bi-directional (2-Way) |
| IP | IPv4, IPv6 |
| Protocol | TCP/IP, UDP/IP, RTP (UDP), RTP (TCP), RTCP, RTPS, NTP, HTTP, HTTPS, SSL/TLS, DHCP, PPPoE, FTP, SMTP, ICMP, IGMP, SNMPv1/v2c/v3(MIB-2), ARP, DNS, DDNS, QoS, UPnP, Bonjour |
| Security | HTTPS(SSL) login authentication, Digest login authentication, IP address filtering, User access log, 802.1X authentication (EAP-TLS, EAP-LEAP) |
| Streaming Method | Unicast / Multicast |
| Max. User Access | 20 users at unicast mode |
| Edge Storage | SD/SDHC/SDXC 1 slot (up to 256GB) - Motion Images recorded in the SD/SDHC/SDXC memory card can be downloaded. NAS (Network Attached Storage), Local PC for instant recording |
| Application Programming Interface | ONVIF profile S/G, SUNAPI (HTTP API), Wisenet open platform |
| Webpage Language | English, Korean, Chinese, French, Italian, Spanish, German, Japanese, Russian, Swedish, Portuguese, Czech, Polish, Turkish, Dutch, Hungarian, Greek Supported OS : Windows 7, 8.1, 10, Mac OS X 10.10, 10.11, 10.12 Non-plugin Webviewer - Supported Browser : Google Chrome 54, MS Edge 38, Mozilla Firefox 49 (Window 64bit only), Apple Safari 9 (Mac OS X only) |
| Web Viewer | Plug-in Webviewer - Supported Browser : MS Explore 11, Apple Safari 9 (Mac OS X only) |
| Central Management Software | SmartViewer, SSM |
| ENVIRONMENTAL | |
| Operating Temperature / Humidity | -30°C ~ +55°C (-22°F ~ +131°F) / Less than 90% RH * Start up should be done at above -20°C (-4°F) |
| Storage Temperature / Humidity | -50°C ~ +60°C (-58°F ~ +140°F) / Less than 90% RH |
| Ingress Protection | IP66 |
| Vibration Resistance | EN55011:2009+A1:2010, EN50581:2012, EN50121-3-2:2015, EN61000-4-2:2009, EN61000-4-3:2006+A2:2010, EN61000-4-4:2012, EN61000-4-5:2014, EN61000-4-6:2009, EN50155:2007, NEMA 4X |
| Vandal Resistance | IK10, NEMA4X |
| ELECTRICAL | |
| Input Voltage / Current | PoE (IEEE802.3af, Class3) |
| Power Consumption | Max. 6.5W |
| MECHANICAL | |
| Color / Material | Ivory (NCS S 0502-Y) / Metal |
| Dimensions (WxHxD) | 98.9 x 52.0 x 100.0mm (3.89" x 2.05" x 3.94") |
| Weight | 295g (0.65 lb) |

* The latest product information / specification can be found at hanwha-security.com

* Design and specifications are subject to change without notice.

* Wisenet is the proprietary brand of Hanwha Techwin, formerly known as Samsung Techwin.