

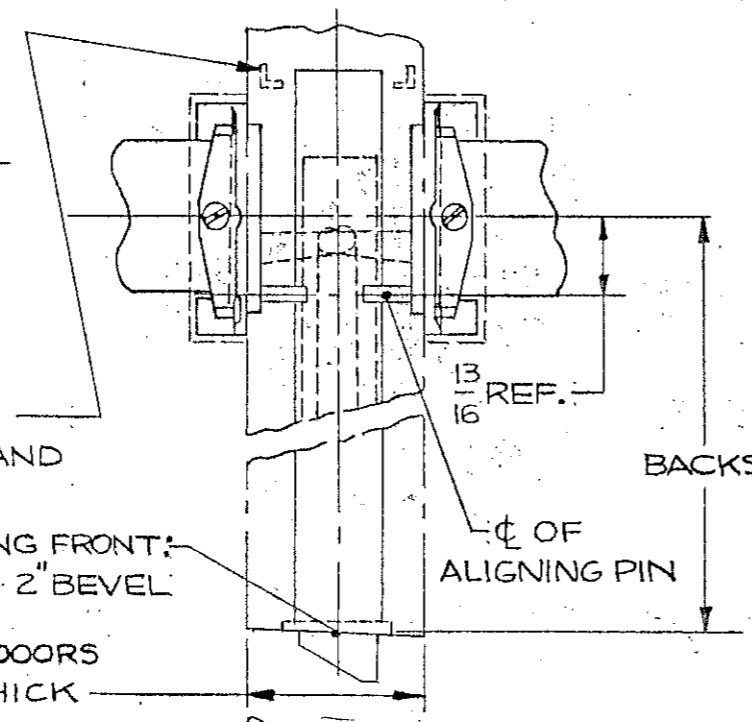
2 1/8" DIA. (THRU)
RECOMMENDED
HOLE SIZE

BACKSET

FOR 2 1/4" THICK DOORS: BACK END OF LATCH
ASSEMBLY TO BE SUITABLY SUPPORTED AND
CENTERED (WITHIN 1/16" OF CENTERLINE)

SELF-ADJUSTING FRONT:
FLAT TO 1/8" IN 2" BEVEL

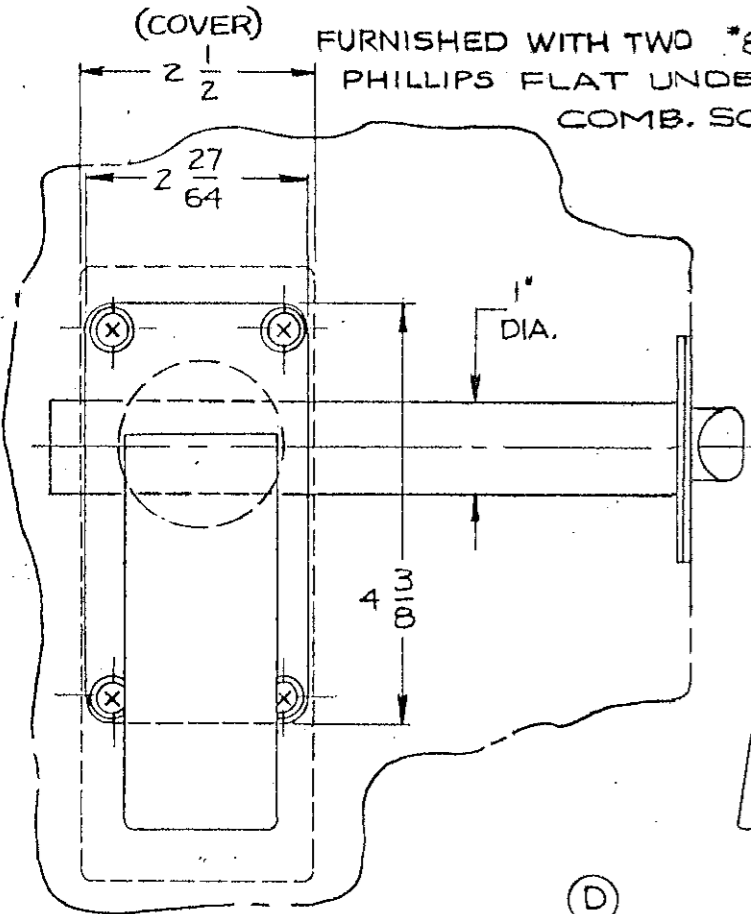
ADJUSTABLE FOR DOORS
1 3/4" TO 2 1/4" THICK



13/16" REF.

BACKSET

CL OF
ALIGNING PIN

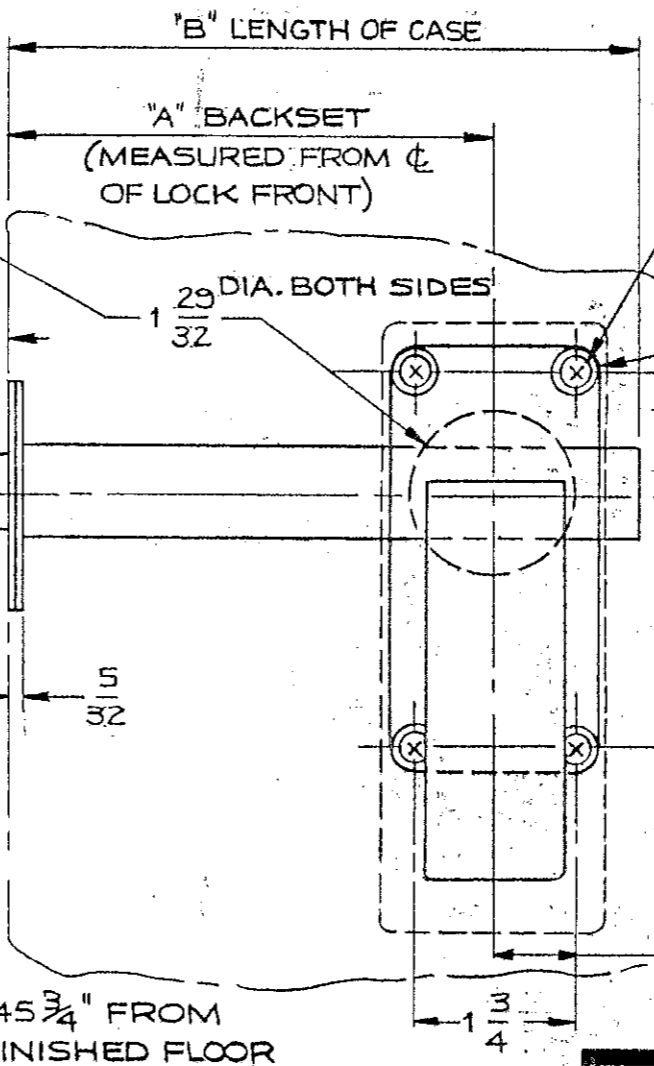


(COVER)

FURNISHED WITH TWO *8-32 x 3/4"
PHILLIPS FLAT UNDERCUT HEAD
COMB. SCREWS

7/8" DIA.

DASHED LINES
INDICATE POSITION
OF COVER



"B" LENGTH OF CASE

"A" BACKSET
(MEASURED FROM CL
OF LOCK FRONT)

FURNISHED WITH
*12-24 x 1/2" F.H.M.S.
(FOUR EACH SIDE
OF DOOR)

TO ASSURE CORRECT ALIGNMENT,
TAPPED HOLES IN DOOR TO BE
DRILLED AND TAPPED IN FIELD
(USING HOSPITAL LATCH AS TEMPLAT)

HOSPITAL LATCH	"A" BACKSET	"B" LENGTH OF CASE
114	5"	6 5/8"
26-114	7"	8 5/8"
24-114	2 3/4"	4 3/8"

- ④ FOR REGULARLY FURNISHED STRIKE, SEE STRIKE TEMPLATE No. 4131.
- ③ FITS FEDERAL SPECIFICATION FF-H-106a, BORED LOCK SERIES 161 WITH THE EXCEPTION OF DIM. "B" AND SPECIFIED HEIGHT ABOVE FLOOR
- ② SUITABLE REINFORCEMENT BY OTHERS
- ① DIMENSIONS SHOWN ARE MAXIMUM PART DIMENSIONS

U.S. PAT. NO 4,007,954

SARGENT & COMPANY NEW HAVEN, CONN. 06509

TEMPLAT:
114 HOSPITAL LATCH ④
(2 3/4", 5" & 7" BACKSETS)

RELEASE DATE
1 MAR 89
TEMPLAT NO.
4279D