

SARGENT

ASSA ABLOY

ASSA ABLOY, the global leader
in door opening solutions

INSTRUCTIONS FOR INSTALLING 12-3727 / 12-NB3727 SERIES VERTICAL ROD EXIT DEVICE.

FOR ASSISTANCE, CONTACT SARGENT AT 800-727-5477 or www.sargentlock.com

US PATENT NO. 268003
CANADIAN PATENT NO. RD1981

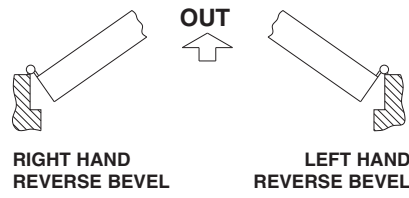
CAUTION: BEFORE STARTING

- DOOR SHOULD BE FITTED AND HUNG
- CHECK BOX LABEL FOR HAND AND SIZE OF EXIT DEVICE

AVAILABLE STOCK LENGTHS

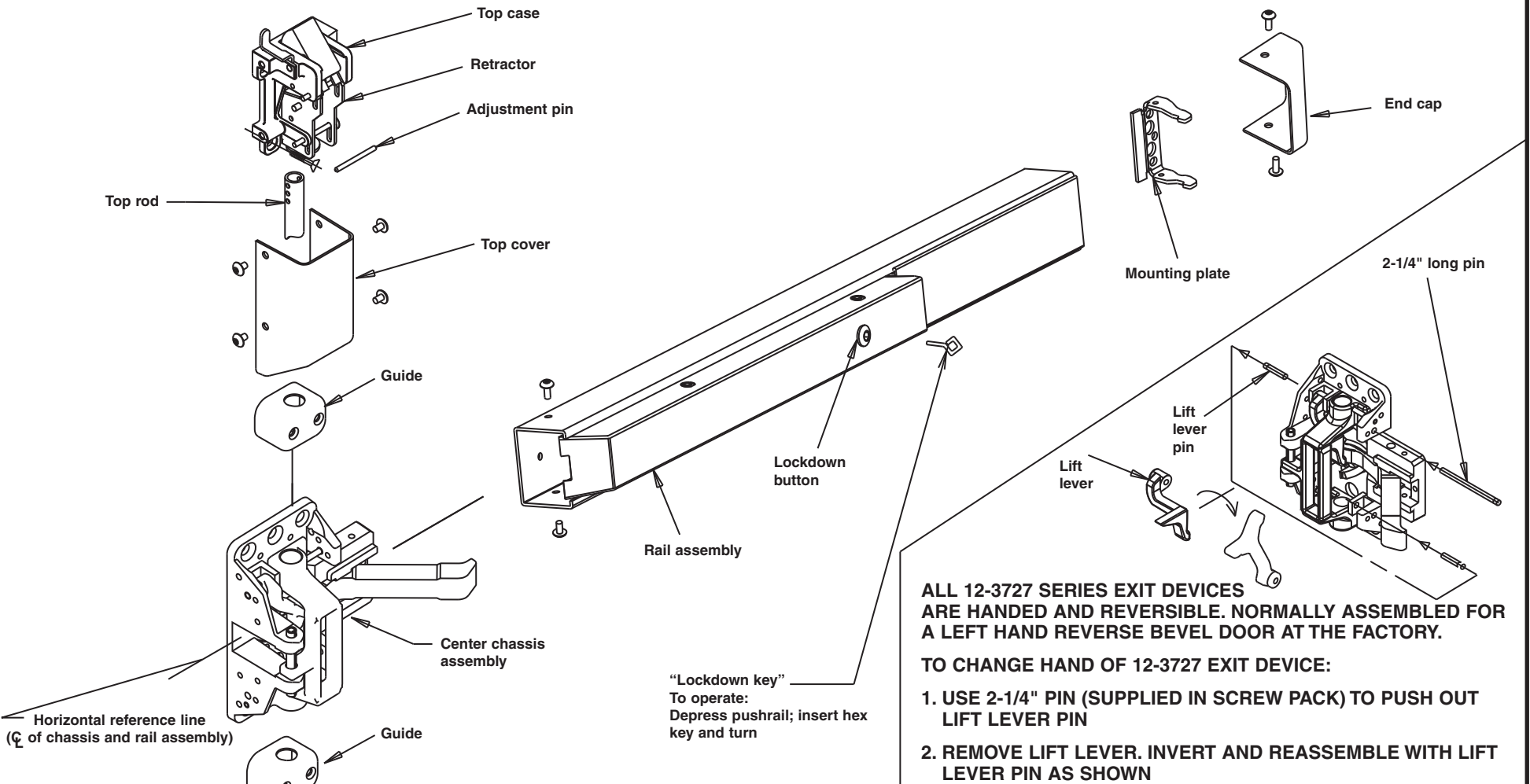
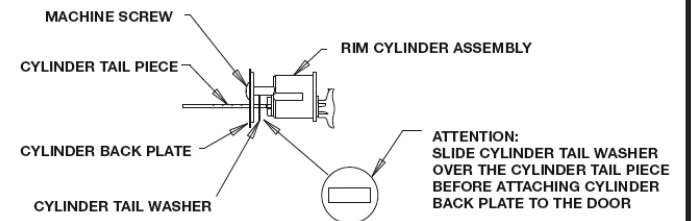
- LENGTH E 32" DOOR. CAN BE CUT TO FIT 24" DOOR.
- LENGTH F 36" DOOR. CAN BE CUT TO FIT 33" DOOR.
- LENGTH G 48" DOOR. CAN BE CUT TO FIT 43" DOOR.
- LENGTH J 42" DOOR. CAN BE CUT TO FIT 37" DOOR.

THIS EXIT DEVICE IS HANDED



IMPORTANT

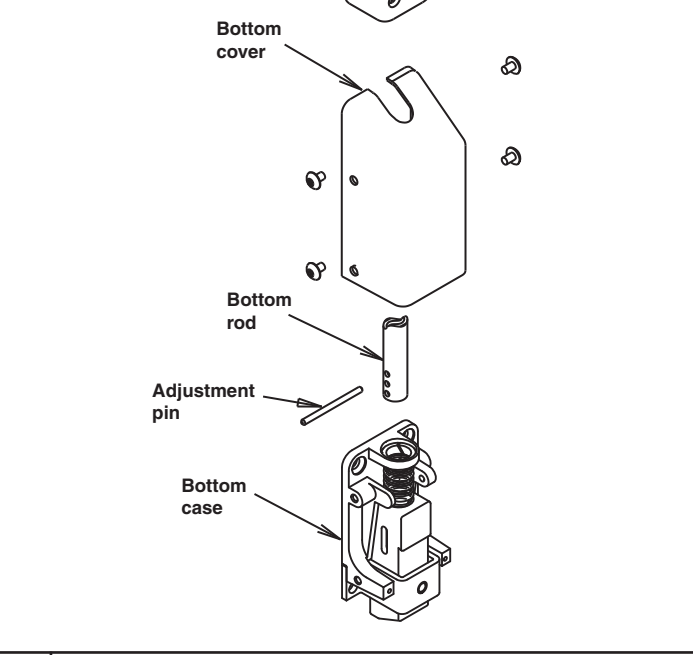
1. FOR RIM CYLINDER APPLICATIONS: INSTALL CYLINDER TAIL WASHER TO CYLINDER TAIL PIECE.
2. SURFACE OF THE DOOR WHERE EXIT DEVICE IS TO BE APPLIED, MUST BE FLUSH. CLEAR AWAY ANY RAISED PROJECTIONS TO ALLOW EXIT DEVICE TO REST ON FLAT SURFACE OF THE DOOR.



ALL 12-3727 SERIES EXIT DEVICES ARE HANDED AND REVERSIBLE. NORMALLY ASSEMBLED FOR A LEFT HAND REVERSE BEVEL DOOR AT THE FACTORY.

TO CHANGE HAND OF 12-3727 EXIT DEVICE:

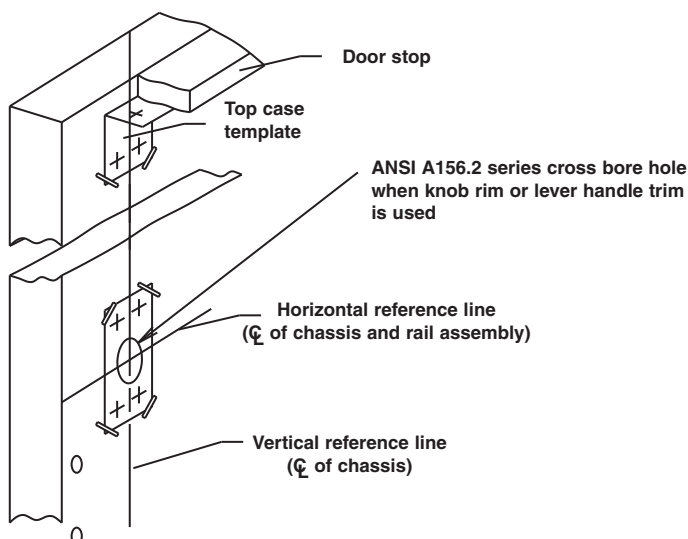
1. USE 2-1/4" PIN (SUPPLIED IN SCREW PACK) TO PUSH OUT LIFT LEVER PIN
2. REMOVE LIFT LEVER. INVERT AND REASSEMBLE WITH LIFT LEVER PIN AS SHOWN



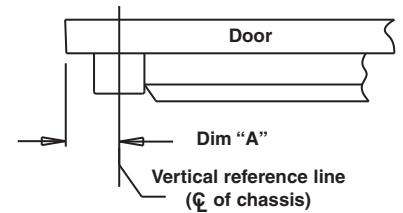
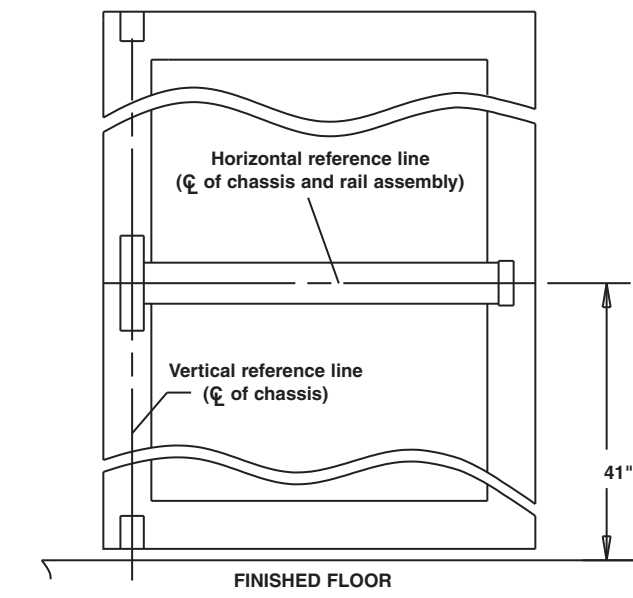
2. PREPARE DOOR

TAPE TEMPLATES ON INSIDE OF DOOR ALONG REFERENCE LINES WITH SUPPLIED TAPE

IF DOOR ALREADY HAS ANSI DOOR PREP (161 CUT-OUT) OR HAS 2-1/8" DIA. HOLE AT 2-3/4" BACKSET, POSITION TEMPLATE OVER EXISTING HOLE AND SPOT AND DRILL HOLES



1. MARK VERTICAL AND HORIZONTAL REFERENCE LINES ON DOOR



DETERMINE DIMENSION "A"

- IF LOCK STILE IS APPROX. 4 1/2" WIDE OR WIDER, DIM. A=2 3/4"
- IF LOCK STILE IS LESS THAN 4 1/2" WIDE, DIM. A = 1/2 OF THE VISIBLE WIDTH OF THE LOCK STILE (WHEN DOOR IS CLOSED AGAINST STOP)

Refer to template to locate horizontal reference line

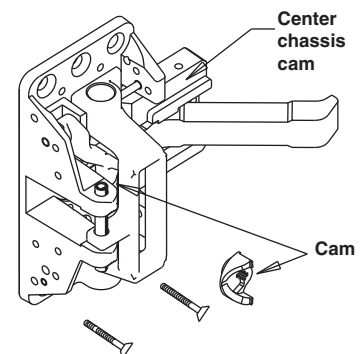
3. APPLY HARDWARE

FOR LEVER TRIM APPLICATIONS

SEE SEPARATE INSTRUCTION SHEET PACKED WITH TRIM

NOTE: FOR EXIT ONLY APPLICATIONS

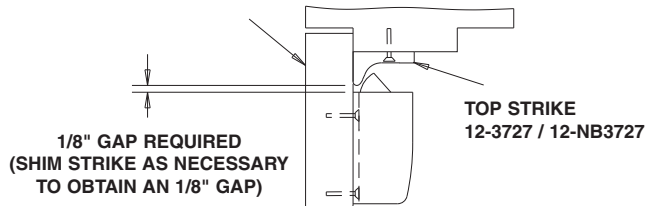
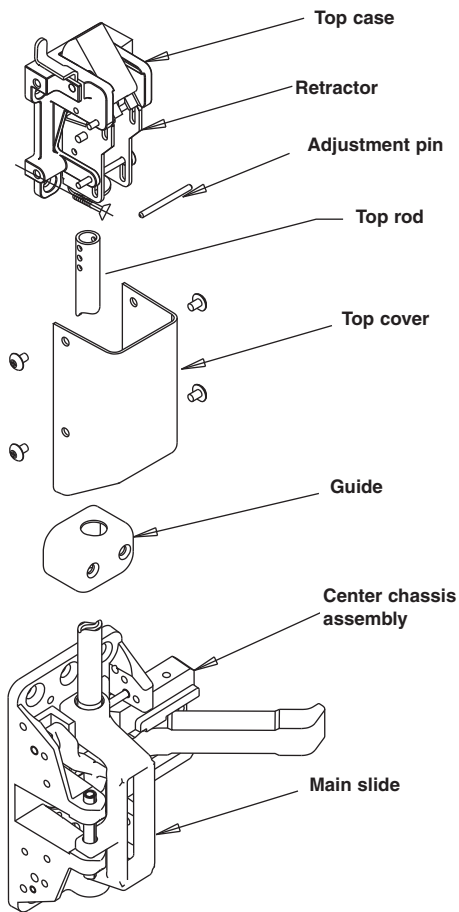
REMOVE AND DISCARD CAM FROM CENTER CHASSIS FOR FLUSH MOUNTING. ATTACH CHASSIS WITH FOUR (4) #10 WOOD OR MACHINE SCREWS



Copyright © Sargent Manufacturing Company, an ASSA ABLOY Group company. All rights reserved. Reproduction in whole or in part without the express written permission of Sargent Manufacturing Company is prohibited.

A7426E

4. 12-3727 INSTALL TOP & BOTTOM CASES

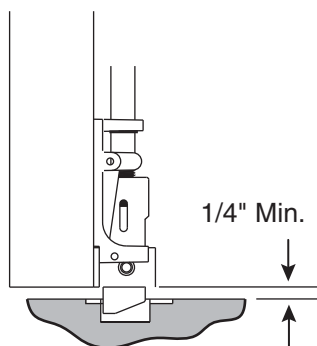
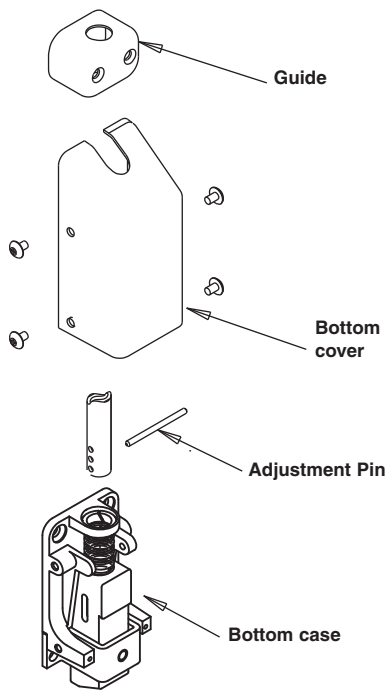


12-3727

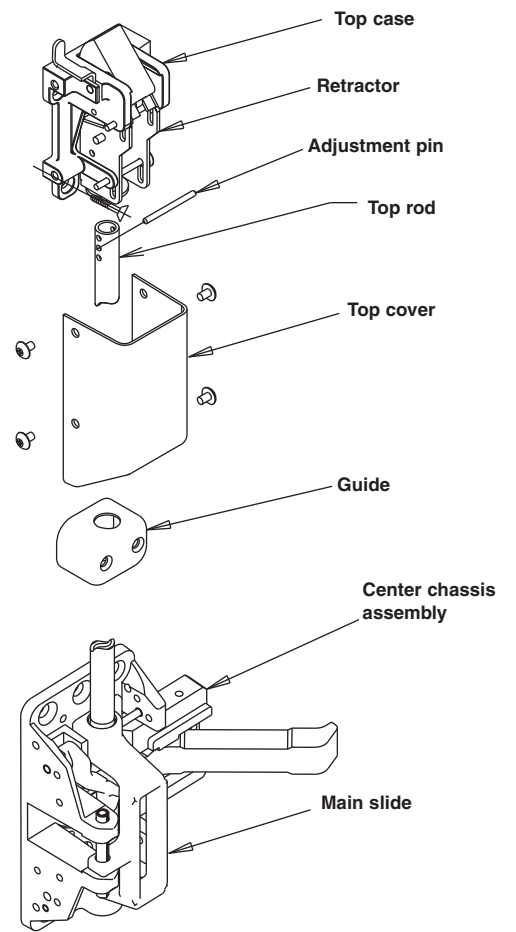
1. MOUNT TOP STRIKE ACCORDING TO LOCATION MARKED IN SECOND STEP. USE #10 STEEL SCREWS PROVIDED.
2. SCREW TOP ROD INTO MAIN SLIDE
3. ASSEMBLE TO TOP CASE BY INSERTING ADJUSTING PIN THROUGH RETRACTOR AND MIDDLE HOLE IN ROD. (SEE ILLUSTRATION AT LEFT). ADJUST SO THAT TOP CASE MOUNTING HOLES LINE UP WITH LOCATION MARKED IN SECOND STEP.
4. MOUNT BOTTOM CASE IN SAME MANNER AS TOP CASE. (SEE ILLUSTRATION BELOW FOR MORTISE OR SURFACE APPLIED STRIKE APPLICATIONS).

5. SECURE ROD GUIDES

NOTE: IF SHORTER RODS ARE REQUIRED, CUT TO LENGTH AND DRILL .125 / 1/8" DIA HOLE THROUGH.



12-NB3727 INSTALL TOP CASE



12-NB3727

1. MOUNT TOP STRIKE ACCORDING TO LOCATION MARKED IN SECOND STEP. USE FOUR (4) #10 STEEL SCREWS AND MORTISE NUTS IN THE FOUR CORNER MOUNTING HOLES ILLUSTRATED IN THE TOP CASE.
2. SCREW TOP ROD INTO MAIN SLIDE
3. ASSEMBLE TO TOP CASE BY INSERTING ADJUSTING PIN THROUGH RETRACTOR AND MIDDLE HOLE IN ROD (SEE ILLUSTRATION AT RIGHT). ADJUST SO THAT TOP CASE MOUNTING HOLES LINE UP WITH LOCATION MARKED IN SECOND STEP.

NOTE: IF SHORTER RODS ARE REQUIRED, CUT TO LENGTH AND DRILL .125 / 1/8" DIA THROUGH HOLES

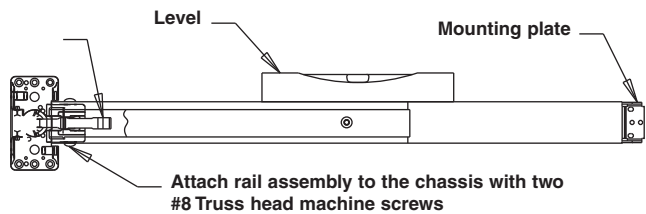
Thermal pins required for pair of 12-NB-3727 devices, one per door. 12-NB-3727 devices are NOT offered for single door application.

See template 4217A or instruction sheet A7436B for thermal pin door prep and installation.

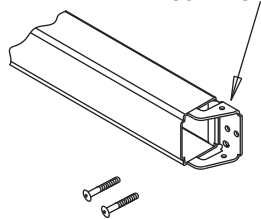
5. INSTALL RAIL ASSEMBLY

• CHECK BOX LABEL

- (A) DEPRESS ARM INTO RAIL OPENING AND SLIDE RAIL ONTO CHASSIS. LEVEL RAIL AND FASTEN MOUNTING PLATE

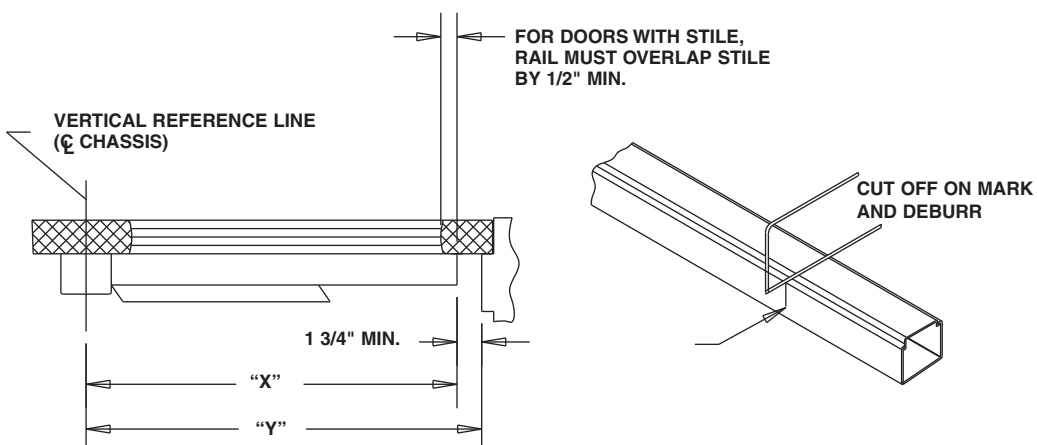


PLACE MOUNTING PLATE TIGHT AGAINST RAIL AND ATTACH IT TO THE DOOR WITH TWO #10 ROUND HEAD SCREWS

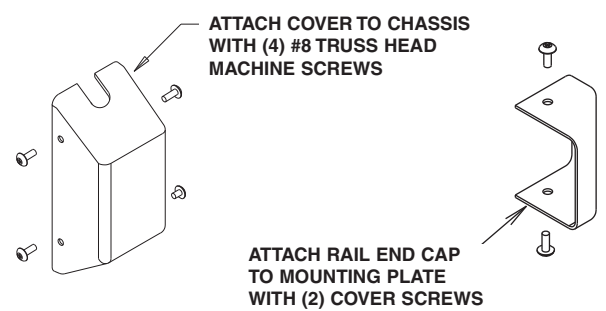


RAIL CUTTING INSTRUCTIONS

- (B) DETERMINE CUT OFF DIMENSION "X" BY SUBTRACTING 1-3/4" FROM DIMENSION "Y"



6. APPLY COVERS



ATTACH RAIL END CAP TO MOUNTING PLATE WITH (2) COVER SCREWS

