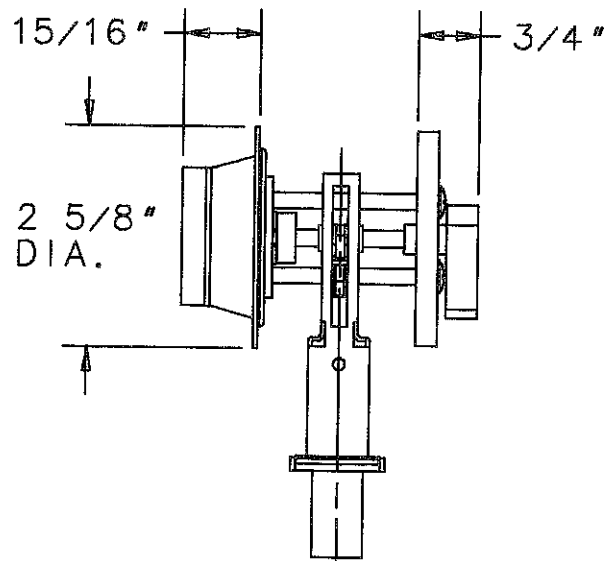
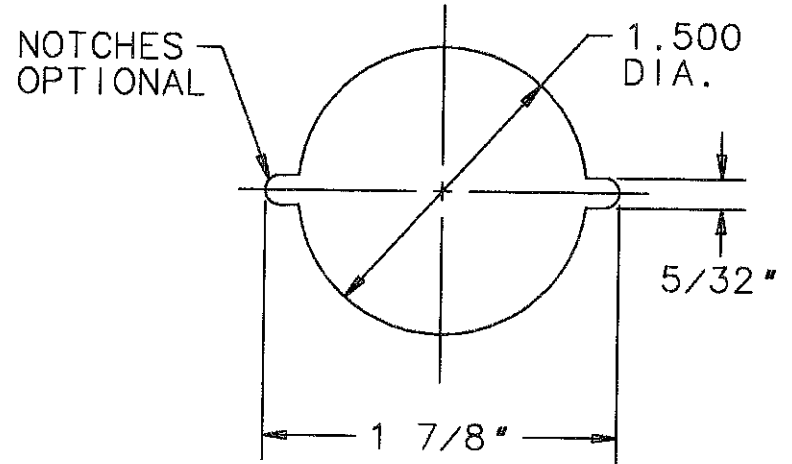


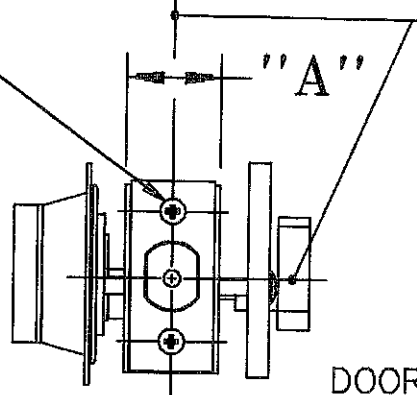
DIMENSION	2 3/8" BACKSET	2 3/4" BACKSET (w/ FRONT FILLER)
A	1"	1 1/8"
B	13/64"	15/64"



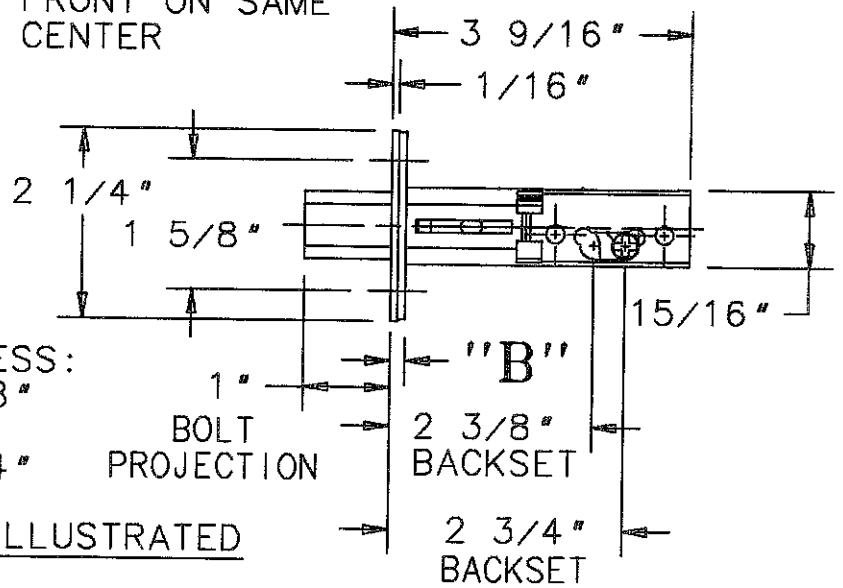
SUGGESTED DETAIL OF DOOR CUT-OUT (SEE NOTE 4)



#8 x 3/4" PHILLIPS FLAT HEAD COMBINATION SCREW
2 PLACES



STRIKE & LATCH FRONT ON SAME CENTER



DOOR THICKNESS:
1 3/8" TO 1 3/4"
475 FUNCTION ILLUSTRATED

- ⑤ FOR STRIKE SEE TEMPLATE NO. 4507
- ④ 479 FUNCTION ONLY, DOOR CUT-OUT HALF DOOR THICKNESS FROM INSIDE OF DOOR.
- ③ DIMENSIONS SHOWN ARE MAXIMUM PART DIMENSIONS.
- ② DIMENSIONS OF HOUSING WILL VARY BY FUNCTION AND DOOR THICKNESS.
- ① ALL FUNCTIONS COMPLETELY REVERSIBLE FOR RIGHT OR LEFT HAND REGULAR OR REVERSE BEVEL DOORS.

SARGENT & COMPANY		NEW HAVEN, CONN. 06511	
TEMPLATE:		RELEASE DATE	
470 SERIES AUXILIARY BORED LOCK (2 3/8" & 2 3/4" BACKSETS)		22 OCT 99	
		TEMPLT NO. 4503 A	