

SARGENT®

ASSA ABLOY

4870 Series Parts Manual



For assistance, contact SARGENT at
800-727-5477 or www.sargentlock.com

⚠ WARNING

This product can expose you to lead which is known to the state of California to cause cancer and birth defects or other reproductive harm. For more information go to www.P65warnings.ca.gov.

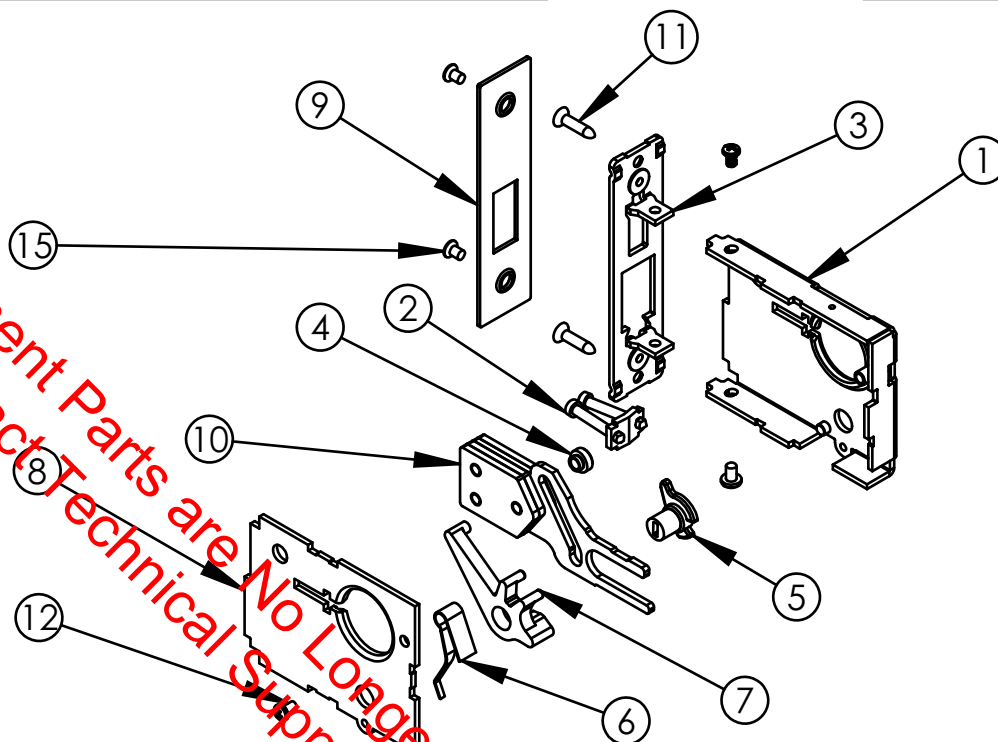
08/2018

**MORTISE DEADBOLT
4874, 4875, 4876
& 4879 FUNCTION**

PARTS LIST

PAGE REV.
No. No.
4800.3 D

04-2010



Replacement Parts are No Longer Available for this product. Please contact Technical Support for assistance at 1-800-727-5477.

ITEM NO.	PART NUMBER	DESCRIPTION	48-2088/QTY.
1	48-2090	CASE AND POST ASSEMBLY	1
2	48-2043	CYLINDER CLAMP ASSEMBLY	1
3	48-0043	INSIDE FRONT	1
4	48-0087	ROLLER/SUPPORT	1
5	48-0080	HUB CORE 4870 DEAD BOLT	1
6	48-0084	SPRING 4870 DEAD BOLT	1
7	48-0082	DEADBOLT ARM	1
8	48-0045	CAP 4870 DEAD BOLT	1
9	48-0042	OUTSIDE FRONT	1
10	48-2117	DEADBOLT ASSEMBLY	1
11	01-5000	PHILLIPS UNDERCUT FLAT HEAD COMBINATION SCREW	2
12	01-1142	8-32x.24 PH HD MACHINE SCREW	3
15	01-1028	8-32 X 1/4 FLAT UNDERCUT HEAD SCREW	2

© SARGENT Manufacturing Company, an ASSA ABLOY Group Company. All Rights reserved.

SARGENT
ASSA ABLOY