

SARGENT®

ASSA ABLOY

858 Padlock Parts List



For assistance, contact SARGENT at
800-727-5477 or www.sargentlock.com

⚠ WARNING
This product can expose you to lead which is known to the state of California to cause cancer and birth defects or other reproductive harm. For more information go to www.P65warnings.ca.gov.

08/2018

858 Padlock

PARTS LIST

PAGE No. 858
REV. B

10-2009

858 Padlock	Page #
858 Padlock	858.1
51-, 63-, or 11-63-858 Padlock	858.2

© SARGENT Manufacturing Company. All Rights reserved.

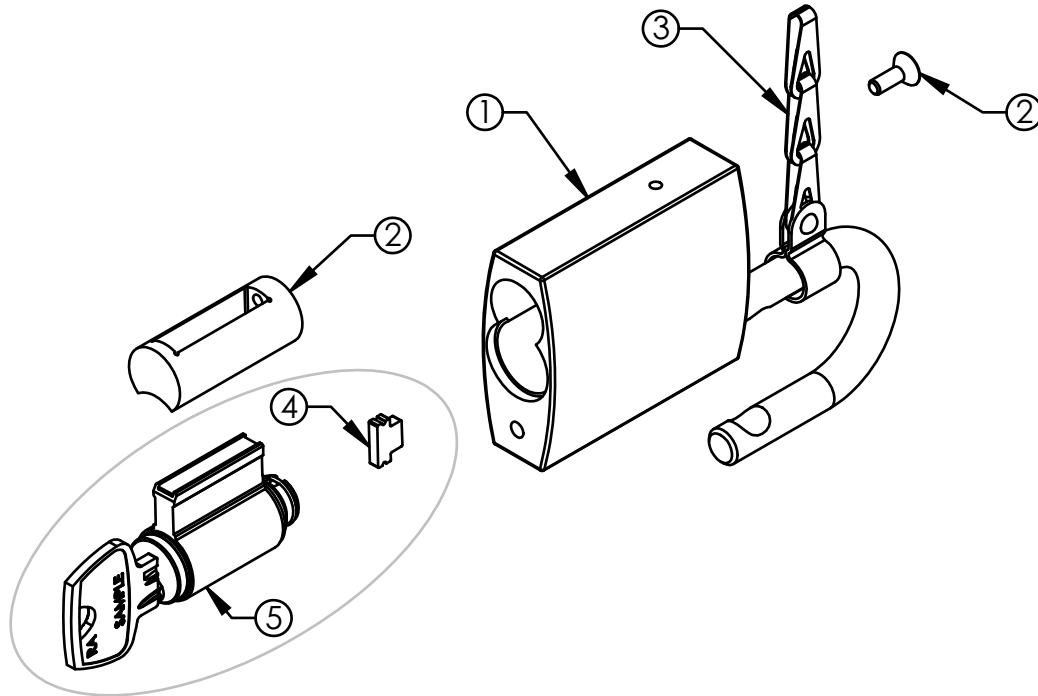


858 Padlock

PARTS LIST

PAGE REV.
No. B
858.1

10-2009



Padlock shown with 1" shackle and with optional 9 inch chain

ITEM #	PART NO.	DESCRIPTION
1	17-2581	Padlock body with 1" Stainless Steel shackle
1	17-2582	Padlock body with 2" Stainless Steel shackle
1	17-2583	Padlock body with 4" Stainless Steel shackle
1	17-2584	Padlock body with 1" Hardened Steel shackle
1	17-2585	Padlock body with 2" Hardened Steel shackle
1	17-2586	Padlock body with 4" Hardened Steel shackle
2	17-2633	Cylinder Retainer & Screw pack
3	17-2006	9 inch chain (C Suffix when ordering complete padlock) optional
4	13-1230	Tail piece only for standard cylinder, 10-, 11-, and 21- cylinders
5	13-4064	Standard 6-pin cylinder & tail piece assy. w/ 2 nickel silver keys
5	13-5020	Standard 6-pin cylinder & tail piece, construction keying (21- lost ball)
5	13-5019	Standard 6-pin cylinder & tail piece, Signature Feature (10-)
5	13-5021	Standard 6-pin cylinder & tail piece, construction keying Signature (10-21-)
5	13-4584	Standard 6-pin cylinder & tail piece, XC Feature (11-)
5	13-4067	Standard 6-pin cylinder & tail piece with Schlage C keyway (SC)
5	13-4068	Standard 6-pin cylinder & tail piece with Schlage E keyway (SE)

Note: All cylinders provided in US 4 finish and include 2 keys as standard

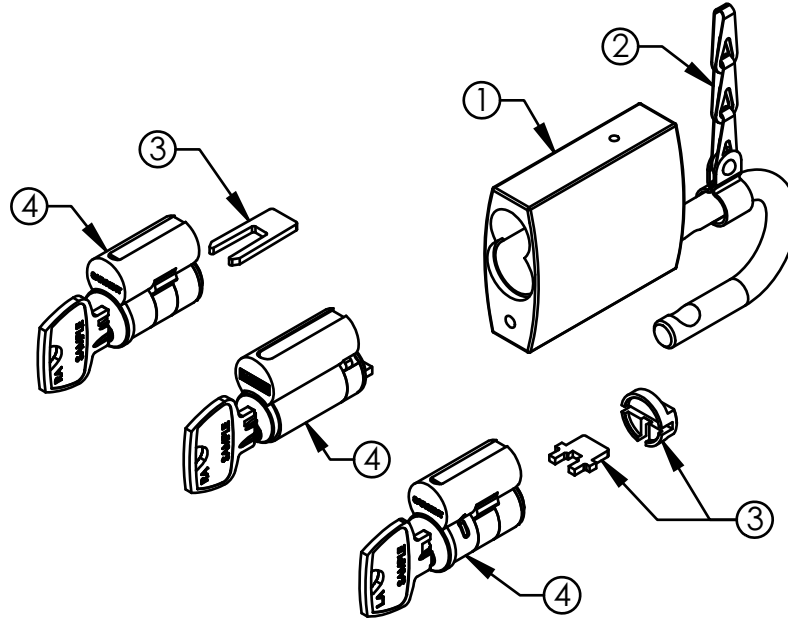
SARGENT®
ASSA ABLOY

51-, 63-, or 11-63-858 Padlock

PARTS LIST

PAGE REV.
No. B
858.2

10-2009



Padlock shown with 1" shackle and with optional 9 inch chain

ITEM #	PART NO.	DESCRIPTION
1	17-2581	Padlock body with 1" Stainless Steel shackle
1	17-2582	Padlock body with 2" Stainless Steel shackle
1	17-2583	Padlock body with 4" Stainless Steel shackle
1	17-2584	Padlock body with 1" Hardened Steel shackle
1	17-2585	Padlock body with 2" Hardened Steel shackle
1	17-2586	Padlock body with 4" Hardened Steel shackle
2	17-2006	9 inch chain (C Suffix when ordering complete padlock) optional
3	13-1231	Tail piece only for 6300 and 10-6300 removable core cylinders
3	17-2632	Tail piece / plastic retainer pack for 11-6300 cylinders
4	6300	Removable Core 6 pin 6300
4	10-6300	Signature Removable Core 6 pin standard
4	11-6300	XC Removable Core 6 pin standard
4	5134	Old style removable core cylinder

Note: All cylinders provided in US 4 finish and include 2 keys as standard. Control key p/n 6272 are ordered separately if required.

© SARGENT Manufacturing Company. All Rights reserved.

SARGENT®
ASSA ABLOY