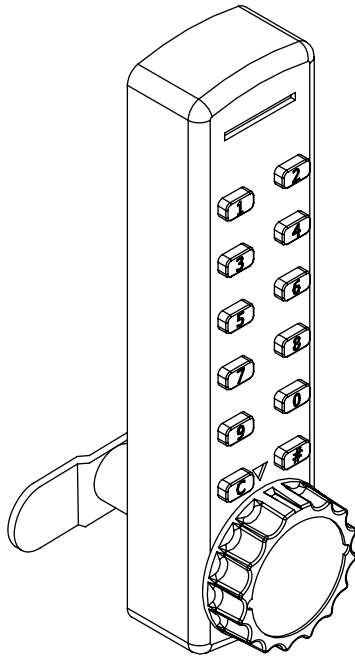


SDC Security Door Controls

801 Avenida Acaso, Camarillo, Ca. 93012 • (805) 494-0622 • Fax: (805) 494-8861
www.sdcsecurity.com • E-mail: service@sdsecurity.com

INSTALLATION INSTRUCTIONS Model 295 – Programmable Cabinet Lock



Features & Applications

- Ideal for new installations, or a quick retrofit for keyed cam locks
- Suitable applications include: cabinets, cupboards, medical carts, lockers, etc.
- Keypad with 12 individual buttons (0-9, C, #)
- Easily programmable codes:
 - 1 Master Code, 1 Sub-master Code, & 30 User Codes
- Configurable code length – 4 to 6 digits
- Three Operation Modes available:
 - Multiple User mode, Code Free mode, & Single Use mode (locker mode)
- 15,000 operations on 2 x AAA batteries (included)
- Non-volatile memory
- Battery failure override using a 9V battery and Master Code

Installation

Parts Included:

- Cabinet Lock w/ key cylinder and spindle
- Lock mounting screw & lock washer (x 2)
- Cam, cam mounting screw & lock washer
- Keys (x2)
- Installation instructions & template

Technical Information:

- Door Thickness: up to 3/4"
- Cam mounting: 3/4" square spindle
- Hole required for spindle: 11/16" diameter
- Batteries: 2 x AAA Alkaline (included)

Replacing an existing cam lock with the Cabinet Lock:

1. Remove existing cam lock.
2. Place supplied template over the existing hole. Align the 11/16" spindle hole on the template with the hole left by cam lock. Mark the upper & lower mounting holes.
3. Drill the two 3/16" mounting holes.
4. Cut the mounting screws to correct length. Measuring from beneath the bolt head, the length should be the cabinet thickness, plus approx. 5/8".
5. Mount the cabinet lock to the door using the supplied lock washer & mounting screws.
6. From the inside of the door select and attach the appropriate cam using the supplied cam mounting screw & washer.
7. Before closing and locking the door, test the operation of the lock using the default Master and User Codes (See *Basic Operation* on page 2).
8. It is recommended that the default Master and User Codes be changed at this time (See *Quick Start Programming* on page 2).

New installations:

1. Place the supplied template on door and mark the upper and lower 1/4" mounting holes and the 5/8" spindle hole.

NOTE: Before drilling fixing holes, verify that the position of the Cabinet Lock when fitted will allow enough clearance for the cam to work.

2. Drill all three mounting holes.
3. Continue the installation from steps 4 through 8 above.

Any suggestions or comments to this instruction or product are welcome. Please contact us through our website or email engineer@sdsecurity.com

Advanced Programming

Before any function is performed, you must first **Enter Programming Mode**.

NOTE: It is important that you wait for the appropriate LED response before continuing to the next intermediate step.

After entering programming mode, you have 30 seconds to press any key before the unit automatically exits programming mode.

Once a function # is entered, you have 5 seconds between intermediate steps. If you take too long and get a Red LED, wait until you see the blue pulse every 2 seconds, and restart the function.

After completing any function, the BLUE LED will blink twice (1 flash per second) as confirmation. The unit will remain in programming mode until you exit programming mode using Function 00, or by waiting 30 seconds for the automatic timeout.

Enter Programming Mode

Press # 12345 LED (B)(B) {The Blue LED will pulse once every two seconds while in programming mode.}

Function 00: Exit Programming Mode

Press 00 LED (B) # LED (B)(B)

Function 01: Change the Master Code / Change Code Length

Press 01 LED (B) Length of Code LED (B) Enter new Master code LED (B) Re-enter Length of Code LED (B) Re-enter Master Code LED (B)(B)
Example: 01 LED (B) 5 LED (B) 99999 LED (B) 5 LED (B) 99999 LED (B)(B) {Sets the code length = 5. Sets the Master Code to '99999'}

Function 04: Add or Change a User Code

Press 04 LED (B) User ID# LED (B) Enter new User code LED (B)(B)
Example: 04 LED (B) 02 LED (B) 98765 LED (B)(B) {Adds User ID 02 with code '98765'}

IMPORTANT:

User ID# ranges from 01 to 30.
User Codes must be same length as Master Code.
User Codes must be unique or they will be rejected.

Function 05: Delete All User Codes

Press 05 LED (B) 05 {LED will pulse quickly, and then flash for 1 second}

IMPORTANT:

All codes (User ID 01 – 30) will be erased.
Master & Sub-Master Codes are not affected.

Function 06: Suspend Any Authorized User Code

Press 06 LED (B) User ID# LED (B)(B)
Example: 06 LED (B) 10 LED (B)(B) {User code with User ID 10 is suspended}

IMPORTANT:

User ID# ranges from 01 to 30.
If User ID # is not an authorized user, an error will occur.

Function 07: Restore Any Authorized User Code

Press 07 LED (B) User ID# LED (B)(B)
Example: 07 LED (B) 10 LED (B)(B) {User code with User ID 10 is restored access}

IMPORTANT:

User ID# ranges from 01 to 30.
If User ID # is not an authorized user, an error will occur.

Function 08: Suspend ALL Authorized User Codes

Press 08 LED (B) 08 LED (B)(B) {All authorized user codes are suspended}

IMPORTANT:

Any users added after this function is activated, will also be suspended.
Master & Sub-Master Codes are not affected.

Function 09: Restore ALL Authorized User Codes

Press 09 LED (B) 09 LED (B)(B) {All authorized users are restored access}

Function 13: Hold Open (Code Free Mode)

Press 13 ^{LED} (B) 13 ^{LED} (B)(B) {The unit is continuously unlocked}

Function 14: Cancel Hold Open

Press 14 ^{LED} (B) 14 ^{LED} (B)(B) {The unit relocks and returns to normal operation}

Function 15: Change Unlock Time

Press 15 ^{LED} (B) Open Time ^{LED} (B)(B)

IMPORTANT:

Default = 3 seconds
Open Time may be set from 1 to 9 seconds.

Example: 15 ^{LED} (B) 5 ^{LED} (B)(B) {Unlock time is set to 5 seconds}

Function 02: Add/Change Sub-Master Code

Press 02 ^{LED} (B) New Sub-Master Code ^{LED} (B)(B)

IMPORTANT:

Sub-Master Code must be same length as Master Code.

Example: 02 ^{LED} (B) 22222 ^{LED} (B)(B) {Sets the Sub-Master code to '22222'}

Function 03: Delete Sub-Master Code

Press 03 ^{LED} (B) 03 ^{LED} (B)(B) {Deletes Sub-Master Code}

Function 11: Change from Single Use Mode to Multiple User Mode

Press 11 ^{LED} (B) 11 ^{LED} (B)(B)

IMPORTANT:

Performing Function 11 will reset all programming back to the factory default settings.

Function 12: Change from Multiple User Mode to Single Use Mode

Press 12 ^{LED} (B) 12 ^{LED} (B)(B) {The unit will remain unlocked. Entering a single use code will lock the unit. Re-entering the same code will open the lock only once and then be erased. The unit will again remain unlocked until the next single use code is entered into the lock}.

Function 80: Reset to Factory Default Settings

Press 80 ^{LED} (B) 80 ^{LED} (B)(B) {The lock programming is set to the factory default settings}

Default Settings

The 295 Cabinet Lock comes pre-programmed with the following default settings. Pressing any of the default codes will unlock the unit:

- Master Code + 12345 {Required for programming mode. This code may be changed, but not deleted}.
- User Code #01 = 54321 {This is User 01. the 295 can store up to 30 User Codes (numbers 01 through 30). This code may be changed or deleted.}
- Sub Master Code = None {This code can perform most programming functions. See Advanced programming}.
- Code Length = 5 digits {This code length may be set to 4, 5 or 6 digits}.
- Unlock Time + 3 seconds {The amount of time, in seconds, a user has to turn the latch once a valid code is entered}.
- Incorrect Code Lockout Time = 10 seconds {Locks out the keypad after (3) incorrect attempts. This is a fixed amount of time}.

LED Status Legend

- Blue LED – Single pulse (0.1 sec duration) = Keypad button pressed.
- Blue LED – Single Flash (1 sec duration) = User code accepted, OR Programming function/step accepted.
- Blue LED – Double Flash (1 flash per sec) + Entering/Exiting programming mode, OR Programming function completed.
- Blue LED – Repeating pulse (1 pulse every two sec) = In programming mode.
- Red LED – Single Flash (1 sec duration) = Code rejected, OR Programming error.
- Blue & Red LED – Single pulse (0.1 sec duration) – System power on, OR User code suspended.

Installation

Model 295 – Programmable Cabinet Lock Mounting Template

