

SDC SECURITY DOOR CONTROLS

801 Avenida Acaso, Camarillo, CA 93012 • (805) 494-0622 • Fax: (805) 494-8861
 www.sdcsecurity.com • E-mail: service@sdsecurity.com

INSTALLATION INSTRUCTIONS 491 EMERGENCY DOOR RELEASE

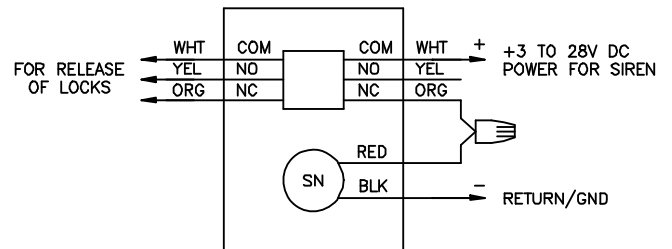
The SDC 491 "Break Glass" Emergency Door Release is ideal for immediate unlocking of perimeter doors or interior work area doors that are equipped with fail-safe electric locks.

The SDC 491 is specifically designed for emergency door release and may influence the approval of an electric locking system.

This type of Emergency Door Release may be preferred over a pull station since greater commitment is required to break the glass.

FEATURES

- Aluminum rod for striking the glass is included. (Not required to break the glass.)
- Blue painted finish with easy to read Activation Instructions avoids confusion with red Fire Alarm stations.
- Local door alarm siren DPDT 10 Amp Contacts - 1 SPDT for Lock Release and 1 SPDT Auxiliary contact for Remote Monitoring, CCTV Activation or Alarm Activation.
- The SDC 491 may initiate the release of an individual door or all doors connected to the Electric Locking System.
- The SDC 491 may be flush or recessed mounted in a 2" deep single gang box or double gang box with plaster ring cover. It may be surface mounted with a 491-BB Back Box.
- Two replacement glass plates included. For additional replacements order 491-GL.



SDC SECURITY DOOR CONTROLS

801 Avenida Acaso, Camarillo, CA 93012 • (805) 494-0622 • Fax: (805) 494-8861
 www.sdcsecurity.com • E-mail: service@sdsecurity.com

INSTALLATION INSTRUCTIONS 492 PULL STATION EMERGENCY DOOR RELEASE

INSTALLERS NOTE:

The station is supplied with the glass rod removed. It is recommended that the station be activated and tested prior to installation of the glass rod.

Glass Rod and Hardware are shipped in the station box.

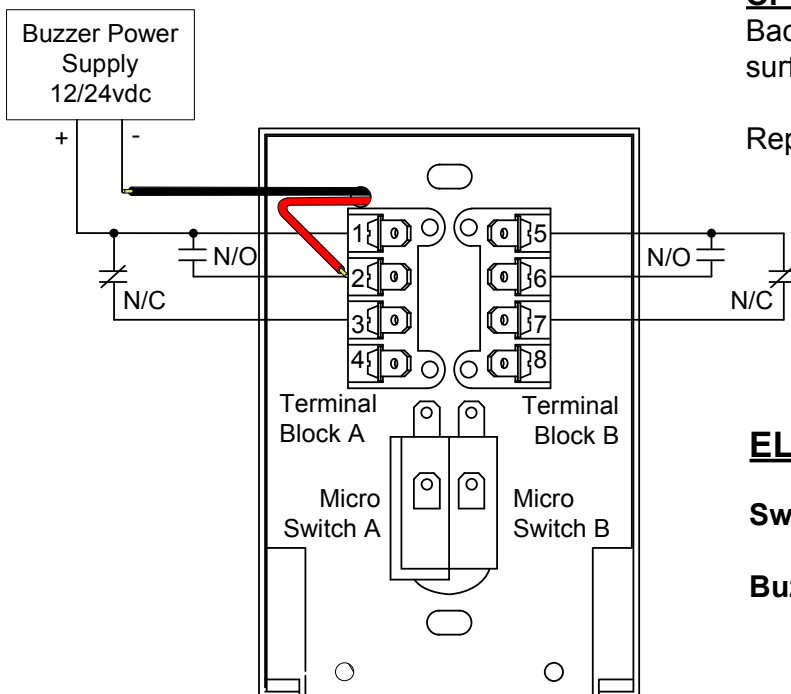
REPLACEMENT OF GLASS ROD:

Use an Allen wrench to open front cover of station. Remove the glass debris from broken rod, then reset T-Handle to the normal position.

To replace Glass Rod, insert one end of Rod under Spring Tab. Then, with one finger lift other end of Spring Tab allowing Glass Rod to slip into place.



TO CLOSE STATION:



OPTIONAL:

Back box model #492-BB available for surface mount

Replacement Glass Rod #492-GL4

ELECTRICAL SPECIFICATIONS:

Switch Contacts: DPDT 10A @ 125vac

Buzzer: 12/24vdc @ 10/20ma