
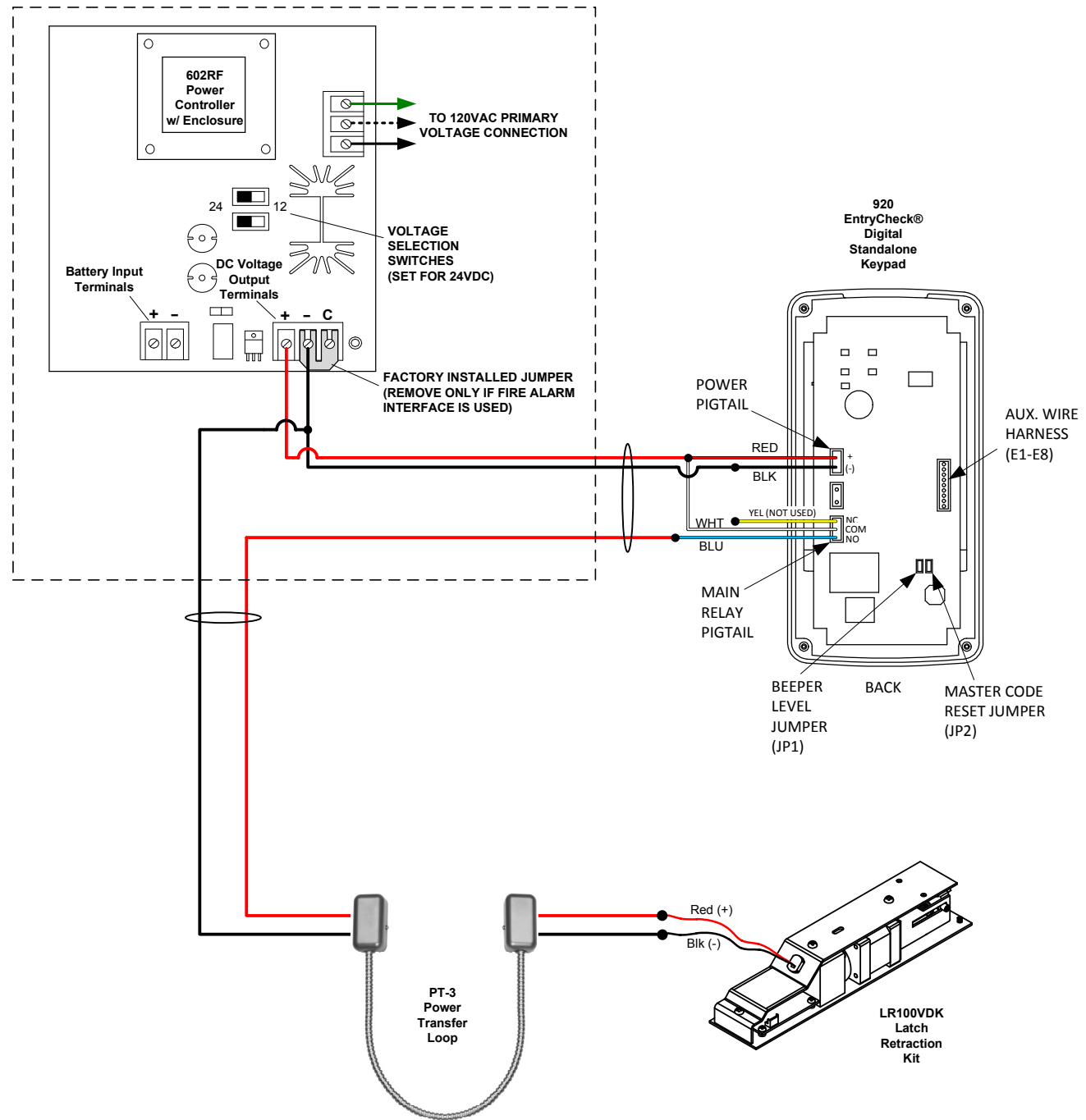
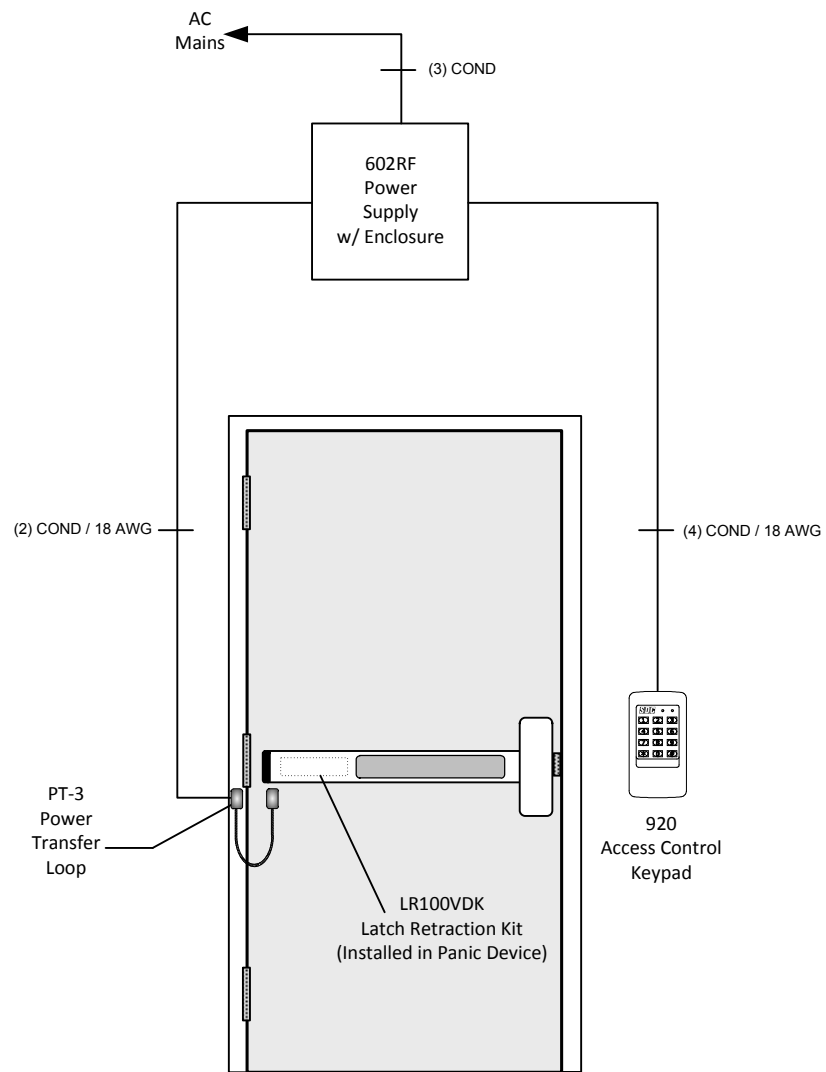


**GENERAL NOTES:**

- (1) ALL LOW VOLTAGE SIGNAL WIRING SHALL BE 18-GAUGE MINIMUM. THE MINIMUM INDUCTIVE LOAD (LOCK) POWER WIRE GAUGE SHALL BE DETERMINED PER THE SDC WIRE GAUGE CHART. ALL WIRING (SINGLE OR MULTI-CONDUCTOR) SHALL BE COLOR CODED WITHOUT SPLICES. A MINIMUM OF TWO SPARE CONDUCTORS IS RECOMMENDED.
- (2) SPECIFY VOLTAGE WHEN ORDERING PRODUCTS. VOLTAGE IS NOT SPECIFIED ON THIS WIRE DIAGRAM, BE SURE ALL PRODUCTS ARE VOLTAGE COMPATIBLE.
- (3) ALL WIRING MUST CONFORM TO NATIONAL, STATE AND LOCAL CODES.
- (4) ALWAYS CONSULT WITH THE AUTHORITY HAVING JURISDICTION (AHJ) BEFORE INSTALLATION.
- (5) WHERE REQUIRED BY CODE, CONNECT FAILSAFE SYSTEMS TO THE LOCAL FIRE LIFE SAFETY SYSTEM FOR EMERGENCY RELEASE.

© 2014 Security Door Controls Printed in U.S.A


 <b>Security Door Controls</b> 801 Avenida Acaso Camarillo, CA 93012 f 805.494.0622 ~ f 805.494.8861 www.sdcsecurity.com	NOTE: ALL WIRING MUST BE REVIEWED AND APPROVED BY THE PROJECT ENGINEER ASSIGNED TO THE LOCATION FOR ITS CORRECTNESS AND SUITABILITY FOR THE APPLICATION IN WHICH THE EQUIPMENT IS INSTALLED AND OPERATED. ALL WIRING MUST CONFORM TO NATIONAL, STATE, AND LOCAL CODES FOR CLASS 2 FIRE PROTECTION AND CONTROL DEVICES.	PROJECT NAME:	TITLE:				SO NO.:	REV
		ELR Performance Package	LRP-VD-1				-	-
LOCATION.:	DIST.:	CONTACT:	DATE:	DRAWN BY:	DWG. NO.:	Page 1 of 4		
--	-	service@sdsecurity.com	04/01/14	-	LRP-VD-PP			



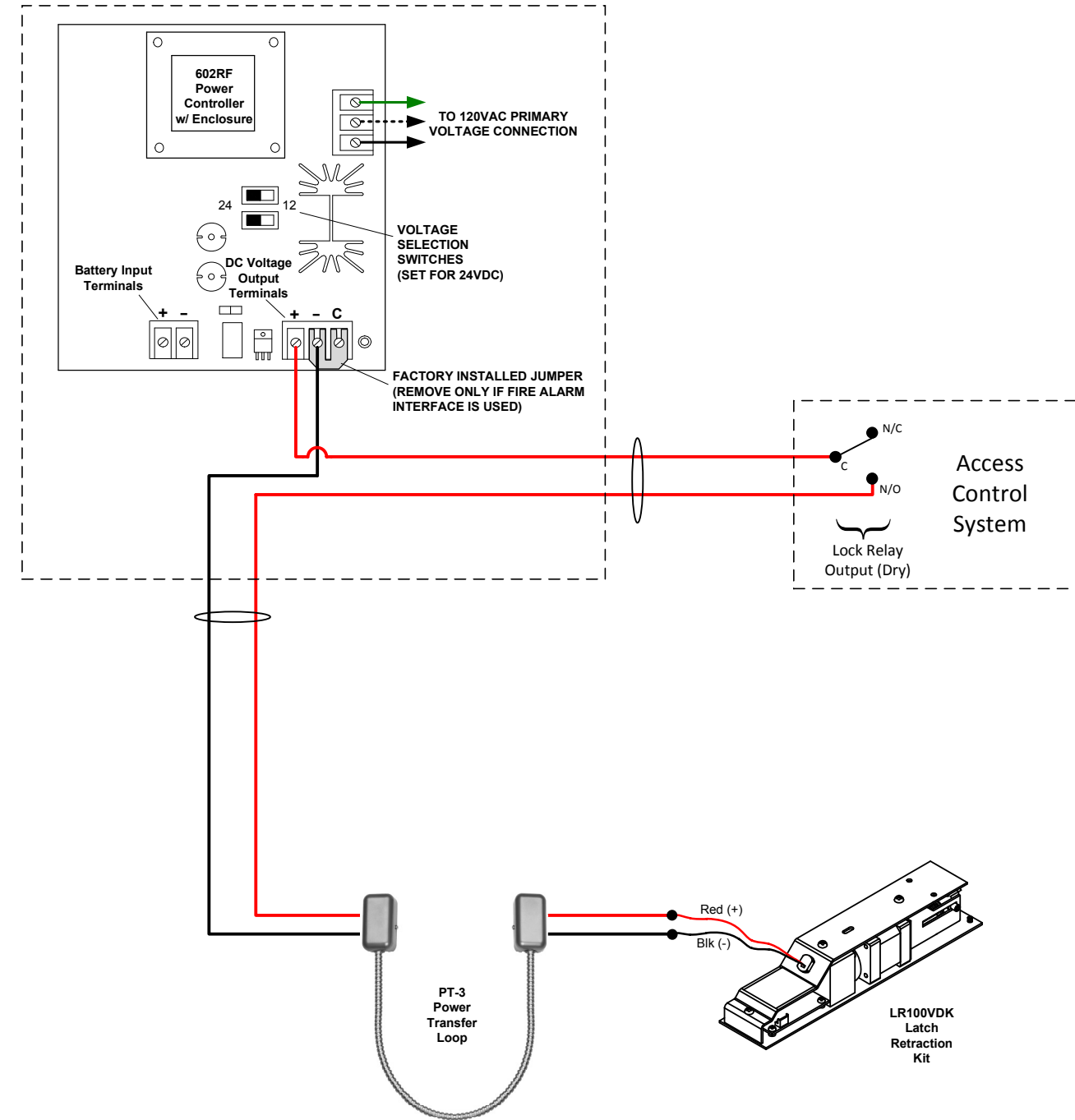
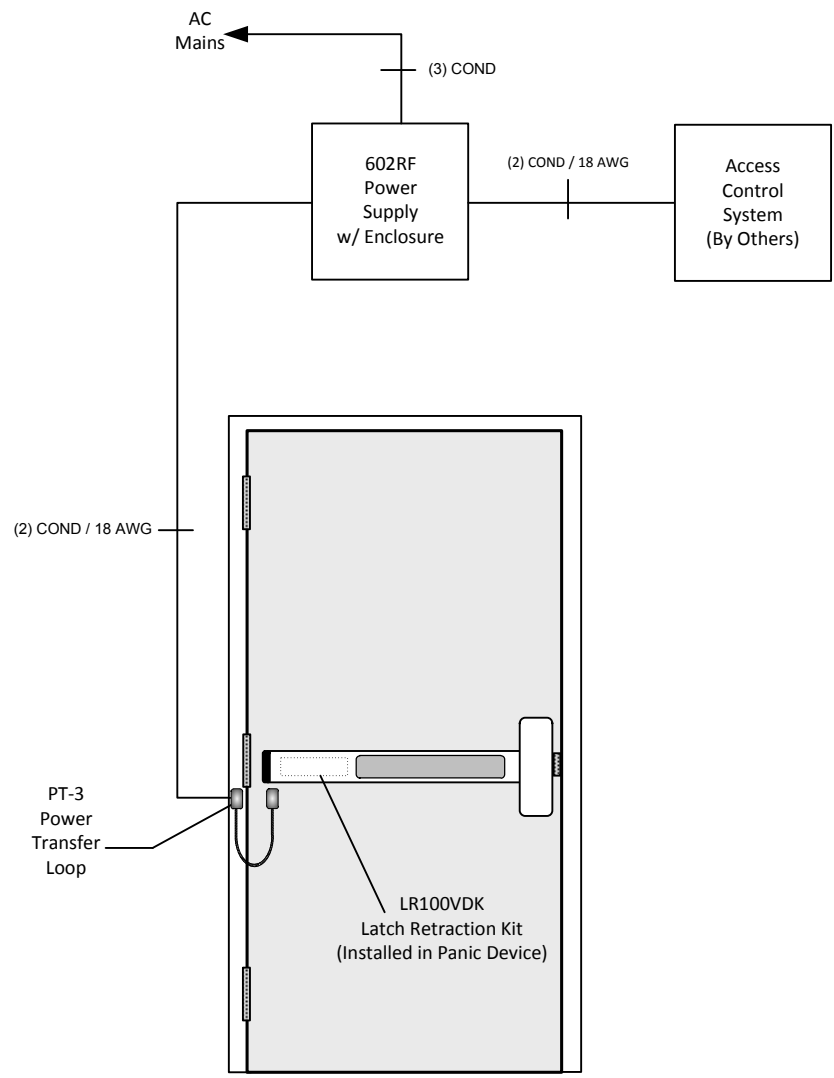
**GENERAL NOTES:**

- (1) ALL LOW VOLTAGE SIGNAL WIRING SHALL BE 18-GAUGE MINIMUM. THE MINIMUM INDUCTIVE LOAD (LOCK) POWER WIRE GAUGE SHALL BE DETERMINED PER THE SDC WIRE GAUGE CHART. ALL WIRING (SINGLE OR MULTI-CONDUCTOR) SHALL BE COLOR CODED WITHOUT SPLICES. A MINIMUM OF TWO SPARE CONDUCTORS IS RECOMMENDED.
- (2) SPECIFY VOLTAGE WHEN ORDERING PRODUCTS. VOLTAGE IS NOT SPECIFIED ON THIS WIRE DIAGRAM, BE SURE ALL PRODUCTS ARE VOLTAGE COMPATIBLE.
- (3) ALL WIRING MUST CONFORM TO NATIONAL, STATE AND LOCAL CODES.
- (4) ALWAYS CONSULT WITH THE AUTHORITY HAVING JURISDICTION (AHJ) BEFORE INSTALLATION.
- (5) WHERE REQUIRED BY CODE, CONNECT FAILSAFE SYSTEMS TO THE LOCAL FIRE LIFE SAFETY SYSTEM FOR EMERGENCY RELEASE.

© 2014 Security Door Controls Printed in U.S.A

 <b>Security Door Controls</b> 801 Avenida Acaso Camarillo, CA 93012 f 805.494.0622 ~ f 805.494.8861 www.sdcsecurity.com	NOTE: ALL WIRING MUST BE REVIEWED AND APPROVED BY THE PROJECT ENGINEER ASSIGNED TO THE LOCATION FOR ITS CORRECTNESS AND SUITABILITY FOR THE APPLICATION IN WHICH THE EQUIPMENT IS INSTALLED AND OPERATED. ALL WIRING MUST CONFORM TO NATIONAL, STATE, AND LOCAL CODES FOR CLASS 2 FIRE PROTECTION AND CONTROL DEVICES.	PROJECT NAME:	ELR Performance Package				TITLE:	LRP-VD-2			SO NO.:	-	REV	-
		LOCATION.:	--	DIST.:	-	CONTACT:	service@sdsecurity.com	DATE:	04/01/14	DRAWN BY:	-	DWG. NO.:	LRP-VD-PP	Page 2 of 4






**GENERAL NOTES:**

- (1) ALL LOW VOLTAGE SIGNAL WIRING SHALL BE 18-GAUGE MINIMUM. THE MINIMUM INDUCTIVE LOAD (LOCK) POWER WIRE GAUGE SHALL BE DETERMINED PER THE SDC WIRE GAUGE CHART. ALL WIRING (SINGLE OR MULTI-CONDUCTOR) SHALL BE COLOR CODED WITHOUT SPLICES. A MINIMUM OF TWO SPARE CONDUCTORS IS RECOMMENDED.
- (2) SPECIFY VOLTAGE WHEN ORDERING PRODUCTS. VOLTAGE IS NOT SPECIFIED ON THIS WIRE DIAGRAM, BE SURE ALL PRODUCTS ARE VOLTAGE COMPATIBLE.
- (3) ALL WIRING MUST CONFORM TO NATIONAL, STATE AND LOCAL CODES.
- (4) ALWAYS CONSULT WITH THE AUTHORITY HAVING JURISDICTION (AHJ) BEFORE INSTALLATION.
- (5) WHERE REQUIRED BY CODE, CONNECT FAILSAFE SYSTEMS TO THE LOCAL FIRE LIFE SAFETY SYSTEM FOR EMERGENCY RELEASE.

© 2014 Security Door Controls Printed in U.S.A

 <b>Security Door Controls</b> 801 Avenida Acaso Camarillo, CA 93012 t 805.494.0622 ~ f 805.494.8861 www.sdcsecurity.com	NOTE: ALL WIRING MUST BE REVIEWED AND APPROVED BY THE PROJECT ENGINEER ASSIGNED TO THE LOCATION FOR ITS CORRECTNESS AND SUITABILITY FOR THE APPLICATION IN WHICH THE EQUIPMENT IS INSTALLED AND OPERATED. ALL WIRING MUST CONFORM TO NATIONAL, STATE, AND LOCAL CODES FOR CLASS 2 FIRE PROTECTION AND CONTROL DEVICES.	PROJECT NAME:	ELR Performance Package				TITLE:	LRP-VD-4			SO NO.:	-	REV	-
		LOCATION.:	--	DIST.:	-	CONTACT:	service@sdsecurity.com	DATE:	04/01/14	DRAWN BY:	-	DWG. NO.:	LRP-VD-PP	Page 4 of 4