

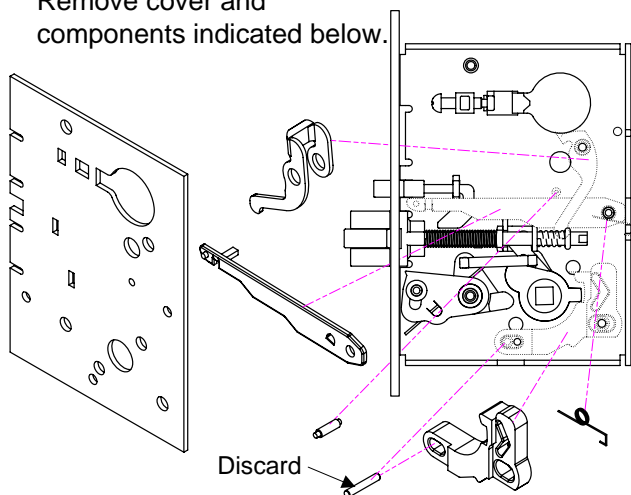
SDC Security Door Controls

801 Avenida Acaso, Camarillo, Ca. 93012 • (805) 494-0622 •
www.sdcsecurity.com • E-mail: service@sdsecurity.com

INSTALLATION INSTRUCTIONS SK-L90 FIELD ELECTRIFICATION KIT SCHLAGE L9000 MORTISE LOCKSET

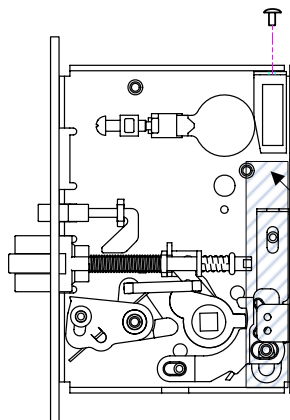
1

Remove cover and components indicated below.



2

Remove grease from inside of case where indicated. Attach Solenoid Holder to case. Use supplied screw through the top of the case where shown.

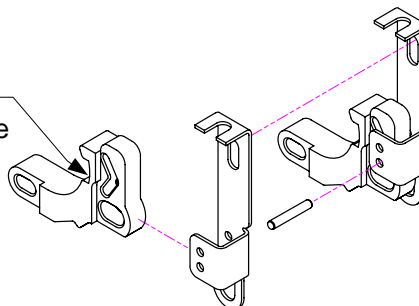


Remove grease from shaded area

3

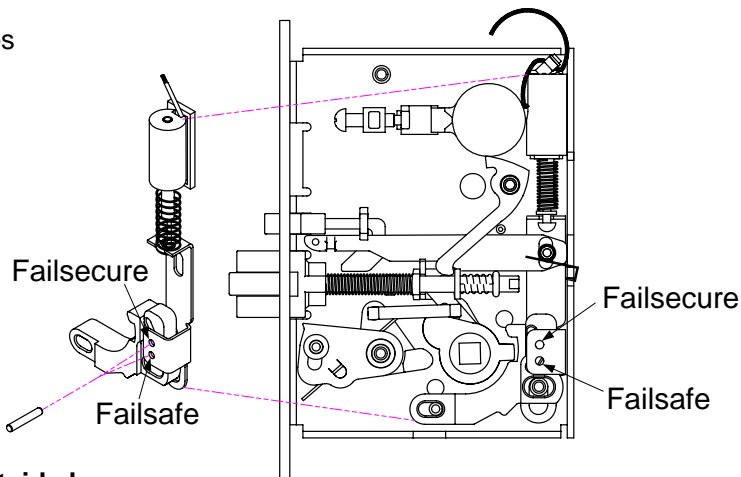
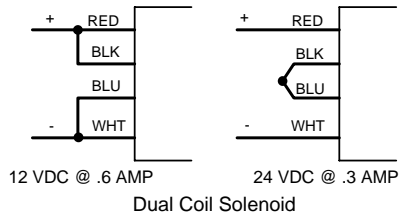
Remove burrs and sharp edges where indicated. Assemble and install Locking Slide Components as shown. Set the Solenoid assembly inside the Solenoid holder.

File off all burrs & sharp edges. Remove all grease



4

Attach Solenoid to Slide Arm and route wires as shown. Use cable tie for strain relief. Re-attach components from Step Two (except the pin). Re-install cover and test Lock.



NOTE: L9080 requires spring cage for outside lever

Any suggestions or comments to this instruction or product are welcome. Please contact us through our website or email engineer@sdsecurity.com