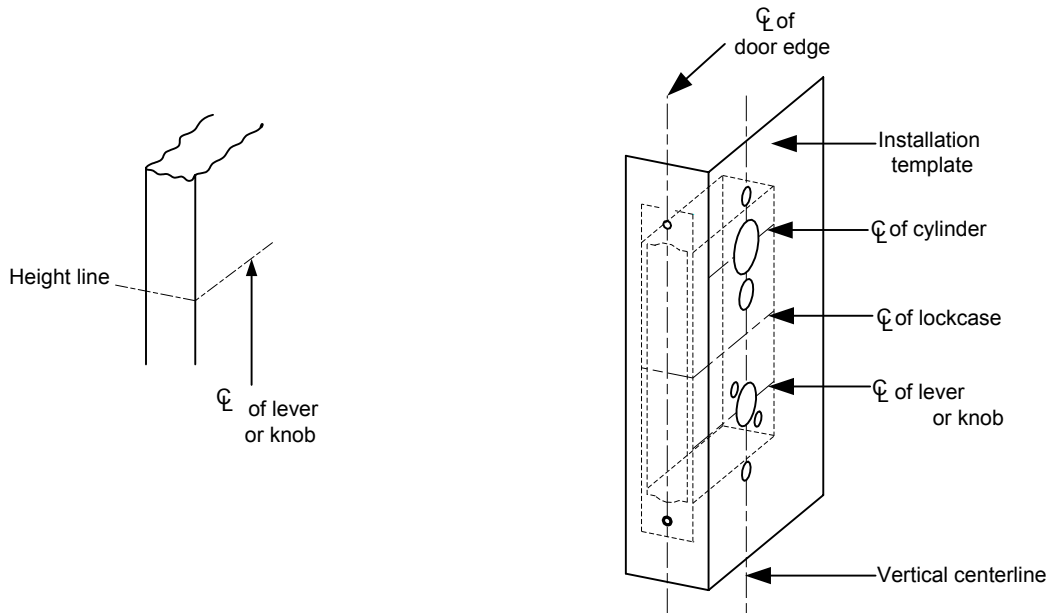




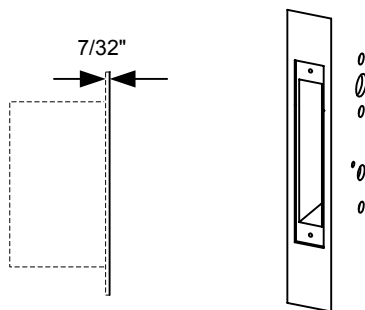
## INSTALLATION INSTRUCTIONS Z7800 SERIES MORTISE LOCK

### A. Door Preparation:

1. Measure desired height from finished floor, mark a horizontal line on door and door edge.
2. Align template on edge of door with applicable horizontal at height line. Check the chart for drilling trim holes on template and mark only holes for lock function being installed.



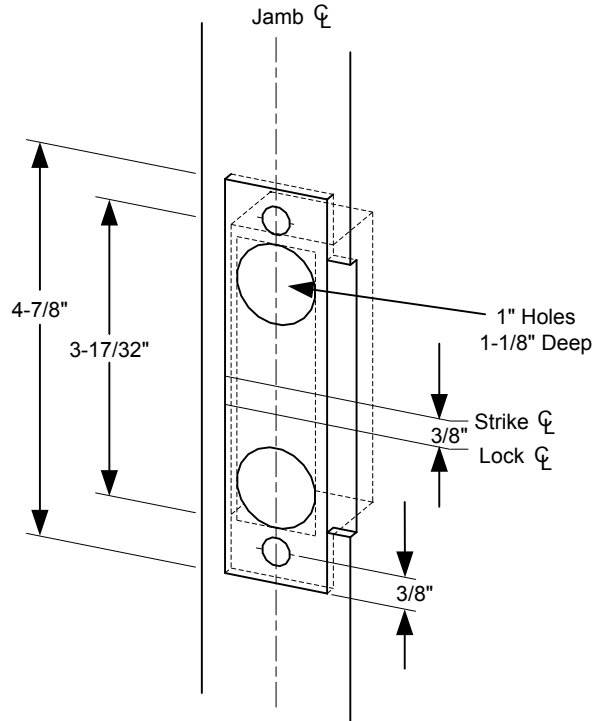
3. Mortise door edge according to measurements on installation template and drill proper holes for trim.
4. Recess for face plate, the dimension is: L 8-1/32" x W 1-5/16" x D 7/32".



Any suggestions or comments to this instruction or product are welcome. Please contact us through our website or email engineer@sdsecurity.com

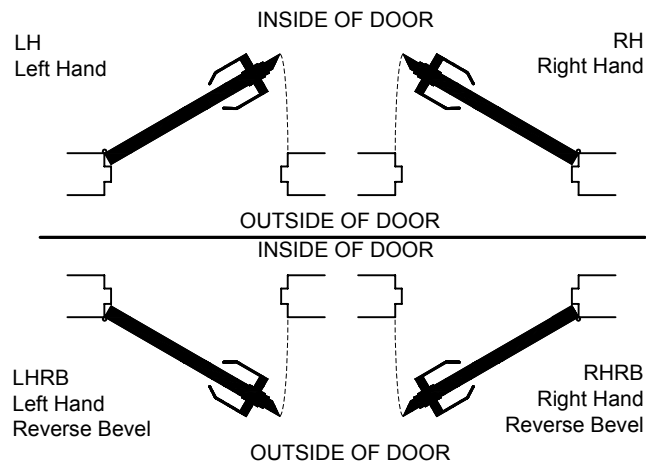
**B. Strike Installation:**

1. Align strike template on jamb. Be sure to keep 3/8" distance between lock centerline and strike centerline. Recess 5/32" for flush fit of strike and dust box.
2. Mortise jamb according to measurement of strike template. Then fit strike and dust box into frame and secure into place with supplied screws.



**C. Install Lockcase**

Make sure the lock hand matches the door hand, use the following diagram to determine the hand of door.

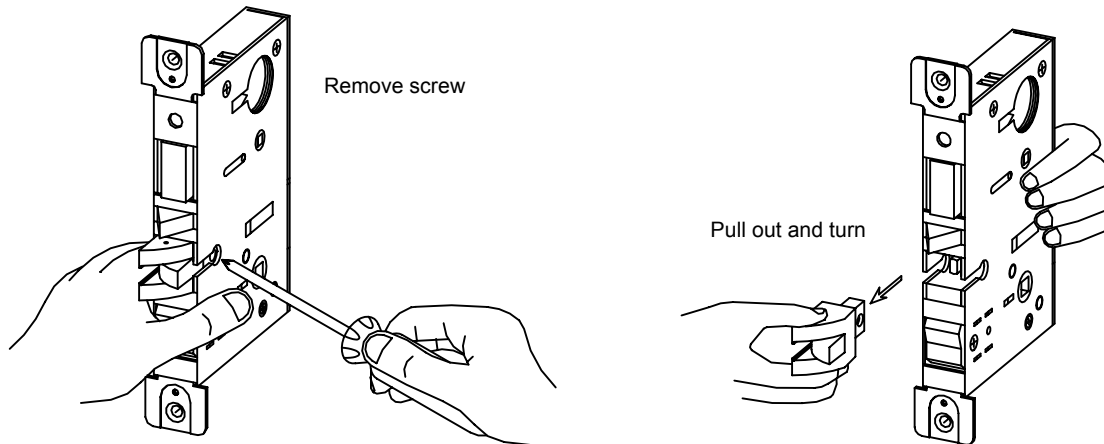


## C. Install Lockcase (Continued)

### Instructions for changing lock hand:

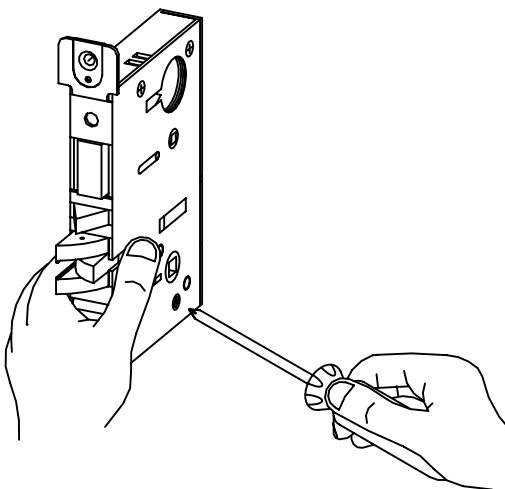
#### 1. Change latchbolt handing

If the hand of the latchbolt doesn't match the door hand, remove the fixing screw and pull the latchbolt out from lock case. Turn the latchbolt 180 ° to change the handling. Position latchbolt back, into case and fasten it.

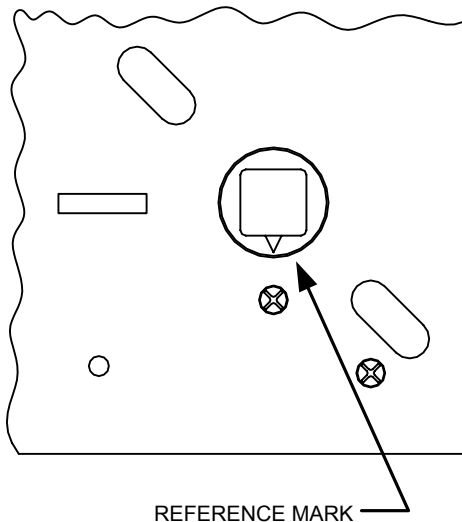


#### 2. Change hand of lock

For RH and RHRB, the catch screw will be on the lock case side. For LH and LHRB, the catch screw will be on the lock cover side.

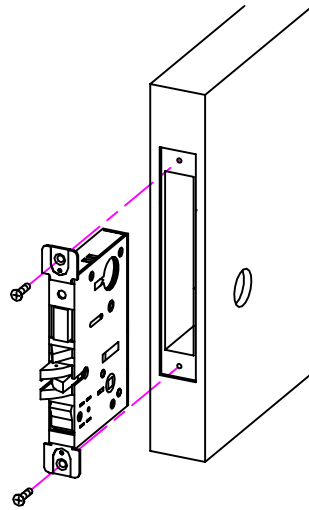


#### 3. Check for proper hub position. Locate the hub with the reference mark in the downward position as shown.



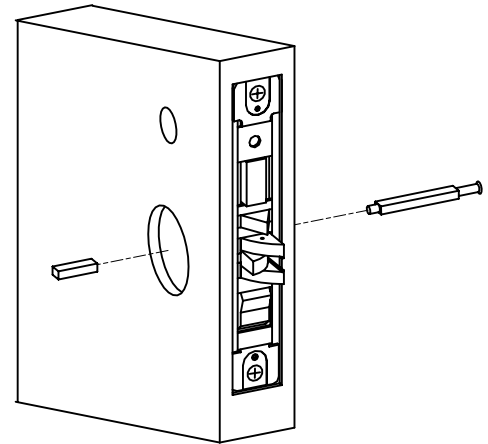
### C. Install Lockcase (Continued)

4. Connect wires as shown on the lock cover diagram.
5. Insert lockcase into mortise cut-out and fasten screws to door.



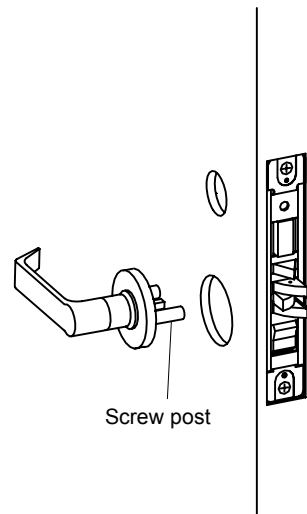
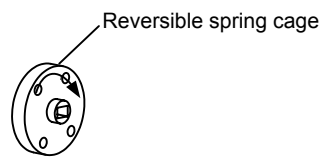
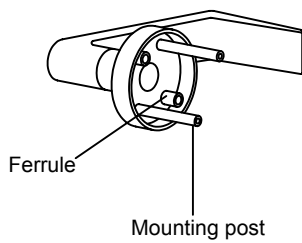
### D. Install Spindles

1. Insert spindle into outside hub of lock.
2. Insert inside spindle and tighten screw into outside spindle.



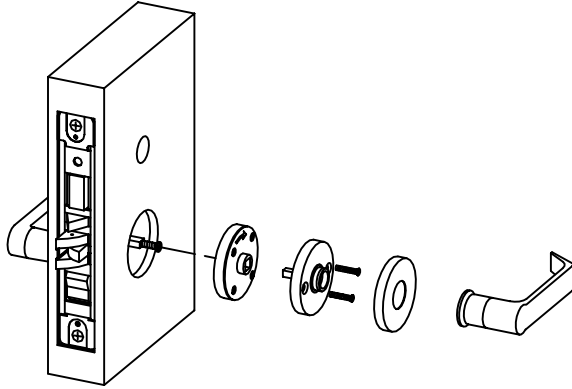
### E. Install Lever trim

1. Place the reversible spring cage onto the ferrules with arrow pointing in direction of lever rotation.
2. Install outside trim with mounting posts through door and position lever onto the spindle.

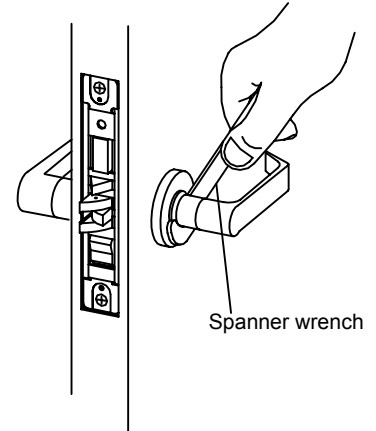


### E. Install Lever trim (Continued)

3. Install inside spring cage onto the spindle with the arrow pointing in the direction of inside lever rotation.
4. Install inside mounting plate onto spindle. Tighten with provided screw.
5. Cap inside rose over mounting plate.

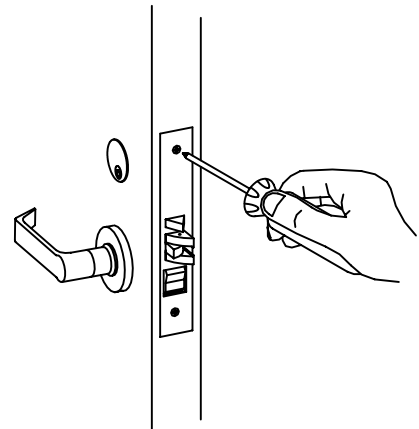
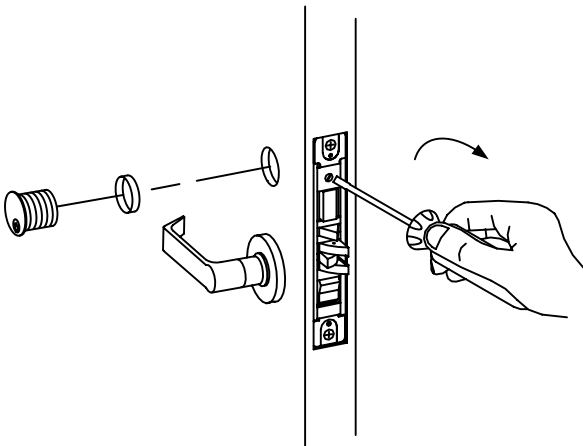


6. Screw inside lever into position and tighten lever collar with spanner wrench.



### F. Install Cylinder and Armor Face Plate

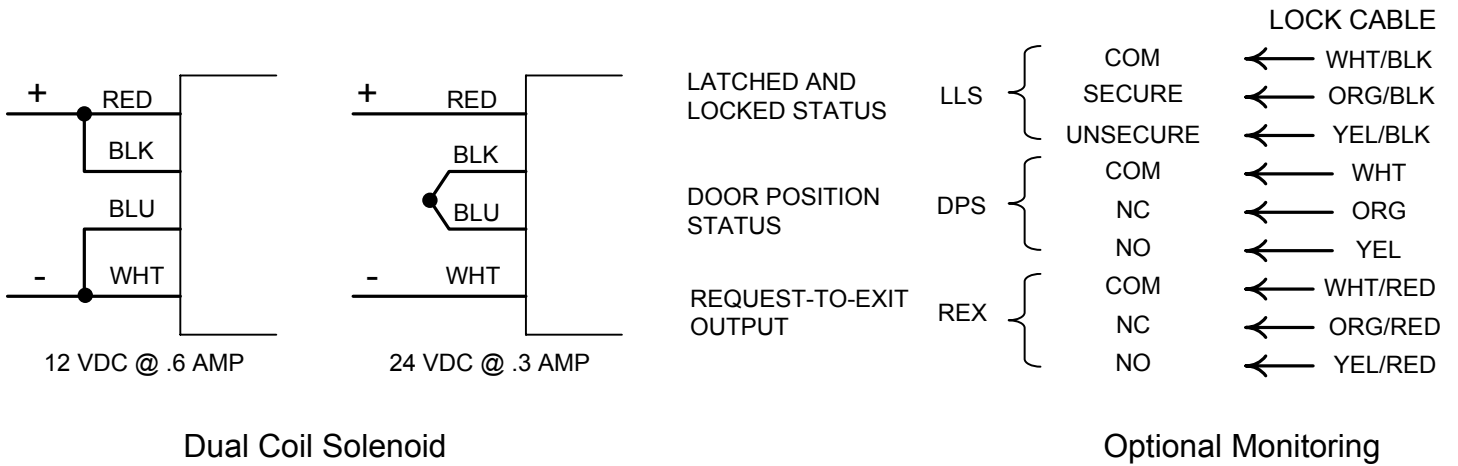
1. Screw cylinder into threaded hole of lock case.
2. Tighten the setting screw against cylinder(s) by turning clockwise as shown.
3. Install face plate onto lock case front and fasten with supplied screws.



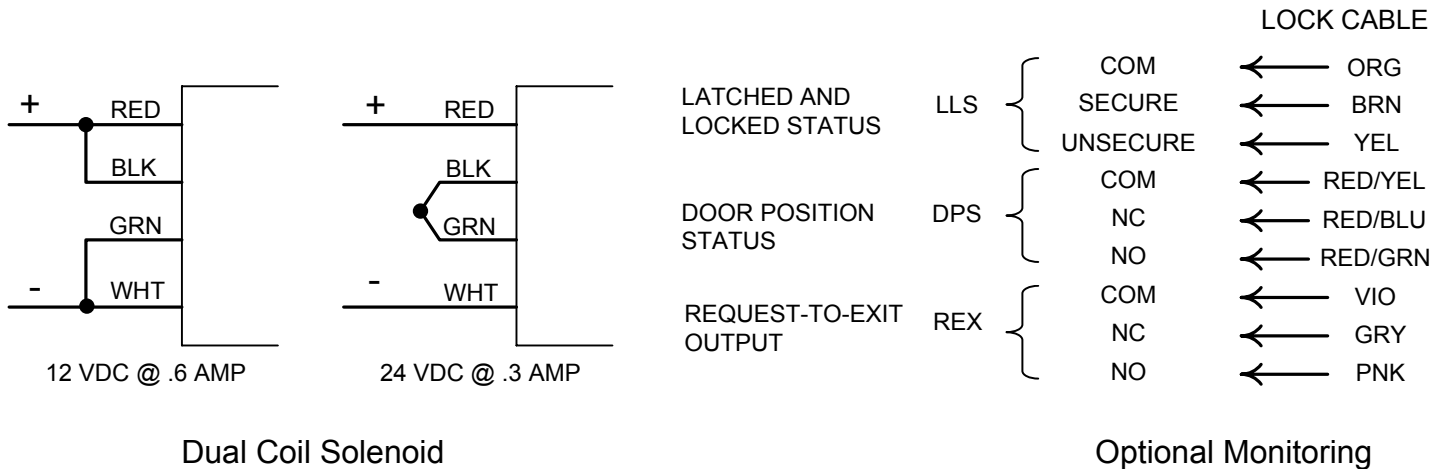
# INSTALLATION WIRE DIAGRAM

## Model 7800 Series 12/24VDC

### STANDARD WIRING



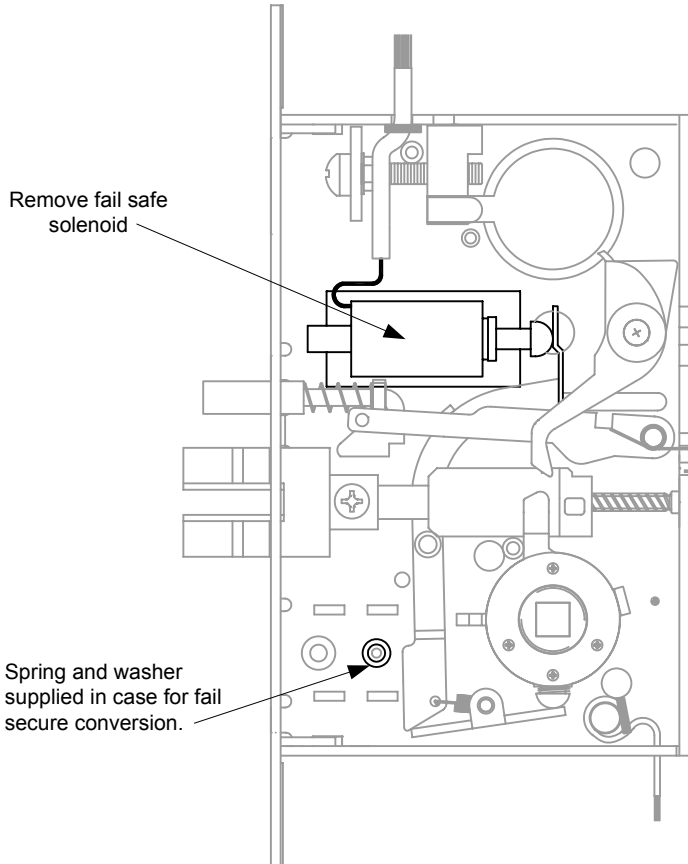
### WIRING WITH OPTIONAL CABLE AND CONNECTOR



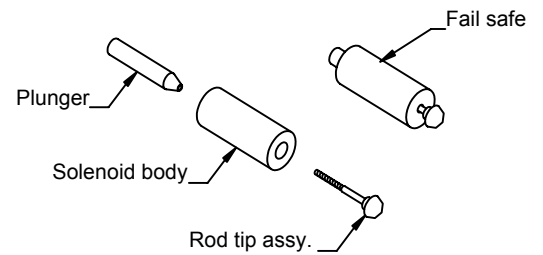
# FAIL SAFE/FAIL SECURE CONVERSION

## Procedure To Change SDC Fail Safe Solenoid To Fail Secure

### Fail Safe Assembly



Disassemble fail safe solenoid by unscrewing rod tip assembly from plunger.



### Fail Secure Assembly

Insert washer and spring onto rod tip assembly and screw into plunger until it bottoms out. Insert plunger/rod tip into solenoid.

