

**HYDRAULIC SWING GATE OPERATOR
FOR CONDOMINIUM / INDUSTRIAL
USE FOR LEAF LENGTHS UP TO 7 M /
23 FEET**

**NEW
DESIGN**

**FULL TANK
FULL TANK BRAKE
FULL TANK DOUBLE BRAKE
FULL TANK LARGE BRAKE
FULL TANK LARGE DOUBLE BRAKE**



**R
IDRO**

**On request versions with hydraulic
slowdown for a smooth approach
of the leaves in closing**

NEW



**New release system protected
by metal lock with release
key at the inside.**

- SEA Total Quality: all parts are manufactured and tested in-house
- The hydraulic system grants high and long term performances
- **Oil lubrication** of all mechanical components
- Anti crushing guaranteed through by-pass valves for max. thrust adjustment
- 10,63 inches or 15,35 inches stroke (FULL TANK LARGE)
- Standard, oscillating aluminium fork back fixing
- **Hydraulic distributor made from aluminium extrusion**
- Version with separate piston and hydraulic unit, available on request FULL TANK SP
- Electronic reversing sensor available (on request)
- Canceled positive stops
- 20 mm rod diameter
- Duty cycles : 70 per hour

MODEL	A	B	C
FULL TANK	40,35 in	38,58 in	10,63 in
FULL TANK BRAKE	41,73 in	39,37 in	10,63 in
FULL TANK DOUBLE BRAKE	50,00 in	47,83 in	15,35 in
FULL TANK LARGE BRAKE	51,37 in	48,82 in	15,35 in

ACCESSORIES



12715105-CSA
PS270 (FULL TANK 270)
Kit mechanical stop



12715110-CSA
PS390 (FULL TANK 390)
Kit mechanical stop



12715070
BRA
adjustable back bracket
to screw n.2 pcs



12715071
BRASS
Back/Front INOX
steel bracket kit



23105345
SAFETYGATE linear
encoder kit for AC
operators (side wall)



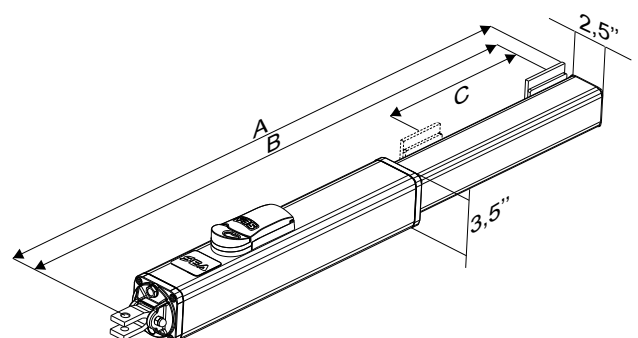
23105335
SAFETYGATE
Joint reversing sensor for
AC operators with columns



OIL
OIL green oil in
1 quart bottle



12710679
KEYDIN
cylinder with
variable coding



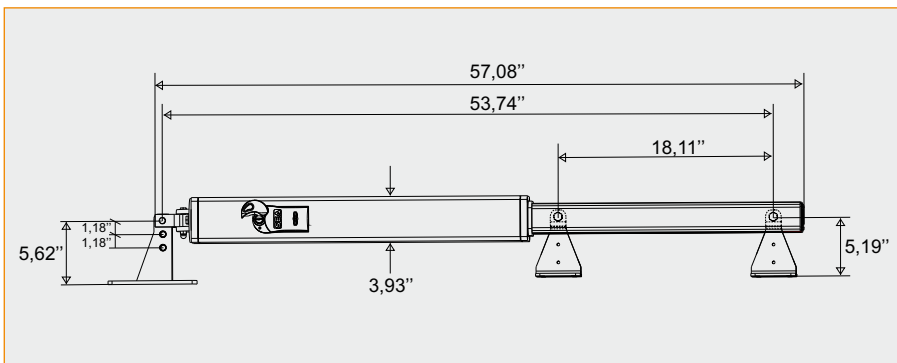
FULL TANK

FEATURES	FULL TANK	FULL TANK LARGE
Power supply	120V / 60Hz	120V / 60Hz
Power Consumption	300 W	300 W
Stroke	10,63 inches	15,35 inches
Operating temperature range	-4°F to 131°F*	-4°F to 131°F*
Opening time 90°	13-18 sec.	26 sec.
Cycles of use	70%	70%
Duty	commercial	commercial
Protection class	IP55	IP55
Max leaf length	20	23
Max leaf weight	2200	2200
Max opening angle	120°	120°
Maximum force output	640 daNm	640 daNm
Anti-crushing protection	by pass/electr.***	by pass/electr.***
Positive stops	optional	optional
Slow-down	electronic	hydraulic
Battery back-up	STAR 500	STAR 500

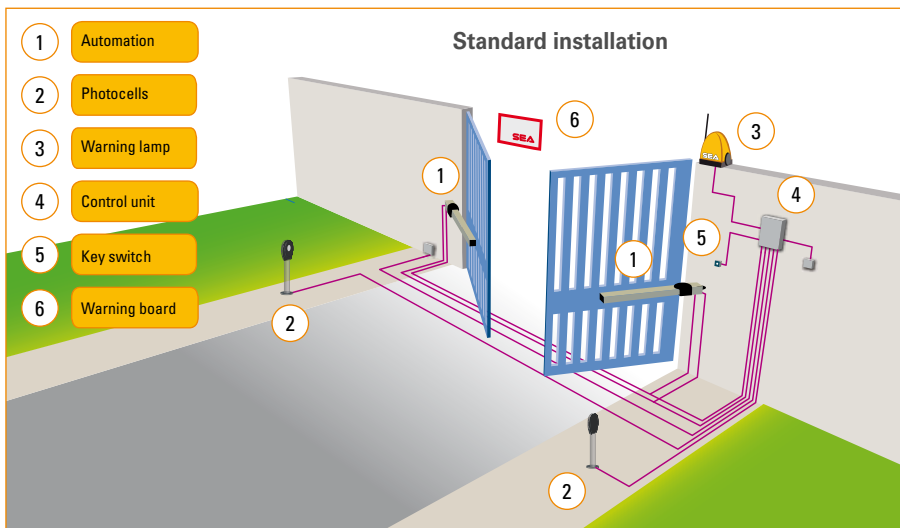


Round joint bearing for stroke adjustment

Speed Options Available (Time Needed To open a gate 90°)	Velocity of the traveling edge of an 8 ft (2,4 m) leaf (in feet/m and meters/m)	Longest leaf which can be used if the velocity of the traveling edge is not to exceed 40 fpm(12,2 mpm)
6 sec.	126 fpm (38 mpm)	2,5 ft (0,8m)
12 sec.	63 fpm (19 mpm)	5 ft. (1,5m)
15 sec.	50 fpm (15 mpm)	6 ft (1,9m)
17 sec.	44 fpm (14 mpm)	7,5 ft (2,3m)
23 sec.	33 fpm (10 mpm)	10 ft (3m)



Gate 2 DG DIGITAL CONTROL UNIT



- Management of two 115 Vac motors with or without limit switch
- Adjustable pedestrian opening
- Automatic logic (6 modes), half-automatic (6 modes), dead-man, open and close logic
- **Adjustable slowdown in opening and closing for each leaf and direction**
- **Adjustable motor torque for each leaf and direction**
- Working times self-learning
- Photocells self-test
- Self-diagnostics
- Settable photocells inputs
- Adjustable courtesy light output up to 4 minutes
- Electro-lock management
- Led warning lamp
- Extractable terminals
- Connector for RF radio receiver plug-in
- **Encoder/Amperometric sensitivity adjustment (for electromechanical operators)**
- **Programming through JOLLY 2 palm**
- Working time adjustable for each leaf and for opening and closing
- Leaf delay differentiated for opening and closing
- Number of performances for assistance
- PUSH-OVER function management with optional periodical push over
- 24V Aux output management
- **Safety edge management in opening and closing**
- Optional external module for traffic light management

...and many other functions



SEA USA Inc.
10850 N.W.21st unit 160 33172 • Miami • Florida (USA)
Phone ++1-305.594.1151 • Fax ++1-305.594.7325
sales@sea-usa.com - www.sea-usa.com