



PRODUCT FEATURES

- 4,000 lbs holding power
- Mounting plate for easy, accurate installation
- Automatic dual-voltage (12/24V)
- Accepts AC or DC current
- Fail safe
- Ideal for mental health care and auxiliary detention facilities and other high-risk locations
- MagnaCare® lifetime replacement, no fault warranty

PRODUCT OPTIONS

- (D) Integrated door position switch (DPS)
- (T) Anti-tamper switch
- (G) 1/2" conduit ready

SPECIFICATIONS

- UL 10C Fire Rated, 1 hour
- CAN/ULC-5533 Listed
- Patent: 6,902,214

Holding Force:
4,000 lbs [1814 kg]

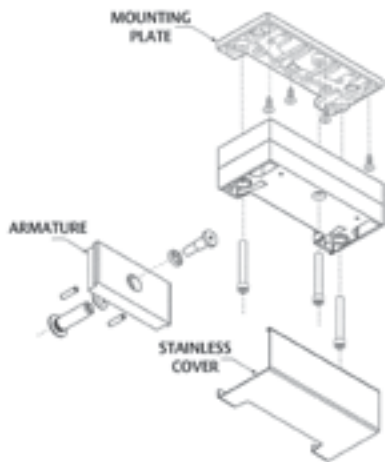
Dimensions:
6" L x 1-7/8" D x 2-3/4" H

Electrical:
AC Current: 130 mA at 12 VAC;
250 mA at 24 VAC
DC Current: 100 mA at 12 VDC;
200 mA at 24 VDC

Operating Temperature:
-40 to +140F [-40 to +60C]
Indoor use only

Shipping Weight:
6 lbs [2.72kg]

Finishes:
US26D/626 - Brushed Stainless



MM15 MEMLOCK™

Unique Hybrid Design, Two Tons of Holding Power

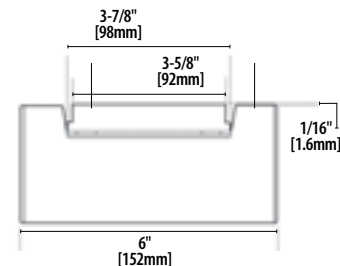
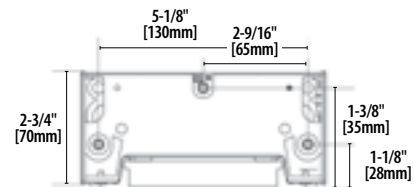
The hybrid design of this magnetic electromechanical lock includes two springloaded, hardened steel jaws that deliver up to 4,000 lbs of ultimate holding power. In a forced-entry assault, the jaws of the MM15 MEMLOCK clamp down on the armature plate and hold firm, for an unmatched level of access control.

» MODELS

PART # | Description

MM15	Electromechanical Maglock - 4,000 lbs
MM15DT	Electromechanical Maglock - 4,000 lbs, DPS, Tamper
MM15G	Electromechanical Maglock - 4,000 lbs, Conduit
MM15GDT	Electromechanical Maglock - 4,000 lbs, Conduit, DPS, Tamper

For dress covers and flexible mounting brackets see page 33.



DUAL VOLTAGE



GRADE 1



FIRE RATED

SECURITRON™
ASSA ABLOY





SFP » STOP FILLER PLATE

- MagnaCare® lifetime replacement, no fault warranty

» MODELS

PART # | Description

SFP-1/2BKMM15	SFP - 1/2" for MM15, Black Finish
SFP-1/2CLMM15	SFP - 1/2" for MM15, Clear Finish
SFP-3/8BKMM15	SFP - 3/8" for MM15, Black Finish
SFP-3/8CLMM15	SFP - 3/8" for MM15, Clear Finish
SFP-5/8BKMM15	SFP - 5/8" for MM15, Black Finish
SFP-5/8CLMM15	SFP - 5/8" for MM15, Clear Finish



DC-MM15 » DRESS COVER

- Available in Black, Polished Brass or Satin Brass finish
- MagnaCare® lifetime replacement, no fault warranty

» MODELS

PART # | Description

DC-MM15BK	DC - MM15, Black
DC-MM15BP	DC - MM15, Polished Brass
DC-MM15BS	DC - MM15, Satin Brass



HEB-MM15 » HEADER EXTENSION BRACKET

- MagnaCare® lifetime replacement, no fault warranty

» MODELS

PART # | Description

HEB-1BK-MM15	HEB - 1" for MM15 Series, Black Finish
HEB-1CL-MM15	HEB - 1" for MM15 Series #130, Clear Finish
HEB-2BK-MM15	HEB - 2" for MM15 Series, Black Finish
HEB-2CL-MM15	HEB - 2" for MM15 Series #130, Clear Finish
HEB-3BK-MM15	HEB - 3" for MM15 Series, Black Finish
HEB-3CL-MM15	HEB - 3" for MM15 Series #130, Clear Finish



ACCESSORIES

for MM15 MEMLOCK™



TS » TAMPER SHIELD

Protect Your Locks with Tamper Shield

The TS Tamper Shield completely encases the lock face, providing an added layer of protection against attempts to compromise or vandalize the magnetic locking mechanism.

- MagnaCare® lifetime replacement, no fault warranty

» MODELS

PART # | Description

MM15-TS	Tamper Shield for MM15 - Stainless Steel
---------	--



Z-MM15 » Z BRACKET KIT

- MagnaCare® lifetime replacement, no fault warranty

» MODELS

PART # | Description

Z-MM15BK	Z-Bracket - MM15, Black
Z-MM15CL	Z-Bracket - MM15, Clear

