



Quick Start Guide

2MP IP Camera

O2VLB7 / O2VLB8 / O2VLD7 / O2VLD7J / O2VLD8

Welcome

Thank you for purchasing this Network camera!

This manual is designed to be a reference tool for your system.

Please read this manual carefully before operating the unit and retain it for future reference.

Should you require any technical assistance, please contact Speco Technologies Technical Support.

Important Safeguards and Warnings

1 . Electrical safety

All installation and operation here should conform to local electrical safety codes.

Use a certified/listed 12VDC Class 2 power supply only.

Please note: Do not connect two power supplying sources to the device at the same time; it may result in device damage! The product must be grounded to reduce the risk of electric shock.

Improper handling and/or installation could run the risk of fire or electrical shock.

2 . Environment

Heavy stress, violent vibration or exposure to water is not allowed during transportation, storage and installation.

This product should be installed in a cool, dry place away from direct sunlight and heat sources.

Do not install the product in extreme temperature conditions.

Do not expose the camera to electromagnetic radiation. Otherwise it may result in CMOS sensor failure.

Do not block any ventilation openings.

Do not allow water and liquid intrusion into the camera.

3. Operation and Daily Maintenance

Please shut down the device and then unplug the power cable before you begin any maintenance work.

Do not touch the CMOS sensor optic component. You can use a blower to clean the dust on the lens surface.

Always use the dry soft cloth to clean the device. If there is too much dust, use a cloth dampened with a small quantity of neutral detergent. Finally use the dry cloth to clean the device.

Please use a professional optical cleaning method to clean the enclosure. Improper enclosure cleaning (such as using cloth) may result in poor IR functionality and/or IR reflection.

The grounding holes of the product are recommended to be grounded to further enhance the reliability of the camera.

Dome cover is an optical device, please don't touch or wipe cover surface directly during installation and use, please refer to the following methods if dirt is found:

Stained with dirt

Use oil-free soft brush or hair dryer to remove it gently.

Stained with grease or fingerprint

Use oil-free cotton cloth or paper soaked with alcohol or detergent to wipe from the lens center outward. Change the cloth and wipe several times if it is not clean enough.

Warning

This camera should be installed by qualified personnel only.

All the examination and repair work should be done by qualified personnel.

Any unauthorized changes or modifications could void the warranty.

Statement

This guide is for reference only.

Product, manuals and specifications may be modified without prior notice. Speco Technologies reserves the right to modify these without notice and without incurring any obligation.

Speco Technologies is not liable for any loss caused by improper operation.

Note:

Before installation, check the package and make sure that all components are included.

Contact your rep or Speco customer service department immediately if something is broken or missing in the package.

Accessory Name	Amount
Network Camera Unit	1
Quick Start Guide	1
Installation Accessories Bag	1
CD	1

Table of Contents

1	Device Installation	1
1.1	Installation	1
2	IP Scanner – Web Login.....	4
2.1	Overview	4
2.2	Operation	4
3	Web Operation.....	5
3.1	Login and Main Interface	5

1 Device Installation

1.1 Installation

Note:

- Before installation, please make sure the installation surface can support a minimum of 3 times the weight of the camera

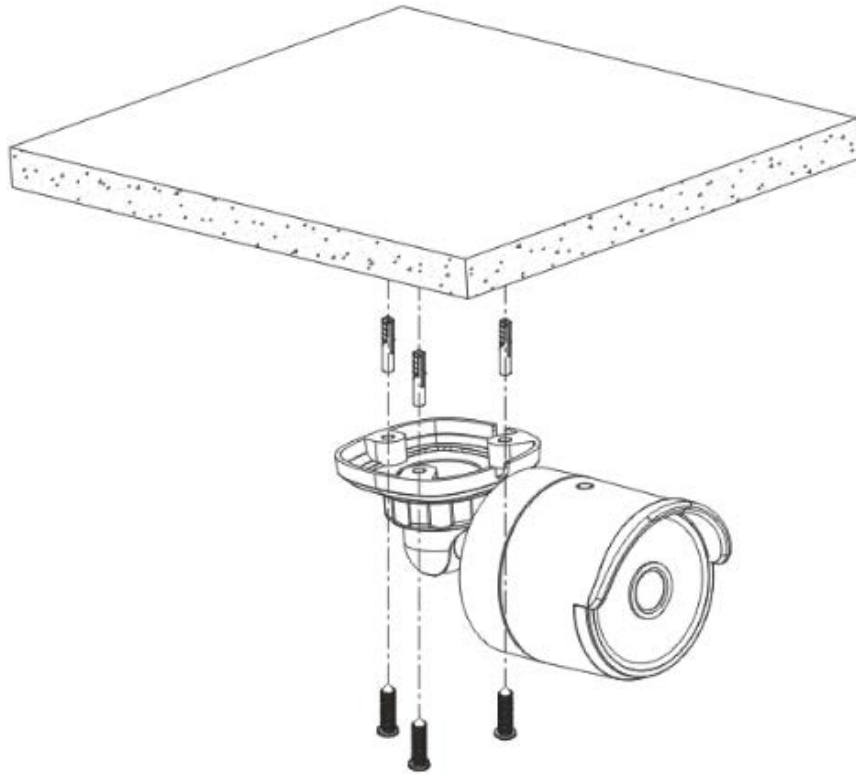


Figure 1-1 Bullet Camera

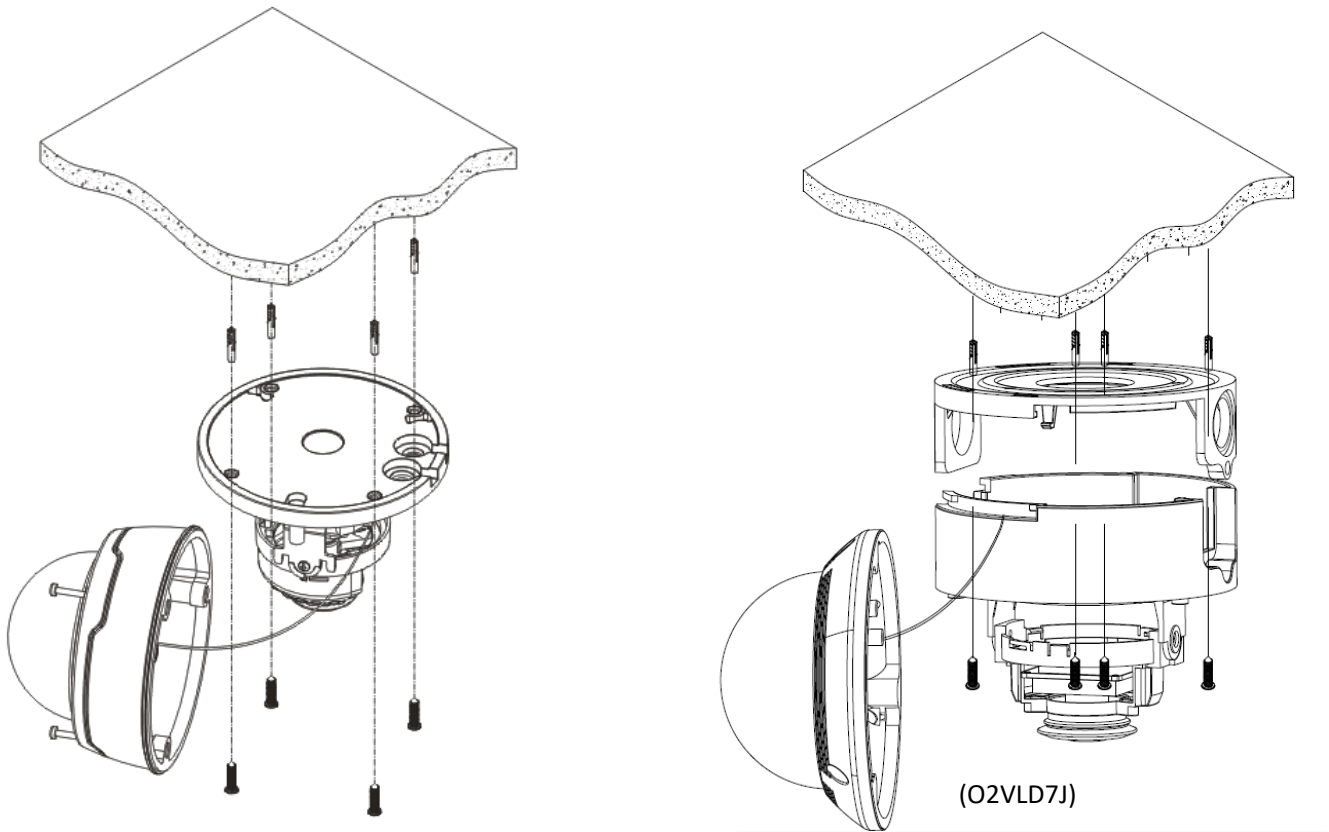


Figure 1-2 Dome Camera

1. Put the installation template on the designated surface where the device will be installed (wall or ceiling).
2. Drill holes according to position of the holes on the installation template and then insert the expansion bolts in the holes. Secure these three bolts firmly.
3. Drill a hole in the middle to pull the cable out of the wall for termination.
4. Align and angle the device to the desired position. For dome cameras, remove the dome cover first using the wrench that's included. Line up the three screw holes on the device base to the three plastic expansion bolt holes in the installation position. Put the three self-tapping screws in the three plastic expansion bolts firmly. Fix the camera body on the installation surface.

(Optional) Waterproof connector installation for network port; see Figure 1-3 for more details.

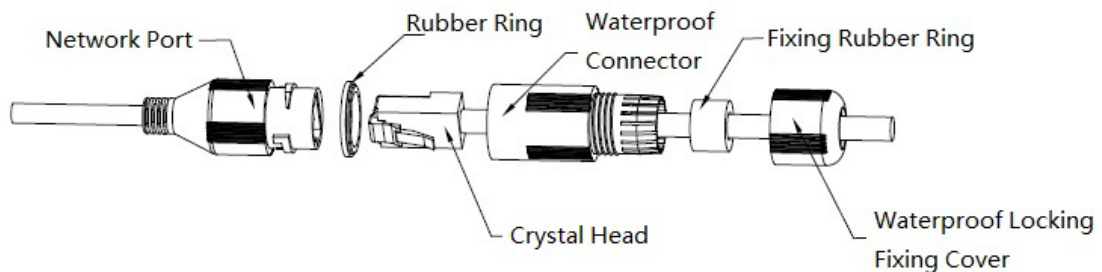


Figure 1-3

1. Keep the convex groove outward and install the rubber ring into the network port, keep the smaller hole of the rubber ring outward and install the fixing rubber ring into the main body of the waterproof connector.
2. Pull the network cable without the connector through the main body of the waterproof connector. Fix the rubber ring and waterproof locking cover, crimp the network cable, and then insert it into the network port.

3. Put the main body of waterproof connector on the network port and rotate it clockwise to lock the network port and waterproof connector firmly.
4. Put the waterproof locking cover on the main body of waterproof connector and rotate it clockwise to lock the waterproof connector and waterproof locking cover firmly.

2 IP Scanner – Web Login

2.1 Overview

IP Scanner can search for the device on the local network.

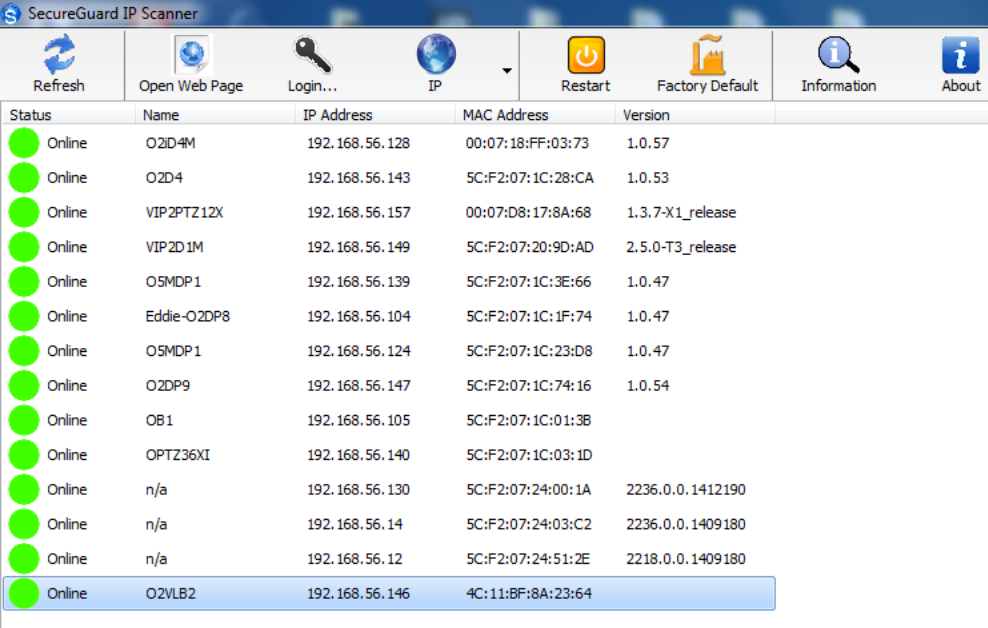
Please note that only devices that are on the same subnet can be discovered.

2.2 Operation

Open up IP Scanner.

Figure 2-1

In the device list, you can view the IP address, model number, and MAC address of each device. Select the applicable device and double click to open up the web viewer.



Status	Name	IP Address	MAC Address	Version
Online	O2D4M	192.168.56.128	00:07:18:FF:03:73	1.0.57
Online	O2D4	192.168.56.143	5C:F2:07:1C:28:CA	1.0.53
Online	VIP2PTZ12X	192.168.56.157	00:07:D8:17:8A:68	1.3.7-X1_release
Online	VIP2D1M	192.168.56.149	5C:F2:07:20:9D:AD	2.5.0-T3_release
Online	O5MDP1	192.168.56.139	5C:F2:07:1C:3E:66	1.0.47
Online	Eddie-O2DP8	192.168.56.104	5C:F2:07:1C:1F:74	1.0.47
Online	O5MDP1	192.168.56.124	5C:F2:07:1C:23:D8	1.0.47
Online	O2DP9	192.168.56.147	5C:F2:07:1C:74:16	1.0.54
Online	OB1	192.168.56.105	5C:F2:07:1C:01:3B	
Online	OPTZ36XI	192.168.56.140	5C:F2:07:1C:03:1D	
Online	n/a	192.168.56.130	5C:F2:07:24:00:1A	2236.0.0.1412190
Online	n/a	192.168.56.14	5C:F2:07:24:03:C2	2236.0.0.1409180
Online	n/a	192.168.56.12	5C:F2:07:24:51:2E	2218.0.0.1409180
Online	O2VLB2	192.168.56.146	4C:11:BF:8A:23:64	

Figure 2-1 IP Scanner

3 Web Operation

This device supports viewing and management via a web browser on a PC.

3.1 Login and Main Interface

Open the browser and input network camera address in the address bar or double click the device in IP Scanner. See Figure 3-1.

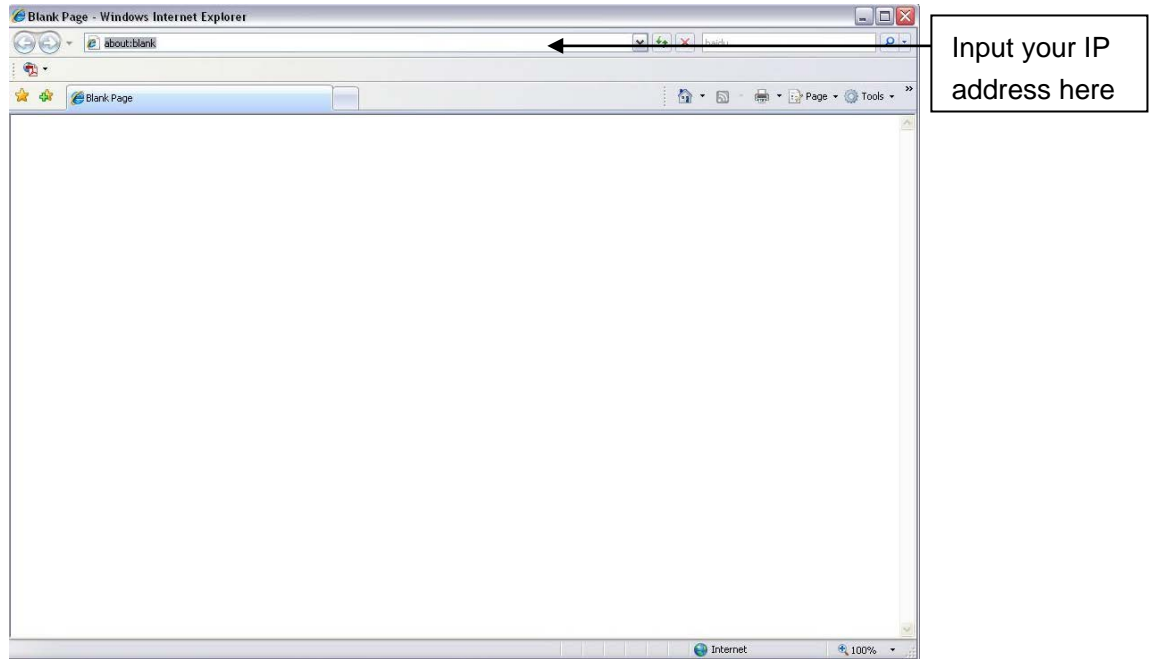


Figure 3-1 IP address

The login interface is shown as below. See Figure 3-2.

Please input your user name and password.

Default user name is **admin** and password is **1234**.

Note: For security purposes, please change the password after initial login.

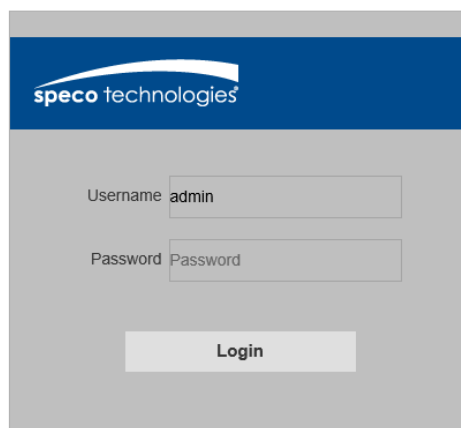


Figure 3-2 Web login

Follow directions to install applicable plug-ins.