

# INSTRUCTION MANUAL



## LIMITED WARRANTY - VIDEO PRODUCTS

THIS WARRANTY IS VALID ONLY ON PRODUCTS PURCHASED AND USED IN THE UNITED STATES OF AMERICA AND CANADA. THIS WARRANTY APPLIES ONLY TO THE ORIGINAL USER.

SUBJECT TO CONDITIONS AND EXCLUSIONS FOUND BELOW, THIS PRODUCT IS WARRANTED AGAINST MANUFACTURING DEFECTS IN MATERIAL AND WORKMANSHIP FOR THE FOLLOWING PERIOD FOR PARTS AND LABOR:

SPECO TECHNOLOGIES CAMERAS..... 5 YEARS	DVRS..... 5 YEARS
SPECO TECHNOLOGIES IP CAMERAS..... 5 YEARS	NVRS..... 5 YEARS
SPECO PTZ AND VL CAMERAS..... 1 YEAR	BALANCE OF
SPECO TECHNOLOGIES MONITORS..... 1 YEAR	SPECO TECHNOLOGIES LINE..... 1 YEAR
IR LEDS..... 90 DAYS	

SPECO TECHNOLOGIES WILL REPAIR OR REPLACE (AT OUR DISCRETION) ANY PARTS FOUND TO BE DEFECTIVE FOR THE WARRANTY PERIOD SPECIFIED. WE WILL PROVIDE A REPLACEMENT FOR ANY DEFECTIVE PART.

### CONDITIONS

1. YOU MUST OBTAIN A RETURN AUTHORIZATION (RA) NUMBER FOR ANY MERCHANDISE BEING RETURNED TO SPECO TECHNOLOGIES, WHETHER FOR RETURN/EXCHANGE OR REPAIR, WHETHER IN OR OUT OF WARRANTY.
2. THIS WARRANTY WILL BE HONORED ONLY UPON PRESENTATION OF THE ORIGINAL DATED BILL OF SALE OR SALES SLIP.
3. TRANSPORTATION OF THE PRODUCT TO OUR SERVICE DEPARTMENT IS THE RESPONSIBILITY OF THE USER. REPAIRED OR REPLACED PRODUCT WILL BE RETURNED PREPAID DURING THE WARRANTY PERIOD.
4. SPECO TECHNOLOGIES DOES NOT AUTHORIZE ANY INTERNET OR MAIL ORDER PRODUCT SALES. IF A SPECO TECHNOLOGIES PRODUCT IS PURCHASED FROM AN UNAUTHORIZED DISTRIBUTOR OR OTHER SOURCE, INCLUDING RETAILERS, MAIL ORDER SELLERS AND ONLINE SELLERS, IT WILL NOT BE HONORED OR SERVICED UNDER THE EXISTING SPECO TECHNOLOGIES WARRANTY POLICY. ANY SPECO TECHNOLOGIES PRODUCT PURCHASED FROM THESE ONLINE MERCHANTS WILL VOID THE APPLICABLE WARRANTY AND IS INELIGIBLE FOR TECHNICAL SUPPORT. IF YOU HAVE QUESTIONS ABOUT A RESELLER, PLEASE CONTACT SPECO TECHNOLOGIES AT 1-800-645-5516 FOR A LIST OF UNAUTHORIZED DEALERS, VISIT: [www.specotech.com/unauthorized](http://www.specotech.com/unauthorized).

### EXCLUSIONS

1. THIS WARRANTY SHALL NOT COVER ADJUSTMENT OF CUSTOMER OPERATED CONTROLS AS EXPLAINED IN THE APPROPRIATE Model 's INSTRUCTION MANUAL OR PRODUCTS WHICH HAVE BEEN ALTERED, ABUSED, OR HAVE MISSING OR ALTERED SERIAL NUMBERS.
  2. THIS WARRANTY SHALL NOT APPLY TO UNCRATING, SETUP, INSTALLATION, OR THE REMOVAL AND REINSTALLATION OF PRODUCTS AFTER REPAIR.
  3. THIS WARRANTY SHALL NOT APPLY TO REPAIRS OR REPLACEMENTS NECESSITATED BY ANY CAUSE BEYOND THE RESULT OF MANUFACTURE INCLUDING, BUT NOT LIMITED TO, ANY MALFUNCTION, DEFECTS OR FAILURE CAUSED BY OR RESULTING FROM UNAUTHORIZED SERVICE OR PARTS, IMPROPER MAINTENANCE, MODIFICATION OR REPAIR BY THE USER, ABUSE, MISUSE, NEGLIGENCE, ACCIDENT, FIRE, FLOOD, OR OTHER ACTS OF NATURE, INCORRECT LINE VOLTAGE, DAMAGE OR IMAGE BURNS TO TELEVISION PICTURE TUBES CAUSED BY OR ATTRIBUTABLE TO THE USE OF ANY ACCESSORY, ELECTRONICS GAME OR DEVICE, OR DAMAGE CAUSED TO IMAGE PICKUP DEVICES BY EXCESSIVE LIGHT.
- THE FOREGOING IS IN LIEU OF ALL OTHER EXPRESSED WARRANTIES AND WE DO NOT AUTHORIZE ANY PARTY TO ASSUME FOR US ANY OTHER OBLIGATION OR LIABILITY. IN NO EVENT SHALL WE BE LIABLE FOR INCIDENTAL OR CONSEQUENTIAL DAMAGES ARISING FROM THE USE OF THIS PRODUCT, OR FOR ANY DELAY IN THE USE OF THIS PRODUCT DUE TO CAUSES BEYOND OUR CONTROL. SOME STATES DO NOT ALLOW LIMITATIONS OF HOW LONG AN IMPLIED WARRANTY LASTS AND/OR DO NOT ALLOW THE EXCLUSION OR LIMITATION OF CONSEQUENTIAL DAMAGES. THE ABOVE LIMITATIONS ON IMPLIED WARRANTY AND CONSEQUENTIAL DAMAGES MAY NOT APPLY TO YOU.
- THIS WARRANTY GIVES YOU SPECIFIC LEGAL RIGHTS. YOU MAY HAVE OTHER RIGHTS WHICH VARY FROM STATE TO STATE.
- NOTE: FOR YOUR PROTECTION IN THE EVENT OF THEFT OR LOSS OF THIS PRODUCT, PLEASE FILL IN THE INFORMATION REQUESTED BELOW AND RETAIN WITH YOUR SALES RECEIPT.**

MODEL NO.: \_\_\_\_\_ SERIAL NO.: \_\_\_\_\_  
 (LOCATED ON BACK OR BOTTOM OF UNIT)

DATE OF PURCHASE: \_\_\_\_\_

WHERE PURCHASED: \_\_\_\_\_ PURCHASE PRICE: \_\_\_\_\_

Speco Technologies 200 New Highway Amityville, NY 11701 <a href="http://www.specotech.com">www.specotech.com</a>	<b>FOR MORE INFORMATION REGARDING SERVICE OR RETURN,                  CALL US TOLL FREE: 1-800-645-5516 IN METRO NY: 631-457-8700</b>
---	---

ALWAYS USE DISCRETION WHEN INSTALLING VIDEO AND/OR AUDIO SURVEILLANCE EQUIPMENT ESPECIALLY WHEN THERE IS AN EXPECTATION OF PRIVACY. INQUIRE REGARDING FEDERAL, STATE AND/OR LOCAL REGULATIONS APPLICABLE TO THE LAWFUL INSTALLATION OF VIDEO AND/OR AUDIO RECORDING OR SURVEILLANCE EQUIPMENT, PARTY CONSENT MAY BE REQUIRED.

12/09 8122

## 4MP TVI IR Series

VL4DG  
(Dome Camera)  
VL4BG  
(Bullet Camera)



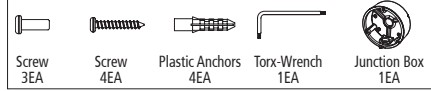
Speco Technologies is constantly developing product improvements. We reserve the right to modify product design and specifications without notice and without incurring any obligation.

## Features

- 4Mega Pixel
- HD-ANALOG (TVI, AHD, CVI)
- D-WDR
- 2.8mm Fixed Lens
- 6 High Power IR LED / 66ft
- DC12V

## Package

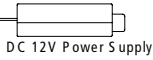
### ● VLT4DG



### ● VLT4BG



## Cable Connection

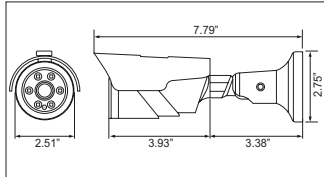
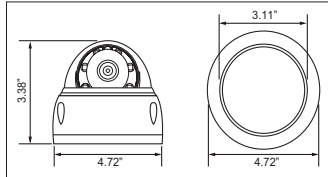


1. WHEN USING 12 VOLTS DC  
(constant voltage 500mA)

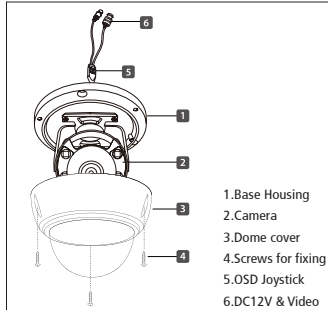


2. CONNECT VIDEO CABLE  
WHEN USING IT AS VIDEO OUTPUT,  
CONNECT BNC CABLE TO THE BNC JACK.

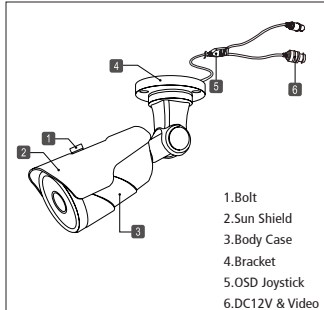
## Dimension



## Install



- 1.Base Housing
- 2.Camera
- 3.Dome cover
- 4.Screws for fixing
- 5.OSD Joystick
- 6.DC12V & Video



- 1.Bolt
- 2.Sun Shield
- 3.Body Case
- 4.Bracket
- 5.OSD Joystick
- 6.DC12V & Video

## Specifications

Video	
Image Sensor	1/2.7" 4Mega Pixel C-Mos Sensor
Resolution	2,688 x 1,520 (4MP)
Scanning System	Progressive Scan
Total Pixels	2,720 (H) x 1,536 (V)
Video Output	HD-ANALOG (TVI, AHD, CVI)
TV System	NTSC / PAL
Min. Illumination	Color 1 Lux, BW 0.5 Lux
S/N Ratio	52dB (AGC off)
Frame Rate	15fps
Operational	
DAY & NIGHT	IR Cut Filter // Auto, Color, B/W, EXT
Brightness	1 ~ 20
Shutter	-
Sens UP	-
AGC(Gain Control)	0 ~ 20
WDR	D-WDR / ON / OFF
AWB	ATW / MWB
DNR	2D-DNR (1-16)
Color Gain	1-16
Mirror	DEFAULT / H / V / HV
FLIP	-
Language	MULTI LANGUAGE
Defog	-
Motion	-
Privacy	-
IR Distance	6 High Power IR LED / 66ft
Remote Control interface	LTC
Lens	
Focal Length	2.8mm
Max. Aperture Ratio	F=2.0
Focal Control	Manual
Lens Type	Fixed
Environmental	
Operation Temperature	-14 F ~ 122 F
Ingress Protection	IP 66
Electrical	
Input Voltage // Current	12V DC +10%
Power Consumption	Max. 5W
Weight	
Weight	0.7 lbs

## OSD Menu

You may select the OSD menu items to adjust by using OSD buttons for your desire. To use OSD menu, press SET button and SET UP will appear as shown on the screen.

### OSD Menu

AE	↔
AWB	↔
DAY-NIGHT	↔
IMAGE ENHANCE	↔
VIDEO OUTPUT	↔
LANGUAGE	↔ *ENGLISH*
RESET	↔
SAVE-EXIT	↔
EXIT	↔

Move the arrow to select functions by use UP/DOWN & LEFT/RIGHT buttons.

### AE

AE	↔
AWB	↔
DAY-NIGHT	↔
IMAGE ENHANCE	↔
VIDEO OUTPUT	↔
LANGUAGE	↔ *ENGLISH*
RESET	↔
SAVE-EXIT	↔
EXIT	↔

### AE / BRIGHTNESS

BRIGHTNESS	↔ *14*
EXPOSURE	↔ *BLC*
LEVEL	↔
RETURN	↔

### AE / BRIGHTNESS / BLC

BRIGHTNESS	↔ *14*
EXPOSURE	↔ *BLC*
LEVEL	↔
RETURN	↔

### AE / BRIGHTNESS / GLOBE

BRIGHTNESS	↔ *14*
EXPOSURE	↔ *GLOBE*
LEVEL	↔
RETURN	↔

EXPOSURE 1~9

### AWB

AE	↔
AWB	↔
DAY-NIGHT	↔
IMAGE ENHANCE	↔
VIDEO OUTPUT	↔
LANGUAGE	↔ *ENGLISH*
RESET	↔
SAVE-EXIT	↔
EXIT	↔

### AWB / MODE

MODE	↔ *MWB*
BGAIN	↔ *40*
BGAIN	↔ *30*
RETURN	↔

MODE MWB/ATW

### DAY-NIGHT

AE	↔
AWB	↔
DAY-NIGHT	↔
IMAGE ENHANCE	↔
VIDEO OUTPUT	↔
LANGUAGE	↔ *ENGLISH*
RESET	↔
SAVE-EXIT	↔
EXIT	↔

### AWB / MODE

MODE	↔ *EXT*
MODE	↔
RETURN	↔

MODE AUTO/COLOR/BW

### IMAGE ENHANCE

AE	↔
AWB	↔
DAY-NIGHT	↔
IMAGE ENHANCE	↔
VIDEO OUTPUT	↔
LANGUAGE	↔ *ENGLISH*
RESET	↔
SAVE-EXIT	↔
EXIT	↔

### IMAGE ENHANCE

CONTRAST	↔ *10*
SHARPNESS	↔ *5*
COLOR GAIN	↔ *5*
DNR	↔ *3*
MIRROR	↔ *DEFAULT*
D-WDR	↔ *ON*
RETURN	↔

MODE AUTO/COLOR/BW

### VIDEO OUTPUT

AE	↔
AWB	↔
DAY-NIGHT	↔
IMAGE ENHANCE	↔
VIDEO OUTPUT	↔
LANGUAGE	↔ *ENGLISH*
RESET	↔
SAVE-EXIT	↔
EXIT	↔

### VIDEO OUTPUT / TVI & AHD / CVI & CVBS

HD	↔ *TVI*
VIDEO STANDARD	↔ *4MP 3D*
REBOOT & APPLY	↔
RETURN	↔

HD TVI/AHD/CVI  
VIDEO STANDARD 4MP 25/4MP 15/  
1080P 25/  
1080P 30

### VIDEO OUTPUT / CVBS

HD	↔ *CVBS*
VIDEO STANDARD	↔ *NTSC*
REBOOT & APPLY	↔
RETURN	↔

VIDEO STANDARD NTSC/PAL

### LANGUAGE

AE	↔
AWB	↔
DAY-NIGHT	↔
IMAGE ENHANCE	↔
VIDEO OUTPUT	↔
LANGUAGE	↔ *ENGLISH*
RESET	↔
SAVE-EXIT	↔
EXIT	↔

LANGUAGE ENG/HI

RESET  
SAVE-EXIT  
EXIT