

## ***Plug-in Silicon Surge Protection***

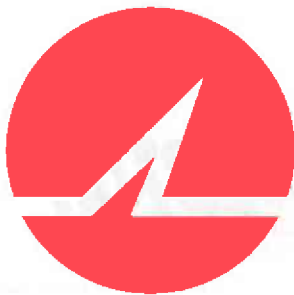
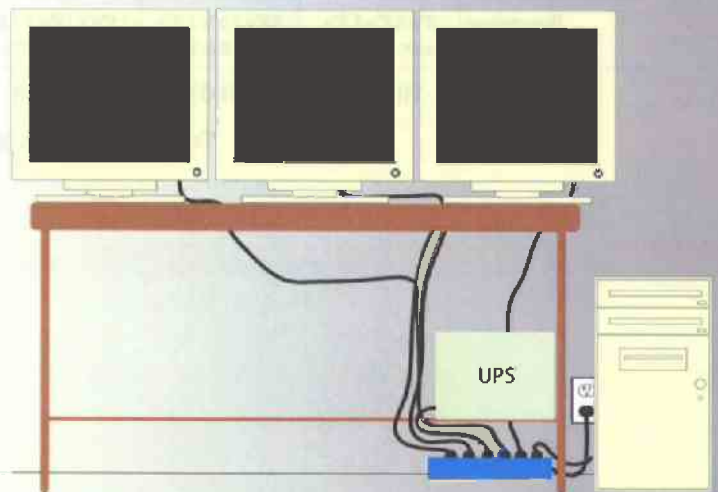
Today's technology involves sensitive electronic equipment which you depend upon for systems reliability. Your valuable electronic systems will experience unpredictable and potentially destructive power quality conditions such as lightning and transients which cost your business maintenance time, equipment replacement and customer dissatisfaction. Transtector's SL Series feature our proprietary silicon avalanche suppressor diode (SASD) technology for effective safeguarding and maximized performance of your systems. Your success demands a superior protection solution provided by Transtector Systems.



# TRANSTECTOR

## ***Applications***

- Workstations
- Digital Imaging Systems
- Servers
- Data Racks
- Routers
- Data Archiving Systems
- Patient Monitoring
- Security DVRS



smiths

## ***SL Series***

***Plug-in Silicon Surge Protection for 120VAC Applications  
Ranging from Single to 6 Outlets***

**MASTER DOCUMENT**

Do not remove if  
stamp mark is blue

# SL Series

## Features

- Direct wall plug-in and cord attach options
- Integral telco RJ11 fax machine protection (SLN-FX only)
- TVSS status indication
- N models incorporate fuse disconnect to load if suppressor self sacrifices

## Configurations





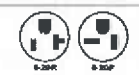

<b>Voltage Levels*</b>	300V
<b>Current Ratings**</b>	>700A
<b>IEEE Location Category &amp; Exposure Rating**</b>	A3
<b>Operating Temperature</b>	-30° C to +65° C
<b>Response Time (Max.)</b>	<5 Nanoseconds

### Warranty

Five (5) year unconditional warranty  
 Ten (10) year manufacturer warranty

\* Voltage protection level determined at 6kV 500A.  
 \*\* Waveform, location category and exposure rating per IEEE/ANSI C62.41-1991.

## Configurations

SL Model	SL	SL-20A	SL-V	SLN	SLN-20A	SLN-FX
<b>Nominal Service Voltages</b>	120VAC	120VAC	120VAC	120VAC	120VAC	120VAC 275V RJ-11
<b>Receptacle Type</b>	 Non-Fused	 Non-Fused	 Non-Fused	 *Fused	 *Fused	 *Fused
<b>Number of Outlets</b>	1	1	6	1	1	1
<b>Other Features</b>			Metal Enclosure			RJ11(4 Wire-Protected)
<b>Dimensions</b>	3"H X 3"W X 2"D 7.6 cm X 7.6 cm X 5.1 cm	6.5"H X 3"W X 2"D 7.6 cm X 7.6 cm X 5.1 cm	2.5"H X 13"W X 1.5"D 6.4 cm X 33 cm X 3.8 cm	3"H X 2"W X 2.78"D 7.6 cm X 5.1 cm X 7.1 cm	6.5"H X 3"W X 2"D 7.6 cm X 7.6 cm X 5.1 cm	3"H X 2"W X 2.78"D 7.6 cm X 5.1 cm X 7.1 cm
<b>Part Number</b>	1100-426	1101-350	1101-058	1100-619	1100-740	1100-878

\*Fused = Disconnects power if suppressor sacrifices



208.772.8515 800.882.9110 FAX 208.762.6133  
 10701 N. Airport Road, Hayden, ID 83835

www.transtector.com sales@transtector.com

An ISO 9001:2000 and 14001 Certified Company

