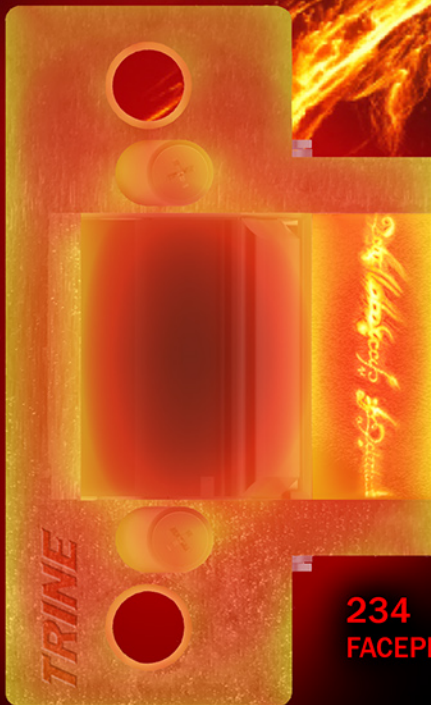


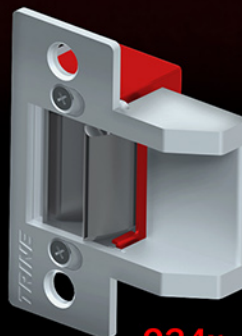
# THE 323478F-LC KIT

## FIRE RATED CYLINDRICAL LOCK SOLUTION



**234  
FACEPLATE**

New adjustable  
2-3/4" faceplate



**234x  
FACEPLATE**



**478  
FACEPLATE**

**ONE STRIKE  
TO RULE THEM ALL!**

(We couldn't resist)

**THE SMALLEST FIRE RATED  
ELECTRIC STRIKE IN THE WORLD**

- 3 Hour Fire Rated
- 1" Total Backset
- 1/8" Horizontal Adjustment
- BHMA Grade 1 - All stainless steel construction
- 12-24 AC & DC - surge & kickback protection

\*Order the 323478FX-LC  
when installing on  
Timely® & Redi® frames.

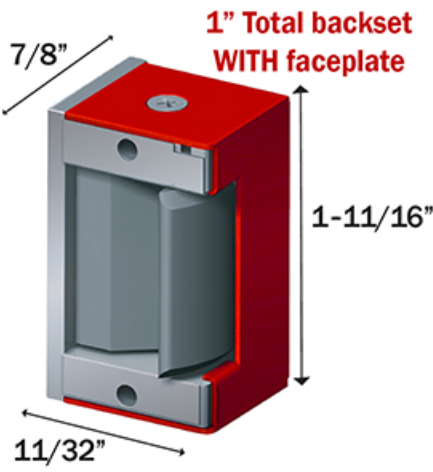
**TRINE**  
ACCESS TECHNOLOGY.

**FORGING  
NEW SOLUTIONS  
WITH ELECTRIC STRIKES**

**323478F-LC**



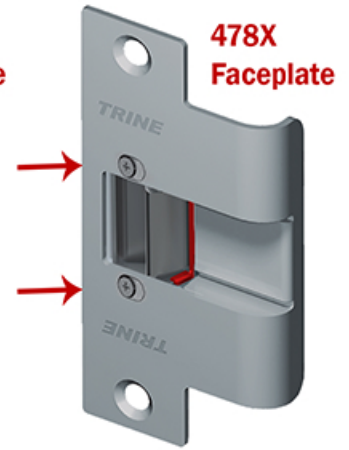
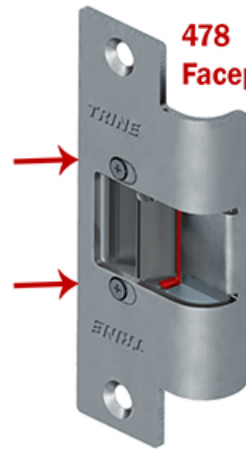
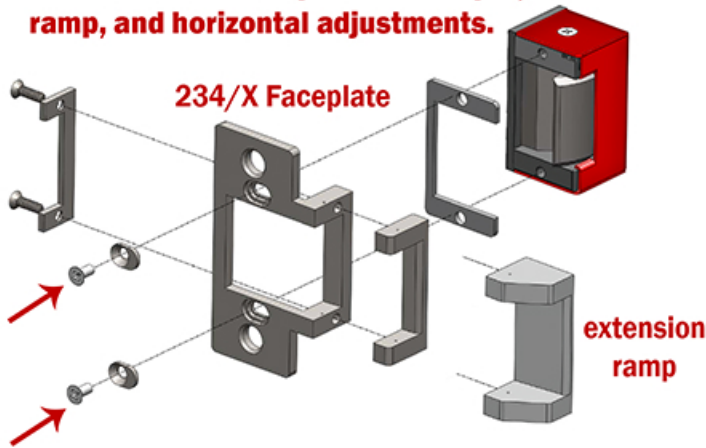
**323478FX-LC**  
for Timely® Redi® frames



Included LC100 provides 12-24 AC & DC power with surge and kickback protection.



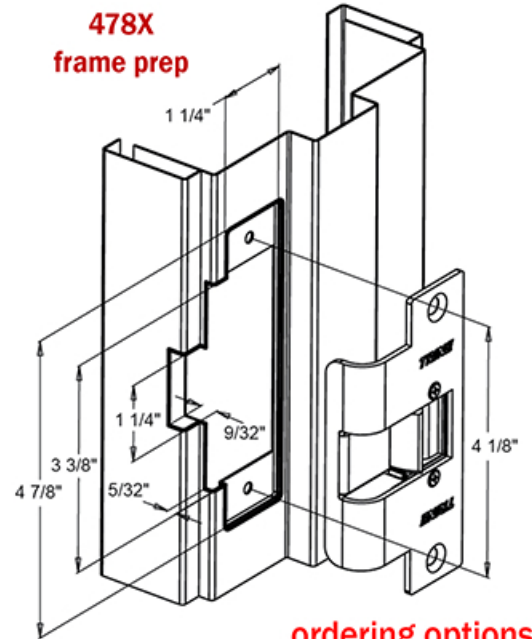
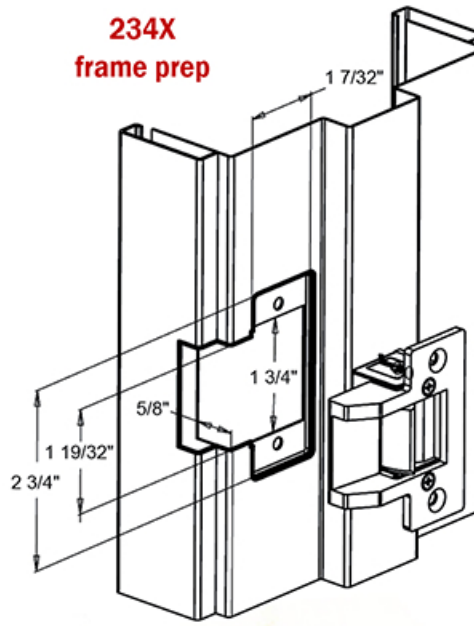
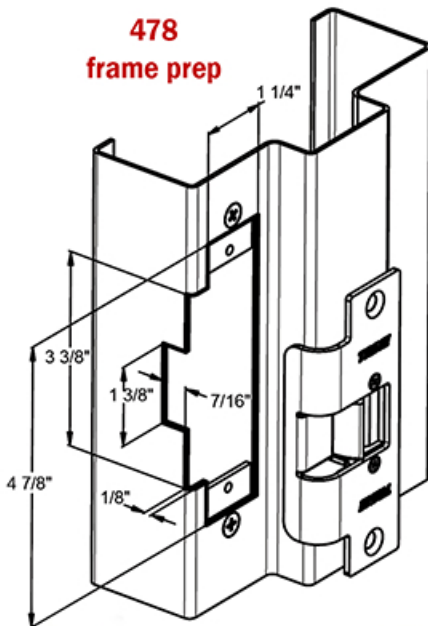
The most flexible faceplate with depth, ramp, and horizontal adjustments.



→ **NEW 1/8" Horizontal adjustment added**

(patented)

→ **1/8" Horizontal adjustment always included.**



ordering options:

323478F-LC-32D	\$399. <sup>00</sup>
323478F-LC-DKBZ	\$419. <sup>00</sup>
323478FX-LC-32D	\$409. <sup>00</sup>
323478FX-LC-DKBZ	\$429. <sup>00</sup>

323478F-RS-32D	\$399. <sup>00</sup>
323478F-RS-DKBZ	\$419. <sup>00</sup>
323478FX-RS-32D	\$409. <sup>00</sup>
323478FX-RS-DKBZ	\$429. <sup>00</sup>

RS - Fail safe option always voids fire rating.

**323478FLC Electrical Characteristics**

VOLTAGE	PULL IN/HOLD AMPS	OHMS	DUTY	SOUND
12VDC	.743/.298	13	Intermittent/Continuous	Silent
12VAC	.715/.277	13	Intermittent/Continuous	Silent
24VDC	.397/.170	13	Intermittent/Continuous	Silent
24VAC	.378/.173	13	Intermittent/Continuous	Silent