

Owner's Manual

BP Series External Battery Packs

Not suitable for mobile applications.

24V Battery Packs	36V Battery Packs	48V Battery Packs	72V Battery Packs
BP24V15RT2U, 14AH BP24V28-2U, 28AH BP24V36-2US, 36AH BP24V70-3U, 70AH	BP36V15-2U, 18AH BP36V42-3U, 21AH	BP48V24-2U, 18AH BP48V27-2US, 27AH BP48V48RT4U, 42AH BP48V60RT-3U, 42AH	BP72V15-2U, 15AH BP72V18-2US, 18AH BP72V28RT-3U, 28AH

Introduction	2
Important Safety Instructions	2
Mounting	4
Connection	11
Maintenance	12
Warranty and Product Registration	13
Español	14
Français	27
Русский	40

PROTECT YOUR INVESTMENT!

Register your product for quicker service and ultimate peace of mind.
You could also win an ISOBAR6ULTRA surge protector—a \$100 value!

www.tripplite.com/warranty



1111 W. 35th Street, Chicago, IL 60609 USA • www.tripplite.com/support

Copyright © 2019 Tripp Lite. All rights reserved.

Introduction

Tripp Lite BP Series External Battery Packs are designed for use with various Tripp Lite UPS systems equipped with external battery pack connectors.

Important Safety Instructions



SAVE THESE INSTRUCTIONS

WARNING! The mounting shelves are not intended to support more than one battery pack. Do not stack multiple battery packs on a single set of mounting shelves. Failure to follow this warning may lead to product damage and/or risk of personal bodily harm.

- **Use caution when lifting battery packs. Because of the considerable weight of all battery packs, at least two people should assist in lifting and installing them.**
- **Make certain the battery packs and UPS use the same DC voltage before connecting them.**
- **Use only Tripp Lite external battery packs with overcurrent protection. Installation is by qualified service personnel only. Contact Tripp Lite Customer Support at 773.869.1234 for the appropriate Tripp Lite battery pack to connect.**
- **Your external metal battery cabinets are provided with a means for equipotential protective bonding for safety. When using 2-pin connector external batteries, be sure to bond the metal enclosure of your external battery to the metal enclosure of the UPS system. Three-pin/conductor battery packs are equipped with a ground bond plug. Plastic enclosures do not require bonding. See below for ground bonding strap requirements:**

24V Battery Packs

BP24V15RT2U: Plastic enclosure, so ground bonding strap is not required.

BP24V28-2U: 12 AWG ground bonding strap

BP24V36-2US: 12 AWG ground bonding strap

BP24V70-3U: 12 AWG ground bonding strap

36V Battery Packs

BP36V15-2U: 12 AWG ground bonding strap

BP36V42-3U: 12 AWG ground bonding strap

48V Battery Packs

BP48V24-2U: 12 AWG ground bonding strap

BP48V27-2US: 12 AWG ground bonding strap

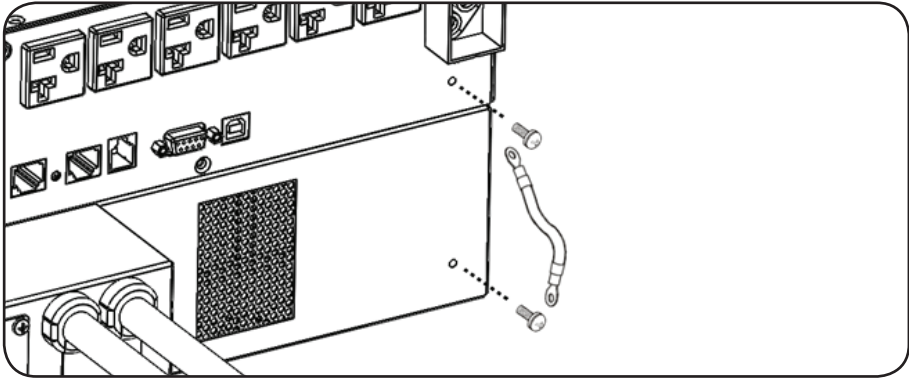
BP48V48RT4U: 12 AWG ground bonding strap

BP48V60RT-3U: 12 AWG ground bonding strap

Note: The battery connector on 72V battery packs has a built-in ground bonding plug, so an additional ground bonding strap isn't needed.

Important Safety Instructions

Securely attach the provided ground strap to the UPS system as illustrated below:



- **Use of this equipment in life support applications where failure of this equipment can reasonably be expected to cause the failure of the life support equipment or to significantly affect its safety or effectiveness is not recommended. Do not use this equipment in the presence of a flammable anesthetic mixture with air, oxygen or nitrous oxide.**
- Suggested mounting procedures are for common rack types and may not be appropriate for all rack configurations. User must determine the fitness of rack and wall-mount hardware and procedures before mounting.
- When connecting multiple battery packs to a single UPS, the battery packs should be approximately the same age.
- It is normal for sparks to occur when connecting external batteries.
- Do not unplug external batteries from the UPS while the UPS is operating on battery power, due to the possibility of dangerous arcing.
- Batteries can present a risk of electrical shock and burn from high short-circuit current. Observe proper precautions. Do not dispose of the batteries in a fire. Do not open the UPS or batteries. Do not short or bridge the battery terminals with any object. Unplug and turn off the UPS before performing battery replacement. Use tools with insulated handles. There are no user-serviceable parts inside the UPS. Battery replacement should be performed only by authorized service personnel using the same number and type of batteries (Sealed Lead-Acid). The batteries are recyclable. Refer to your local codes for disposal requirements or visit <http://www.tripplite.com/support/recycling-program> for recycling information. Tripp Lite offers a complete line of UPS System Replacement Battery Cartridges (R.B.C.). Visit Tripp Lite on the Web at <http://www.tripplite.com/products/battery-finder/> to locate the specific replacement battery for your UPS.

Mounting (Rack)

Mount your rackmount battery pack in either a 4-post or 2-post rack or rack enclosure (see page 6 for 2-post mounting). The user must determine the fitness of hardware and procedures before mounting. If hardware and procedures are not suitable for your application, contact the manufacturer of your rack or rack enclosure. The procedures described in this manual are for common rack and rack enclosure types and may not be appropriate for all applications.

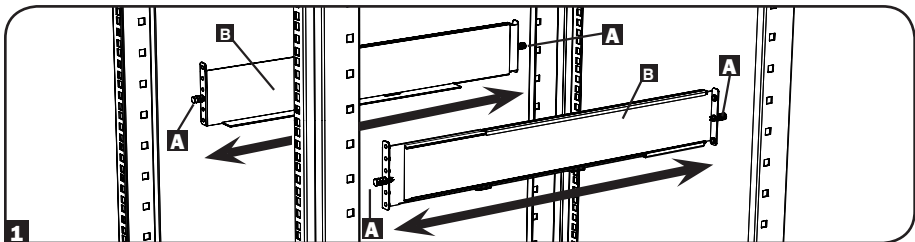
4-Post Mounting

Most external battery packs include the hardware required for 4-post mounting. If this hardware did not come with your unit, an Adjustable 4-Post Rackmount Shelf Kit (Model 4POSTRAILKIT) may be ordered separately.

- 1 The included plastic pegs **A** will temporarily support the empty rackmount shelves **B** while you install the permanent mounting hardware. Insert a peg near the center of the front and rear bracket of each shelf as shown. (Each front bracket has 6 holes and each rear bracket has 3 holes.) The pegs will snap into place.

After installing the pegs, expand each shelf to match the depth of your rack rails. The pegs will fit through the square holes in the rack rails to support the shelves. Refer to the rack unit labels to confirm the shelves are level in all directions.

Note: The support ledge of each shelf must face inward.

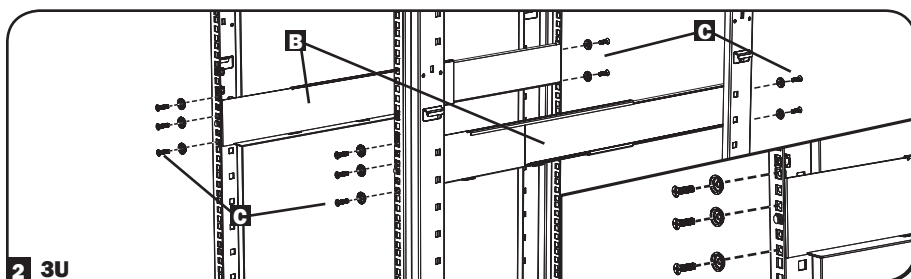
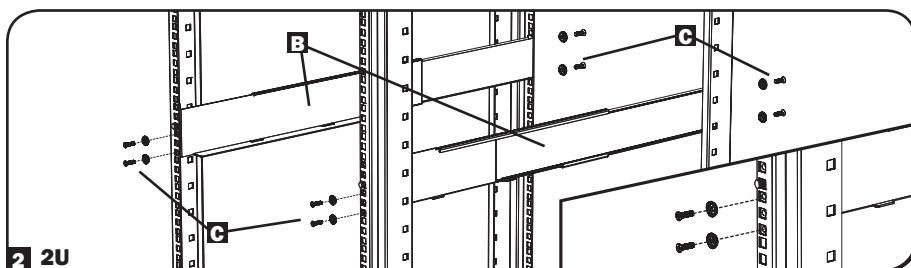


Mounting (Rack)

- 2** Secure the shelves **B** to the mounting rails permanently using the included screws and cup washers **C** as shown.
- For 2U equipment mounting, place 4 screws total at the front and 4 screws total at the back.
 - For 3U equipment mounting, place 6 screws total at the front and 4 screws total at the back.

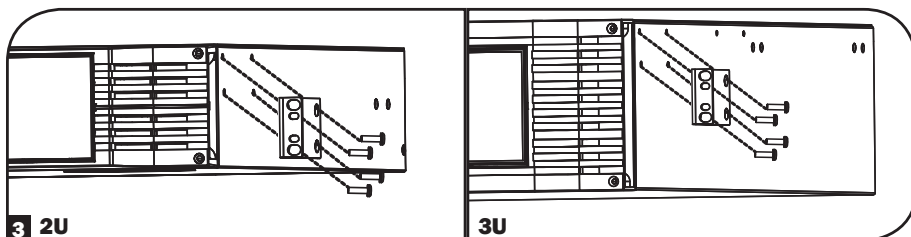
Tighten all screws before proceeding.

Warning: Do not attempt to install equipment until you have inserted and tightened the required screws. The plastic pegs will not support the weight of your equipment.

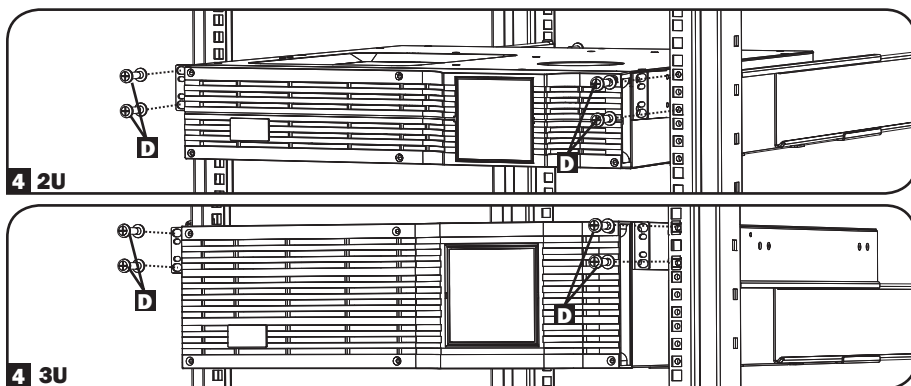


Mounting (Rack)

- 3** Using the included hardware, attach the mounting brackets to the forward mounting holes of the cabinet. The mounting bracket "ears" should face forward. (Some equipment may have pre-installed or integral mounting brackets.)



- 4** With the aid of an assistant (if necessary), lift your equipment and slide it into the shelves. Attach the equipment mounting brackets to the forward mounting rails with user-supplied screws and washers **D**. Tighten all screws securely.

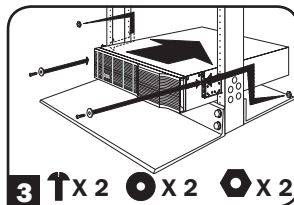
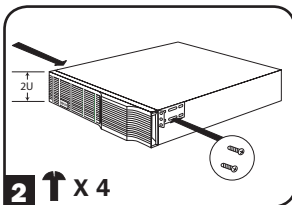
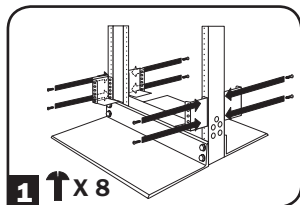


Mounting (Rack)

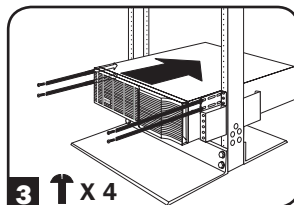
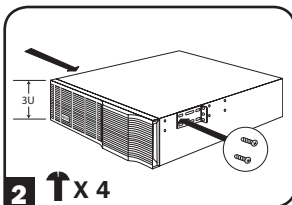
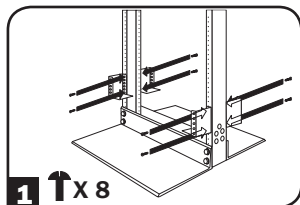
2-Post (Telecom) Mounting

Select external battery pack models include the hardware required for 2-post mounting. If this hardware did not come with your unit, a 2-Post Rackmount Installation Kit (Model 2POSTRMKITWM or 2POSTRMKITHD) may be ordered separately. Refer to the illustrations below for specific installation instructions covering 2U, 3U and 4U battery packs.

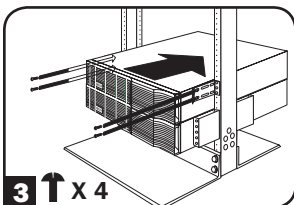
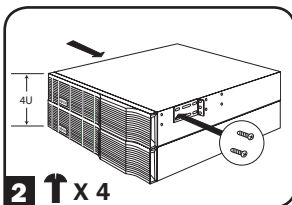
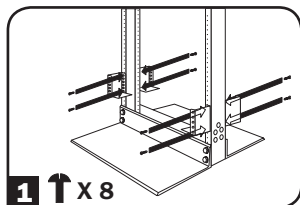
2U



3U



4U

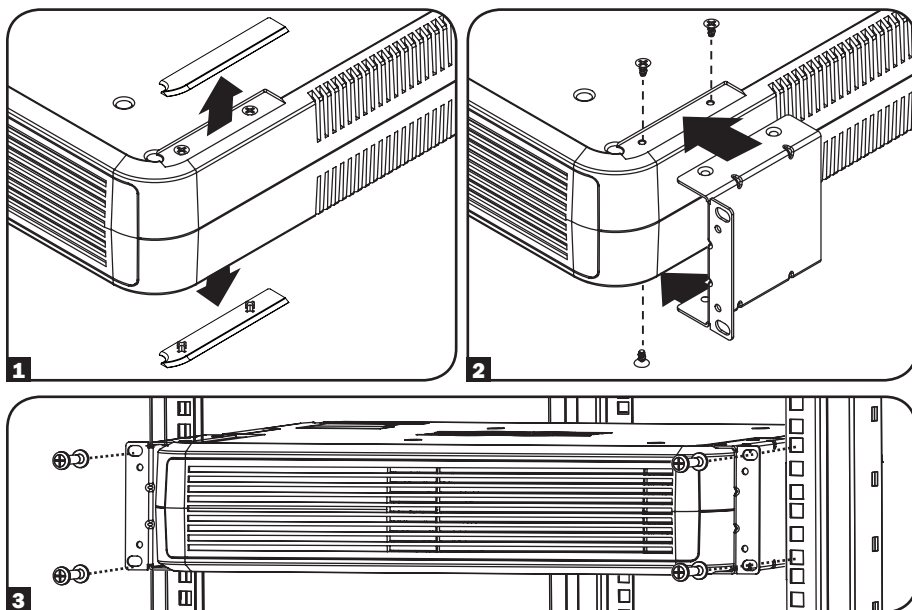


Important: Illustrations show the most typical installation configurations; your model may vary. Use only the pre-drilled screw holes to attach mounting brackets to the sides of the battery pack. When installing battery packs into the rack, ensure the weight of the unit is evenly distributed.

Mounting (Rack)

BP24V15RT2U 4-Post Mounting

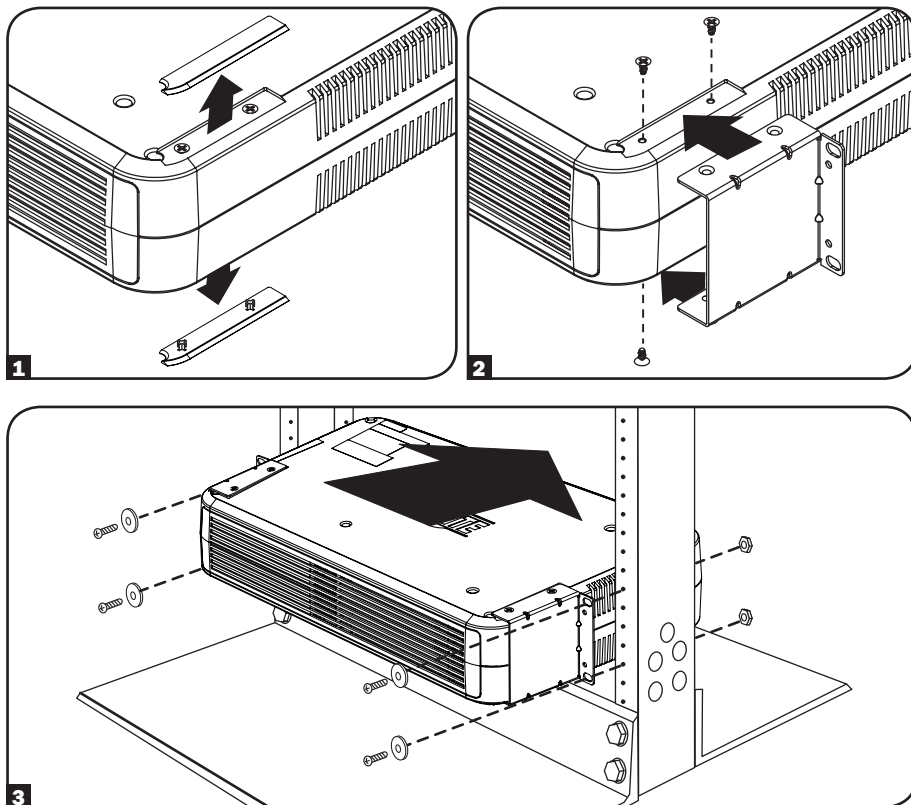
To install an external battery pack in a 4-post rack, remove the mounting hole covers from the top and bottom sides of the battery pack **1**. To install the battery pack in a 4-post rack, attach the mounting ears to each side of the UPS using the included hardware **2**. With the help of an assistant, lift the battery pack and attach it to a standard rack with user-supplied hardware **3**.



Mounting (Rack)

BP24V15RT2U 2-Post Mounting

To install the external battery pack in a 2-post rack, remove the mounting hole covers from the top and bottom sides of the pack **1**. Attach the mounting ears to each side of the UPS using the included hardware **2**. With the help of an assistant, lift the battery pack and attach it to a standard rack with user-supplied hardware **3**.



Important: Illustrations show the most common installation configurations; your model may vary. Use only the pre-drilled screw holes to attach mounting brackets to the sides of the battery pack. When installing battery packs into the rack, ensure the weight of the unit is evenly distributed.

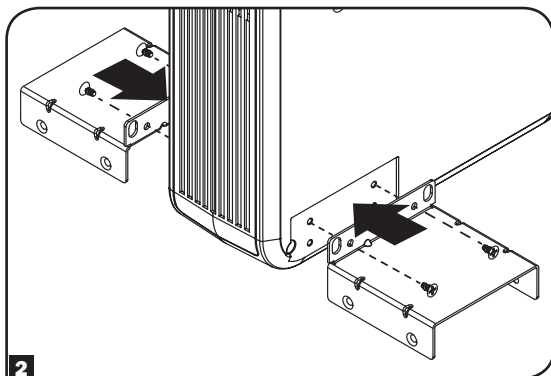
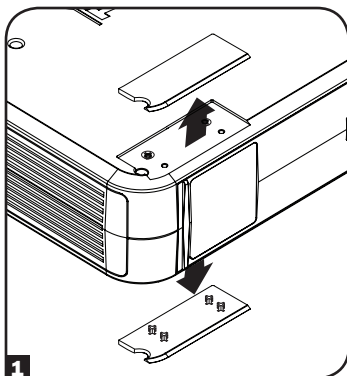
Mounting (Tower)

Select external battery pack models support tower mounting. For increased stability, Tripp Lite recommends the use of the 2-9USTAND (sold separately). Ensure the Battery Orientation Warning label is not facing upward when installing the battery pack in tower orientation. Follow the instructions included with the 2-9USTAND to complete the installation.

WARNING
DO NOT INSTALL PRODUCT
WITH THIS LABEL
FACING UP

BP24V15RT2U Tower Mounting

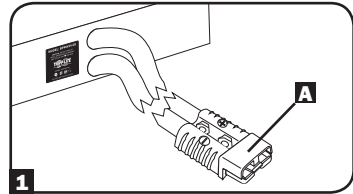
The BP24V15RT2U will stand in a tower position without the aid of the included hardware. For increased stability, Tripp Lite recommends removing the screw covers from each bottom side **1** and attaching the included hardware **2**. In either position, the user must determine the fitness of hardware and procedures before installation.



NOTICE: If Battery Orientation Warning labels are affixed to both sides of the battery pack, it can only support rack-mount installation.

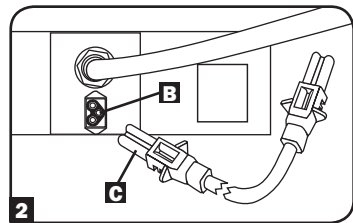
Connection

- 1 Select battery packs have a polarized plug **A** on an output cord permanently connected to the rear panel. Simply plug the output cord directly into the UPS external battery connector (refer to the UPS manual for external battery connector description and location).



Note: Only one of these battery packs is generally connected to a UPS at one time. For longer runtime, use one or more Tripp Lite Battery Packs with daisy-chain capability.

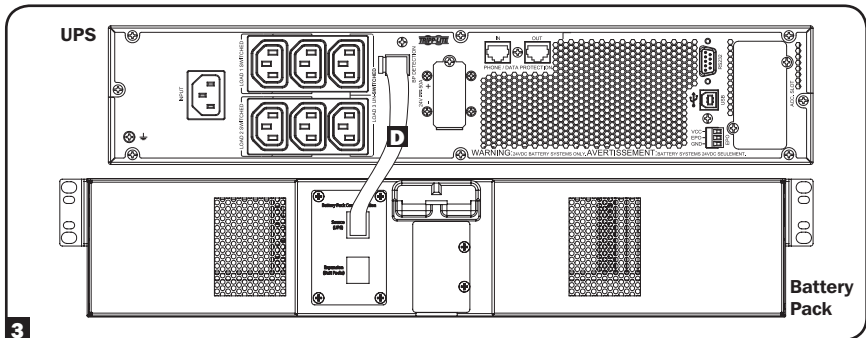
- 2 Select battery packs feature daisy-chain capability for longer runtime **B**. To connect to a UPS, insert one end of the attached cable **C** into either plug on the rear of the battery pack and the cable's other end into the external battery connector of your UPS. (See your UPS manual for external battery connector description and location.)



To connect multiple battery packs to a single UPS for greatly increased runtime, connect the output of the first battery pack to the UPS system's external battery pack to the UPS system's external battery connector, then "daisy-chain" the others: connect an input/output plug on the second battery pack to an input/output plug on the first, a plug on the third to a plug on the second and so on.

Note: Multiple battery pack arrays will provide longer runtimes, but will also require longer recharge times.

- 3 Select battery packs contain an external battery detection port on the rear panel. The battery packs should only be used with host UPS models that provide the same functionality. The UPS will automatically detect the external battery upon connection with the battery communication cable **D**. Check the UPS manual for compatible external battery pack models, configuration requirements and potential limitations. Battery packs are for use only with UPS systems supporting external battery pack detection cabling (this connection is not required if the UPS does not support this feature).



Maintenance

Battery packs require no maintenance but should be kept dry at all times. Avoid installation in locations with high heat and/or humidity. The battery packs should be kept fully charged by being connected to an active UPS system, not left in a depleted condition. Batteries left in a discharged state will suffer a permanent loss of capacity.

Troubleshooting

There is a fuse array inside the battery packs. If a heavy overload or short circuit is encountered, a fuse will open (blow). A battery pack with a blown fuse will deliver no output voltage at any load. A qualified technician must replace the fuses. Contact Tripp Lite Customer Support for additional information.

Internal Battery Replacement

The batteries in the battery packs will eventually wear out and be unable to provide adequate backup times. The batteries should only be replaced by factory authorized service personnel. Tripp Lite offers an exchange program for North American customers wherein they may exchange worn-out battery packs for new ones at a price comparable to the cost of individual battery replacement. For more details, visit www.tripplite.com/support.

Storage

Disconnect your battery pack's power cable before storing. If you plan to store your battery pack for an extended period of time, fully recharge its batteries every three months by connecting it to a UPS that is connected to AC input for at least 12 hours.

Service

Your Tripp Lite product is covered by the warranty described in this manual. A variety of Extended Warranty and On-Site Service Programs are also available from Tripp Lite. For more information on service, visit www.tripplite.com/support. Before returning your product for service, follow these steps:

1. Review the installation and operation procedures in this manual to insure that the service problem does not originate from a misreading of the instructions.
2. If the problem continues, do not contact or return the product to the dealer. Instead, visit www.tripplite.com/support.
3. If the problem requires service, visit www.tripplite.com/support and click the Product Returns link. From here you can request a Returned Material Authorization (RMA) number, which is required for service. This simple on-line form will ask for your unit's model and serial numbers, along with other general purchaser information. The RMA number, along with shipping instructions will be emailed to you. Any damages (direct, indirect, special or consequential) to the product incurred during shipment to Tripp Lite or an authorized Tripp Lite service center are not covered under warranty. Products shipped to Tripp Lite or an authorized Tripp Lite service center must have transportation charges prepaid. Mark the RMA number on the outside of the package. If the product is within its warranty period, enclose a copy of your sales receipt. Return the product for service using an insured carrier to the address given to you when you request the RMA.

Warranty and Product Registration

2-Year Limited Warranty

Seller warrants this product, if used in accordance with all applicable instructions, to be free from original defects in material and workmanship for a period of 2 years from the date of initial purchase. If the product should prove defective in material or workmanship within that period, Seller will repair or replace the product, at its sole discretion.

THIS WARRANTY DOES NOT APPLY TO NORMAL WEAR OR TO DAMAGE RESULTING FROM ACCIDENT, MISUSE, ABUSE OR NEGLIGENCE. SELLER MAKES NO EXPRESS WARRANTIES OTHER THAN THE WARRANTY EXPRESSLY SET FORTH HEREIN. EXCEPT TO THE EXTENT PROHIBITED BY APPLICABLE LAW, ALL IMPLIED WARRANTIES, INCLUDING ALL WARRANTIES OF MERCHANTABILITY OR FITNESS, ARE LIMITED IN DURATION TO THE WARRANTY PERIOD SET FORTH ABOVE; AND THIS WARRANTY EXPRESSLY EXCLUDES ALL INCIDENTAL AND CONSEQUENTIAL DAMAGES. (Some states do not allow limitations on how long an implied warranty lasts, and some states do not allow the exclusion or limitation of incidental or consequential damages, so the above limitations or exclusions may not apply to you. This warranty gives you specific legal rights, and you may have other rights which vary from jurisdiction to jurisdiction).

WARNING: The individual user should take care to determine prior to use whether this device is suitable, adequate or safe for the use intended. Since individual applications are subject to great variation, the manufacturer makes no representation or warranty as to the suitability or fitness of these devices for any specific application.

Product Registration

Visit www.tripplite.com/warranty today to register your new Tripp Lite product. You'll be automatically entered into a drawing for a chance to win a FREE Tripp Lite product!*

* No purchase necessary. Void where prohibited. Some restrictions apply. See website for details.

Tripp Lite has a policy of continuous improvement. Specifications are subject to change without notice.



1111 W. 35th Street Chicago, IL 60609 USA • www.tripplite.com/support

Manual del propietario

Bancos de batería externas Serie BP

No conveniente para los usos móviles.

Módulos de Baterías de 24V	Módulos de Baterías de 36V	Módulos de Baterías de 48V	Módulos de Baterías de 72V
BP24V15RT2U, 14AH BP24V28-2U, 28AH BP24V36-2US, 36AH BP24V70-3U, 70AH	BP36V15-2U, 18AH BP36V42-3U, 21AH	BP48V24-2U, 18AH BP48V27-2US, 27AH BP48V48RT4U, 42AH BP48V60RT-3U, 42AH	BP72V15-2U, 15AH BP72V18-2US, 18AH BP72V28RT-3U, 28AH

Introducción	15
Instrucciones de seguridad importantes	15
Montaje	17
Conexión	24
Mantenimiento	25
Garantía	26
English	1
Français	27
Русский	40



1111 W. 35th Street, Chicago, IL 60609 USA • www.tripplite.com/support

© 2019 Tripp Lite. Todos los derechos reservados.

Introducción

Los bancos de baterías externas Serie BP de Tripp Lite están diseñados para usarse con diferentes UPS de Tripp Lite equipados con conectores para bancos externos de baterías.

Instrucciones de seguridad importantes



GUARDE ESTAS INSTRUCCIONES

¡ADVERTENCIA! Los anaqueles de montaje no están diseñados para soportar más de un banco de baterías. No apile múltiples bancos en un sólo juego de anaqueles. El incumplimiento de esta advertencia puede originar daños al producto o lesiones personales.

- **Sea precavido al levantar bancos de baterías. Debido a su gran peso, se requieren por lo menos dos personas para ayudarlo a levantar e instalar dichos bancos.**
- **Asegúrese que sus bancos de baterías y su UPS usen el mismo voltaje de corriente continua antes de conectarlos.**
- **Use solo módulos de baterías externas Tripp Lite con protección contra sobrecorriente. La instalación debe llevarla a cabo únicamente personal de servicio calificado. Póngase en contacto con Soporte al Cliente de Tripp Lite al 773.869.1234 para consultar el módulo de baterías externas apropiado que se debe conectar.**
- **Los gabinetes metálicos de sus baterías externas están provistos por seguridad de un medio de protección equipotencial. Al usar baterías externas con conector de 2 pines, asegúrese de unir el gabinete metálico de su batería externa al gabinete metálico del sistema UPS. Los módulos de baterías con tres conductores / pines están equipados con una clavija de conexión a tierra. Los gabinetes de plástico no requieren bonding. Para los requisitos de la cinta de conexión a tierra, consulte abajo:**

Módulos de Baterías de 24V

BP24V15RT2U: Gabinete de plástico, por lo que no se requiere Cinta de conexión a tierra.

BP24V28-2U: Cinta de conexión a tierra 12 AWG

BP24V36-2US: Cinta de conexión a tierra 12 AWG

BP24V70-3U: Cinta de conexión a tierra 12 AWG

Módulos de Baterías de 36V

BP36V15-2U: Cinta de conexión a tierra 12 AWG

BP36V42-3U: Cinta de conexión a tierra 12 AWG

Módulos de Baterías de 48V

BP48V24-2U: Cinta de conexión a tierra 12 AWG

BP48V27-2US: Cinta de conexión a tierra 12 AWG

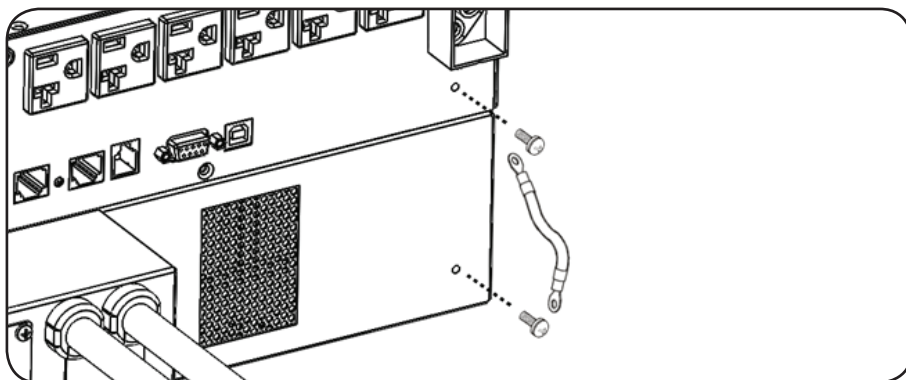
BP48V48RT4U: Cinta de conexión a tierra 12 AWG

BP48V60RT-3U: Cinta de conexión a tierra 12 AWG

Nota: El conector de la batería en módulos de baterías de 72V tiene incorporada un clavija para conexión a tierra, de modo que no se requiere una cinta adicional para conexión a tierra.

Instrucciones de seguridad importantes

Fija firmemente la Cinta de conexión a tierra suministrada al sistema UPS como se ilustra a continuación:



- **El uso de este equipo en aplicaciones de soporte de vida en donde la falla de este equipo pueda razonablemente hacer suponer que causará fallas en el equipo de soporte de vida o afecte significativamente su seguridad o efectividad, no está recomendado. No use este equipo en la presencia de una mezcla anestésica inflamable con aire, oxígeno u óxido nítrico.**
- Los procedimientos de montaje recomendados son para tipos de bastidores comunes y pueden no ser apropiados para todas las configuraciones de bastidor. El usuario debe determinar la idoneidad del bastidor, de los accesorios para el montaje en pared y de los procedimientos, antes del montaje.
- Cuando se conectan varios bancos de baterías a un sólo UPS, estos deben tener aproximadamente la misma antigüedad.
- Es normal que se produzcan chispas al conectar baterías externas.
- No desconecte las baterías externas del UPS mientras éste se encuentra en operación con energía de batería, debido a que puede formarse un arco peligroso.
- Debido a que las baterías presentan un peligro de choque eléctrico y quemaduras por las altas corrientes de cortocircuito, tome las precauciones adecuadas. No deseche las baterías en un incinerador. No abra las baterías. No ponga los terminales de la batería en corto o en puente con ningún objeto. Apague y desconecte el UPS antes de reemplazar la batería. Sólo debe cambiar las baterías personal técnico debidamente capacitado. Use herramientas con mangos aislados y reemplace las baterías existentes con el mismo número y tipo de baterías nuevas (plomo-ácido selladas). Las baterías del UPS son reciclables. Consulte la reglamentación local para los requisitos de disposición de desechos o visita <http://www.tripplite.com/support/recycling-program> para reciclar información. Tripp Lite ofrece una línea completa de Cartuchos de reemplazo de batería para UPS (R.B.C.). Visite Tripp Lite en la web en <http://www.tripplite.com/products/battery-finder/> para localizar la batería de reemplazo específica para su UPS.

Montaje (Bastidor)

Monte su banco de baterías en un bastidor de 2 o 4 postes (vea la página 15] para instalación de 2 postes). El usuario debe determinar la idoneidad de los materiales y accesorios, así como de los procedimientos antes del montaje. Si los materiales y procedimientos no son adecuados para su aplicación, contacte con el fabricante de su bastidor. Los procedimientos descritos en este manual son para bastidores comunes y de tipo caja y podrían no ser apropiados para todas las aplicaciones.

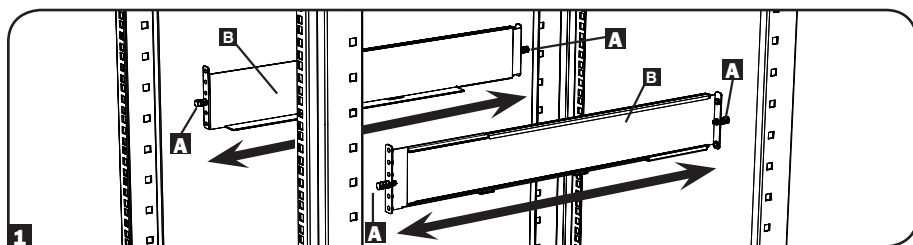
Montaje de 4 postes

La mayoría de los módulos de baterías externas incluyen el hardware requerido para su instalación en 4 postes. Si este hardware no venía con su unidad, un Juego Ajustable para Instalación en Rack de 4 postes (Modelo 4POSTRAILKIT) puede ser solicitado, por separado.

- 1 Los ganchos plásticos **A** incluidos mantendrán temporalmente los estantes rackmount vacíos **B** mientras usted coloca los accesorios de instalación permanentes. Inserte un gancho cerca del centro del soporte frontal y posterior de cada estantes como se muestra. (Cada soporte frontal tiene 6 orificios y cada soporte posterior posee 3 orificios.) Los ganchos encajarán en su lugar.

Después de colocar los ganchos, expanda cada estante para que se ajuste con la profundidad de los rieles de su rack. Los ganchos encajarán en los orificios cuadrados en los rieles del rack para sostener los estantes. Consulte las etiquetas de la unidad del rack para confirmar que los estantes estén nivelados en todas las direcciones.

Nota: El reborde de soporte de cada estante debe quedar mirando hacia adentro.



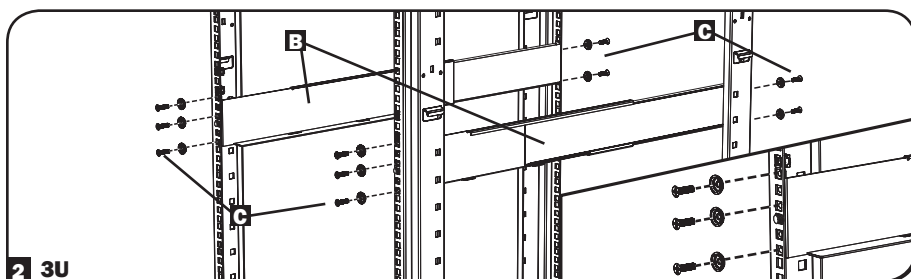
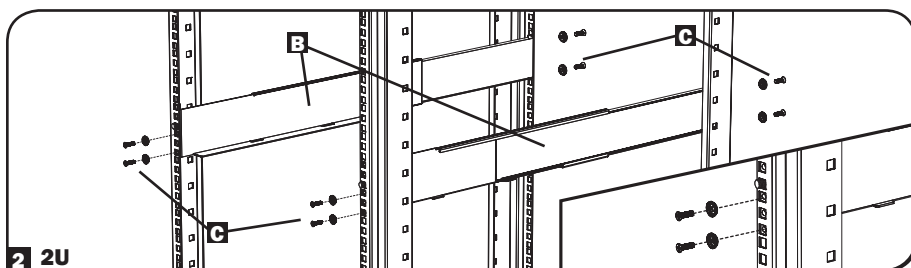
Montaje (Bastidor)

2 Asegure de manera permanente los estantes **B** a los rieles de montaje usando los tornillos incluidos y las arandelas acopadas **C** como se muestra.

- Para montaje de equipos de 2U, coloque 4 tornillos en total en la parte frontal y 4 tornillos en total en la parte posterior.
- Para montaje de equipos de 3U, coloque 6 tornillos en total en la parte frontal y 4 tornillos en total en la parte posterior.

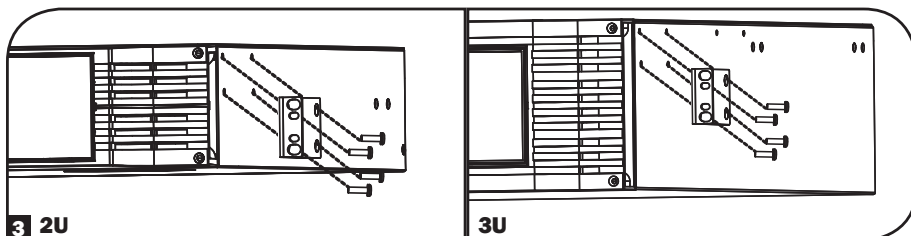
Apriete todos los tornillos antes de continuar.

Advertencia: No intente instalar su equipo hasta que haya insertado y apretado los tornillos necesarios. Los ganchos plásticos no soportarán el peso de su equipo.

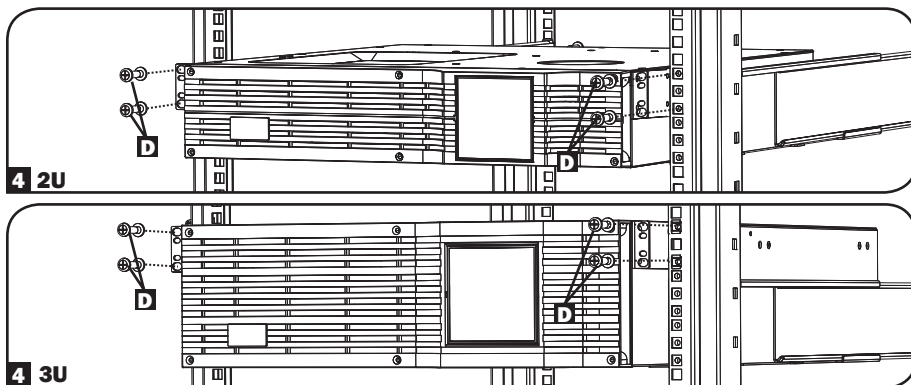


Montaje (Bastidor)

- 3** Coloque los soportes de montaje de su equipo en los orificios de montaje delanteros del gabinete usando los accesorios que vienen incluidos con su equipo. Las “orejas” del soporte de montaje deben quedar mirando hacia adelante. (Puede que algunos equipos tengan soportes de montajes preinstalados o integrados.)



- 4** Con la ayuda de un asistente (en caso de ser necesario), levante su equipo y deslícelo en los estantes. Coloque los soportes de montaje del equipo en los rieles de montaje delanteros con los tornillos y arandelas **D** suministradas por el usuario. Apriete todos los tornillos de manera segura.

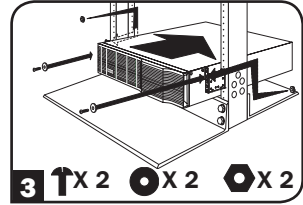
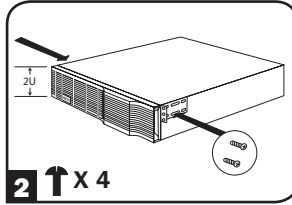
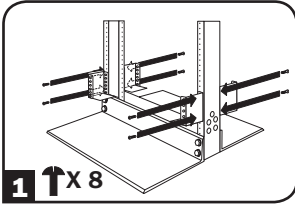


Montaje (Bastidor)

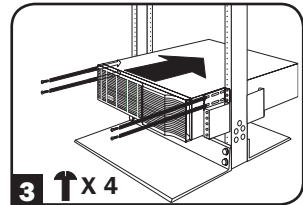
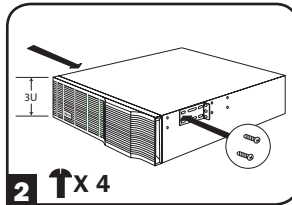
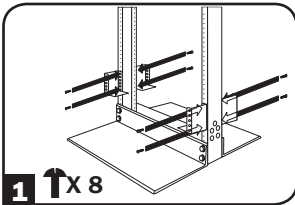
Montaje de 2 postes (Telecomunicaciones)

Para instalar módulos de baterías para rack, en racks de 2 postes, se requiere un Juego para Instalación en Rack de 2 postes de Tripp Lite (Modelo 2POSTRMKITWM o 2POSTRMKITHD). Si este Juego no venía con su unidad, puede ser solicitado, por separado. Refiérase a la ilustración de abajo para instrucciones específicas de instalación que abarca a los módulos de baterías 2U, 3U y 4U.

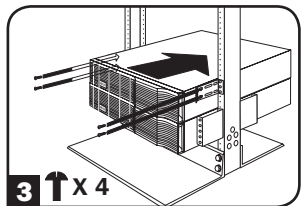
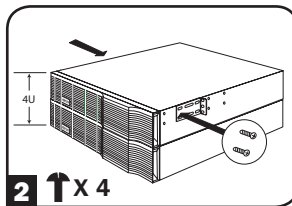
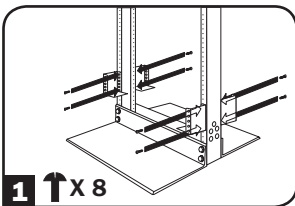
2U



3U



4U

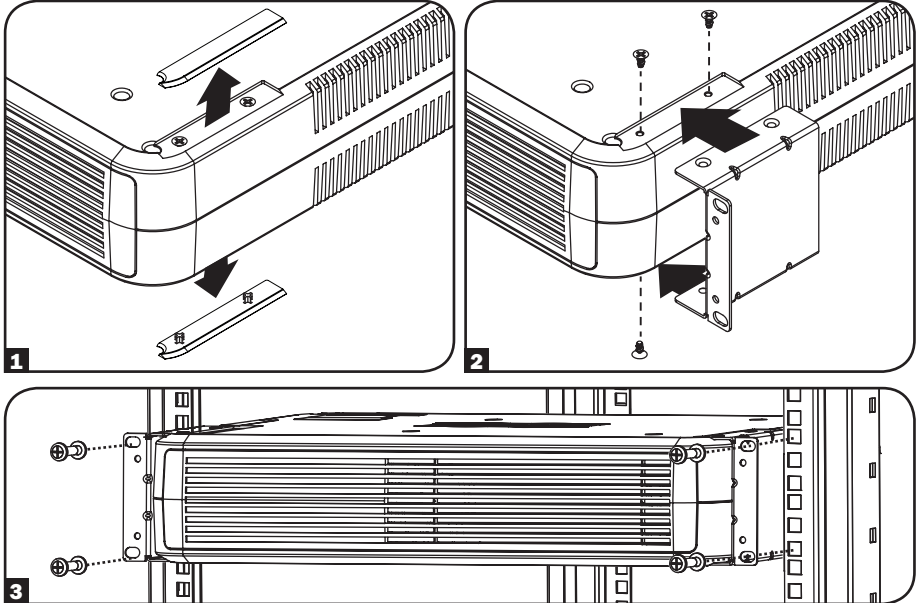


Importante: Las ilustraciones muestran las configuraciones de instalación más típicas; su modelo puede variar. Use solamente los agujeros, para los tornillos, preperforados para fijar las abrazaderas a los lados del módulo de baterías. Cuando instale el módulo de baterías en el rack, asegúrese que el peso de la unidad esté uniformemente distribuido.

Montaje (Bastidor)

Instalación en 4 Postes del BP24V15RT2U

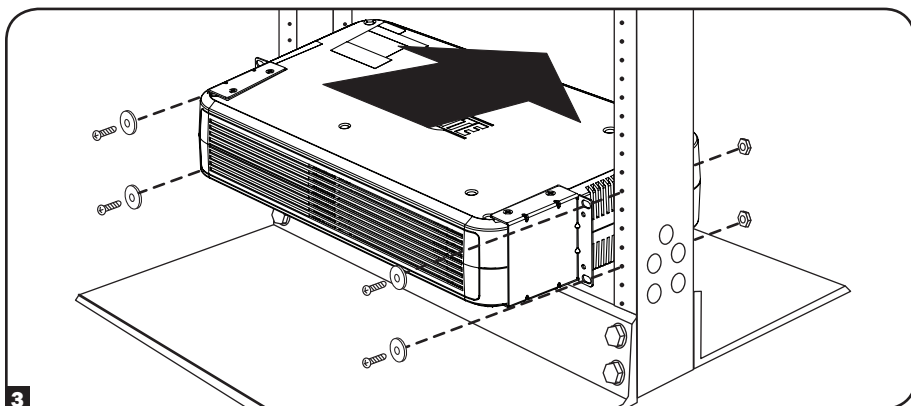
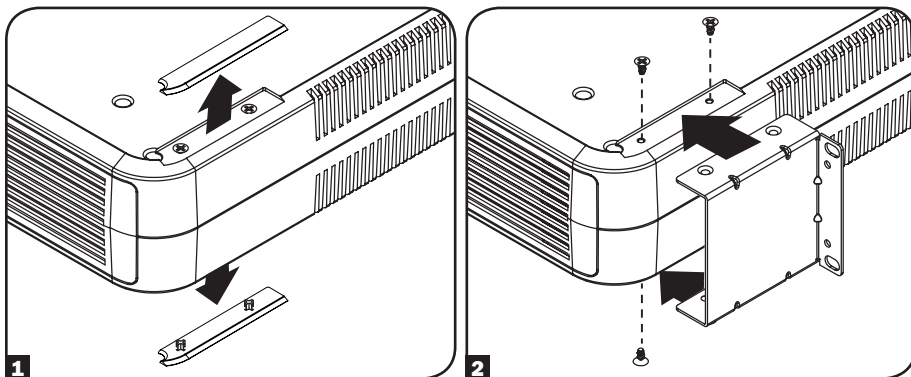
Para instalar el módulo de baterías externas BP24V15RT2U en un rack de 4 postes, retire las tapas de las perforaciones de instalación de la parte superior e inferior del módulo de baterías **1**. Para instalar un módulo de baterías en un rack de 4 postes, coloque las orejas de instalación a cada lado del UPS usando los accesorios incluidos **2**. Con la ayuda de un asistente, levante el módulo de baterías y colóquelo en un rack estándar con los accesorios suministrados por el usuario **3**.



Montaje (Bastidor)

Instalación en 2 Postes del BP24V15RT2U

Para instalar el módulo de baterías externas BP24V15RT2U en un rack de 2 postes, retire las tapas de las perforaciones de instalación de la parte superior e inferior del módulo **1**. Coloque las orejas de instalación a cada lado del UPS usando los accesorios incluidos **2**. Con la ayuda de un asistente, levante el módulo de baterías y colóquelo en un rack estándar con los accesorios suministrados por el usuario **3**.



Importante: Las ilustraciones muestran las configuraciones de instalación más típicas; su modelo puede variar. Use solamente los agujeros, para los tornillos, preperforados para fijar las abrazaderas a los lados del módulo de baterías. Cuando instale el módulo de baterías en el rack, asegúrese que el peso de la unidad esté uniformemente distribuido.

Montaje (Torre)

Seleccione modelos de módulos de baterías externas que soporten la instalación en torre. Para aumentar la estabilidad, Tripp Lite recomienda el uso del 2-9USTAND (vendido por separado). Asegure que la etiqueta de advertencia de orientación de la batería no esté viendo hacia arriba al instalar el módulo de baterías en orientación de torre. Siga las instrucciones incluidas con el 2-9USTAND para completar la instalación.

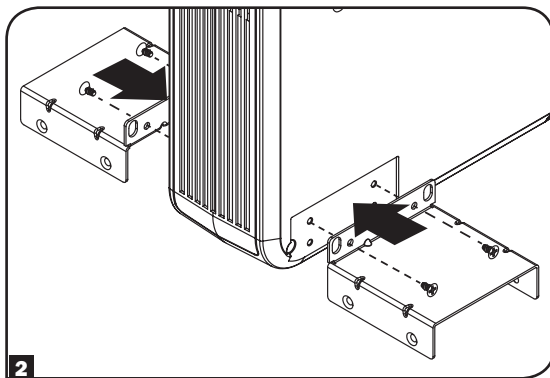
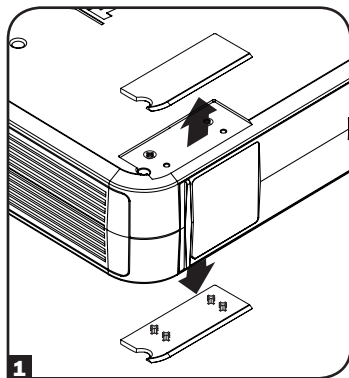
WARNING
DO NOT INSTALL PRODUCT
WITH THIS LABEL
FACING UP

"ADVERTENCIA"

*NO INSTALE EL PRODUCTO CON
ESTA ETIQUETA VIENDO HACIA
ARRIBA*

Instalación en Torre del BP24V15RT2U

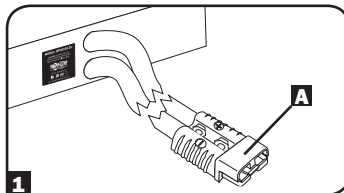
El BP24V15RT2U se mantendrá en posición de torre sin ayuda de los accesorios incluidos. Para aumentar la estabilidad, Tripp Lite recomienda retirar las cubiertas de los tornillos de cada lado inferior **1** y colocar los accesorios incluidos **2**. Antes de la instalación en cualquier posición, el usuario debe determinar que los accesorios y procedimientos sean los adecuados.



AVISO: Si las etiquetas de advertencia de la orientación de la batería están adheridas a ambos costados del módulo de baterías, solo permite instalación en rack.

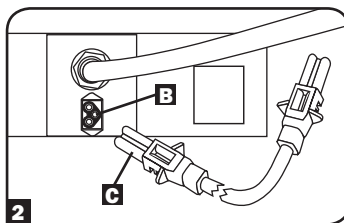
Conexión

- 1 Los bancos de baterías exclusivos tienen un enchufe polarizado **A** en un cordón de salida permanentemente conectado con el panel posterior. Simplemente conecte el cordón de salida directamente en el conector de la batería externa de su UPS. (Vea su manual del UPS para la descripción y ubicación del conector de la batería externa).



Nota: Generalmente, sólo uno de estos bancos de baterías está conectado con un UPS en un momento dado. Para un mayor tiempo de respaldo usar uno o más bancos de baterías de Tripp Lite con capacidad de encadenamiento.

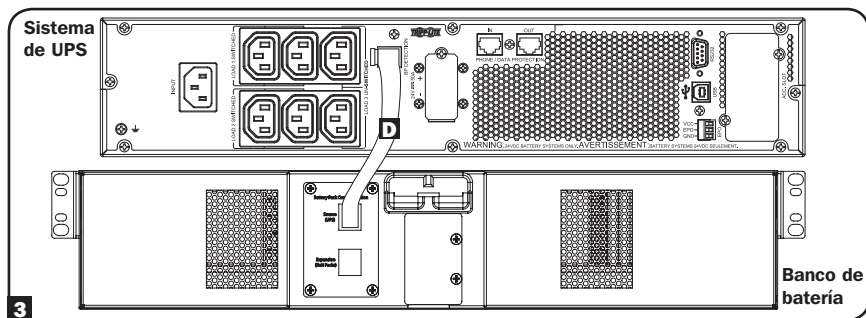
- 2 Módulos de baterías selectos cuentan con capacidad de encadenado para una autonomía extendida **B**. Para conectar a un UPS, inserte un extremo del cable incluido **C** en cualquier enchufe en la parte posterior del módulo de baterías y el otro extremo del cable en el conector externo para batería de su UPS. (Vea su manual del UPS para la descripción y ubicación del conector de la batería externa).



Para conectar varios bancos de baterías a un sólo UPS para proporcionar un tiempo de respaldo mucho mayor, conecte la salida del primer banco de baterías con el conector de la batería externa del UPS, y luego encadene los otros: conecte un enchufe de entrada/salida del segundo banco de baterías con un enchufe de entrada/salida del primero, un enchufe del tercero con un enchufe del segundo y así sucesivamente.

Nota: Una disposición de varios bancos de baterías proporcionará mayor tiempo de respaldo, pero también requerirá mayor tiempo de recarga.

- 3 Módulos de baterías selectos contienen un puerto para detección de batería externa en el panel posterior. Los módulos de baterías solo deben usarse con modelos de UPS anfitriones que proporcionen la misma funcionalidad. El UPS detectará automáticamente la batería externa una vez conectada con el cable de comunicación de la batería **D**. Consulte en el manual del UPS los modelos de módulos de baterías externas, los requisitos de configuración y limitaciones potenciales. Los módulos de baterías son para uso únicamente con sistemas UPS que soporten el cableado de detección de módulo de baterías externas (esta conexión no se requiere si el UPS no soporta esta característica).



Mantenimiento

Los bancos de baterías no requieren mantenimiento pero deben mantenerse secos en todo momento. Evite su instalación en lugares con mucho calor o humedad. Los bancos de baterías deben mantenerse completamente cargados mediante su conexión con un sistema UPS activo; no deben dejarse agotados. Las baterías que se dejan descargadas sufrirán una pérdida de capacidad permanente.

Solución de problemas

Hay un grupo de fusibles dentro de los bancos de baterías. Si se produce una fuerte sobrecarga o un cortocircuito, se abrirá (disparará) un fusible. Un banco de baterías con un fusible disparado no permitirá un voltaje de salida para ninguna carga. Un técnico calificado debe reemplazar los fusibles. Contacte con el Soporte al cliente de Tripp Lite para información adicional.

Reemplazo de batería interna

Eventualmente, las baterías de los bancos se agotarán y no podrán proporcionar tiempos de respaldo adecuados. Las baterías sólo deben ser reemplazadas por personal de servicio autorizado por la fábrica. Tripp Lite ofrece un programa de intercambio para clientes de América del Norte en el que puede intercambiar bancos de baterías agotados por bancos nuevos a un precio comparable al costo del reemplazo de una batería individual. Para más detalles, visite www.tripplite.com/support.

Almacenamiento

Desconecte el cable de alimentación de su banco de baterías antes de almacenarlo. Si planea almacenar su banco de baterías por un período prolongado de tiempo, recargue completamente sus baterías cada tres meses conectándolas a un UPS que esté conectado a una entrada de corriente alterna al menos durante 12 horas.

Servicio técnico

Su producto Tripp Lite está cubierto por la garantía descrita en este manual. Tripp Lite también pone a su disposición una variedad de Garantías extendidas y Programas de servicio técnico en el sitio. Si desea más información sobre el servicio técnico, visite www.tripplite.com/support. Antes de devolver su producto para servicio técnico, siga estos pasos:

1. Revise la instalación y los procedimientos de operación que se encuentran en este manual para asegurarse de que el problema de servicio no se debe a una mala lectura de las instrucciones.
2. Si el problema persiste, no se comunique ni devuelva el producto al mayorista. En cambio, visite www.tripplite.com/support.
3. Si el problema exige servicio técnico, visite www.tripplite.com/support y haga clic en el enlace Devoluciones de productos. Desde aquí puede solicitar un número de Autorización de Material Devuelto (RMA), que se necesita para el servicio técnico. En este sencillo formulario en línea se le solicitarán los números de serie y modelo de la unidad, junto con otra información general del comprador. El número RMA y las instrucciones para el envío se le enviarán por correo electrónico. La presente garantía no cubre ningún daño (directo, indirecto, especial o consecuencial) del producto que ocurra durante el envío a Tripp Lite o a un centro de servicio técnico de Tripp Lite autorizado. Los productos enviados a Tripp Lite o a un centro de servicio técnico de Tripp Lite autorizado deben tener prepagos los cargos de transporte. Escriba el número RMA en el exterior del embalaje. Si el producto se encuentra dentro del período de garantía, adjunte una copia de su recibo de venta. Envíe el producto para servicio técnico mediante un transportador asegurado a la dirección que se le proporcionó cuando solicitó el número RMA.

Garantía

Garantía limitada por 2 año

El vendedor garantiza este producto, si se usa de acuerdo con todas las instrucciones aplicables, de que está libre de defectos en material y mano de obra por un período de dos (2) años a partir la fecha de compra inicial. Si el producto prueba ser defectuoso en material o mano de obra dentro de ese período, el vendedor reparará o reemplazará el producto a su entera discreción.

ESTA GARANTÍA NO APLICA AL DESGASTE NORMAL O A DAÑOS RESULTANTES DE ACCIDENTES, MAL USO, ABUSO O NEGLIGENCIA. EL VENDEDOR NO OTORGA GARANTÍAS EXPRESAS DISTINTAS DE LA ESTIPULADA AQUÍ. EXCEPTO A LA EXTENSIÓN PROHIBIDA POR LA LEY APLICABLE, TODAS LAS GARANTÍAS IMPLÍCITAS, INCLUYENDO TODAS LAS GARANTÍAS DE COMERCIALIZACIÓN O IDONEIDAD, ESTÁN LIMITADAS EN DURACIÓN AL PERÍODO DE GARANTÍA ESTABLECIDO; Y ESTA GARANTÍA EXCLUYE EXPRESAMENTE TODOS LOS DAÑOS INCIDENTALES Y CONSECUENCIALES. (Algunos estados no permiten limitaciones en cuanto dura una garantía y algunos estados no permiten la exclusión de limitación de daños incidentales o consecuenciales, de modo que las limitaciones anteriores pueden no aplicar para usted. Esta garantía le otorga derechos legales específicos y usted puede tener otros derechos que pueden variar de una jurisdicción a otra).

ADVERTENCIA: Antes de usarlo, cada usuario debe tener cuidado de determinar si este dispositivo es adecuado o seguro para el uso previsto. Ya que las aplicaciones individuales están sujetas a gran variación, el fabricante no garantiza la adecuación de estos dispositivos para alguna aplicación específica.

Tripp Lite tiene una política de mejoramiento continua. Las especificaciones están sujetas a cambio sin previo aviso.



1111 W. 35th Street Chicago, IL 60609 USA • www.tripplite.com/support

Manuel de l'utilisateur

Packs de Batteries Externes Série BP

Non approprié aux applications mobiles.

Modules de batteries de 24 V	Modules de batteries de 36V	Modules de batteries de 48 V	Modules de batteries de 72 V
BP24V15RT2U, 14AH BP24V28-2U, 28AH BP24V36-2US, 36AH BP24V70-3U, 70AH	BP36V15-2U, 18AH BP36V42-3U, 21AH	BP48V24-2U, 18AH BP48V27-2US, 27AH BP48V48RT4U, 42AH BP48V60RT-3U, 42AH	BP72V15-2U, 15AH BP72V18-2US, 18AH BP72V28RT-3U, 28AH

Introduction	28
Consignes de Sécurité Importantes	28
Montage	30
Connexion	37
Maintenance	38
Garantie	39
English	1
Español	14
Русский	40



1111 W. 35th Street Chicago, IL 60609 USA • www.tripplite.com/support

© 2019 Tripp Lite. Tous droits réservés.

Introduction

Les Packs de Batteries Externes Série BP Tripp Lite sont conçus pour utilisation avec différents systèmes d'alimentation continue sans coupure Tripp Lite équipés de connecteurs de pack de batteries externes.

Consignes de Sécurité Importantes



CONSERVER CES INSTRUCTIONS

AVERTISSEMENT ! Les étagères de montage ne sont pas prévues pour supporter plus d'un pack de batteries. Ne pas empiler plusieurs packs de batteries sur un seul ensemble d'étagères de montage. Le non-respect de cet avertissement peut entraîner l'endommagement du produit et/ou un risque de blessures corporelles personnelles.

- **Prendre toutes précautions pour lever les packs de batteries. Du fait du poids considérable de tous les packs de batteries, au moins deux personnes doivent aider à leur levage et leur installation.**
- **S'assurer que vos packs de batteries et votre système d'alimentation continue sans coupure utilisent la même tension CC avant de les connecter.**
- **Utiliser uniquement un module de batteries externe Tripp Lite avec protection contre les surintensités. L'installation doit être confiée uniquement à du personnel d'entretien qualifié. Communiquez avec le service à la clientèle de Tripp Lite au 773 869-1234 pour connaître la batterie Tripp Lite appropriée à connecter.**
- **Les armoires de batteries externes en métal sont offertes avec un moyen de mise à la terre et d'équipotentialité pour des raisons de sécurité. Lorsque des batteries externes avec connecteur à 2 broches sont utilisées, s'assurer de lier le boîtier en métal de la batterie externe au boîtier en métal de l'onduleur. Les modules de batteries avec trois broches/un connecteur sont équipés d'une fiche de mise à la terre. Les boîtiers en plastique n'ont pas à être liés. Voir ci-dessous pour les exigences en matière de sangle de mise à la terre.**

Modules de batteries de 24 V

BP24V15RT2U : Boîtier en plastique, donc aucune sangle de mise à la terre n'est requise.

BP24V28-2U : Sangle de mise à la terre de 12 AWG

BP24V36-2US : Sangle de mise à la terre de 12 AWG

BP24V70-3U : Sangle de mise à la terre de 12 AWG

Modules de batteries de 36V

BP36V15-2U : Sangle de mise à la terre de 12 AWG

BP36V42-3U : Sangle de mise à la terre de 12 AWG

Modules de batteries de 48 V

BP48V24-2U : Sangle de mise à la terre de 12 AWG

BP48V27-2US : Sangle de mise à la terre de 12 AWG

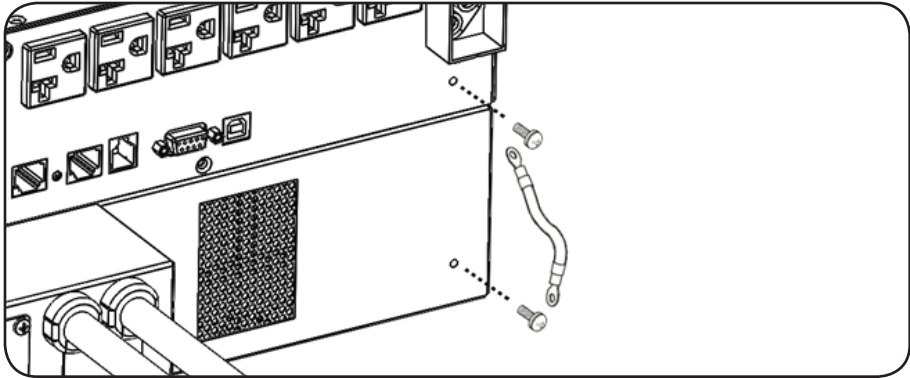
BP48V48RT4U : Sangle de mise à la terre de 12 AWG

BP48V60RT-3U : Sangle de mise à la terre de 12 AWG

Remarque: Le connecteur de la batterie sur des modules de batteries de 72 V comporte une fiche de mise à la terre, donc aucune sangle de mise à la terre supplémentaire n'est requise.

Consignes de Sécurité Importantes

Fixer solidement en place la sangle de mise à la terre fournie à l'onduleur comme illustré ci-dessous:



- **Il est déconseillé d'utiliser cet équipement dans des applications médicales où une panne de cet équipement pourrait provoquer la panne de l'équipement de survie ou altérer notablement sa sécurité ou son efficacité. Ne pas utiliser cet équipement en présence d'un mélange anesthésique inflammable avec de l'air, de l'oxygène ou de l'oxyde nitreux.**
- Les procédures de montage conseillées sont pour les types de baie ordinaires et peuvent ne pas être appropriées pour toutes les configurations de baie. L'utilisateur doit déterminer l'aptitude de la baie, du matériel de montage mural, et des procédures avant le montage.
- Lors de la connexion de plusieurs packs de batteries à un seul système d'alimentation continue sans coupure, les packs de batteries doivent avoir approximativement le même âge.
- Il est normal que des étincelles se produisent lors de la connexion de batteries externes.
- Ne pas débrancher les batteries externes du système d'alimentation continue sans coupure quand il fonctionne sur l'alimentation de la batterie, en raison de la possibilité d'amorçage d'arc dangereux.
- Parce que les batteries présentent un risque de choc électrique et de courant de court-circuit élevé, prenez les précautions nécessaires. Ne pas jeter les batteries au feu. Ne pas ouvrir les batteries. Ne pas établir de court-circuit ou de pont entre les bornes de la batterie avec un quelconque objet. Débrancher et éteindre l'UPS avant de remplacer la batterie. Le remplacement de la batterie doit être confié à du personnel de service qualifié. Utiliser des outils ayant des poignées isolées et remplacer les batteries existantes par des batteries neuves du même numéro et du même type (batterie sans entretien). Les batteries UPS sont recyclables. Consultez les codes locaux concernant les exigences d'élimination des déchets ou visiter <http://www.tripplite.com/support/recycling-program> pour information de recyclage. Tripp Lite offre une gamme complète de cartouches de batterie de remplacement de système UPS (R.B.C.). Rendez visite à Tripp Lite sur le Web à <http://www.tripplite.com/products/battery-finder/> pour trouver la batterie de remplacement spécifique à votre UPS.

Montage (Baie)

Monter votre pack de batteries à montage dans baie dans une baie à 4 supports ou 2 supports ou une enceinte de baie (Consulter la page 24 pour le montage avec 2 montants). L'utilisateur doit déterminer l'aptitude du matériel et des procédures avant le montage. Si le matériel et les procédures ne sont pas appropriés pour votre application, contacter le fabricant de votre baie ou de votre enceinte de baie. Les procédures décrites dans ce manuel sont pour les types de baie et d'enceinte de baie ordinaires et peuvent ne pas être appropriées pour toutes les applications.

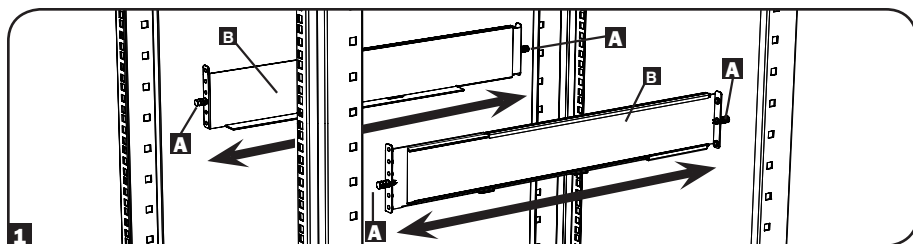
Montage à 4 supports

La plupart des blocs batteries sont livrés avec le matériel nécessaire au montage sur 4 postes. Si ce n'est pas le cas de votre unité, vous pouvez commander un kit d'étagère réglable pour montage sur bâti 4 postes (modèle 4POSTRAILKIT) directement auprès.

- 1 Les chevilles en plastique **A** supporteront temporairement les étagères rackmount vides **B** pendant que vous installez le matériel de support permanent. Insérer une cheville près du centre du support de montage avant et arrière de chaque étagère comme montré. (Chaque support de montage avant a 6 trous et chaque support de montage arrière a 3 trous.) Les chevilles s'enclencheront.

Après avoir installé les chevilles, agrandir chaque étagère pour appairier la profondeur les rails de votre armoire. Les chevilles passeront à travers les trous rectangulaires dans les rails d'armoire pour supporter les étagères. Se référer aux étiquettes de l'armoire pour confirmer que les étagères sont bien nivelées dans toutes les directions.

Remarque : Le rebord de support de chaque étagère doit faire face à l'intérieur.

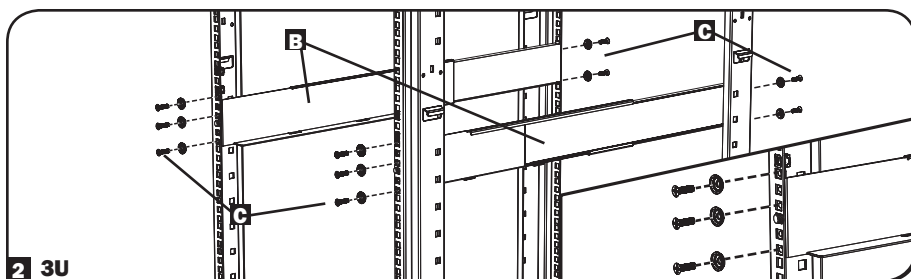
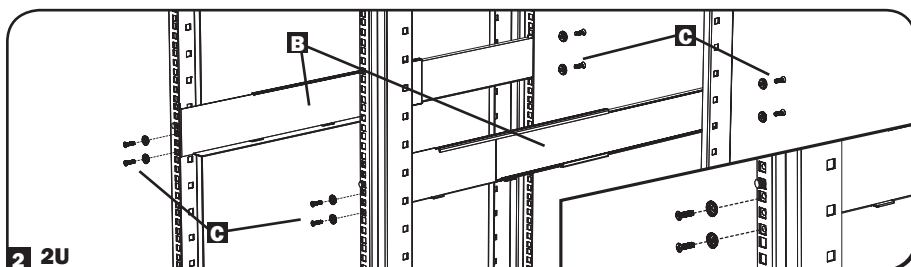


Montage (Baie)

- 2** Attacher les étagères **B** aux rails de support de manière permanente en utilisant les vis et les rondelles cuvettes **C** incluses.
- Pour le montage du matériel 2U, placer 4 vis en tout à l'avant et 4 vis en tout à l'arrière.
 - Pour le montage du matériel 3U, placer 6 vis en tout à l'avant et 4 vis en tout à l'arrière.

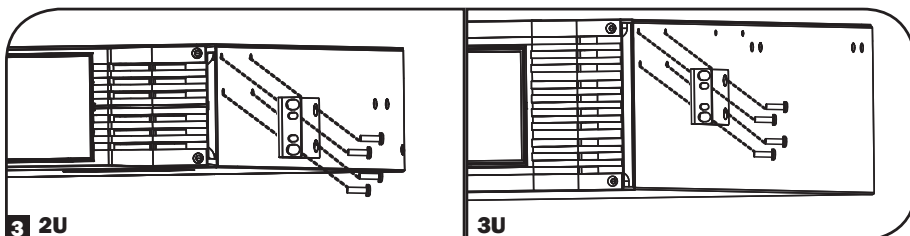
Bien serrer toutes les vis avant de continuer.

Avertissement : Ne pas essayer d'installer votre matériel jusqu'à ce que vous ayez inséré et bien serré toutes les vis nécessaires. Les chevilles en plastique ne supporteront pas le poids de votre matériel.

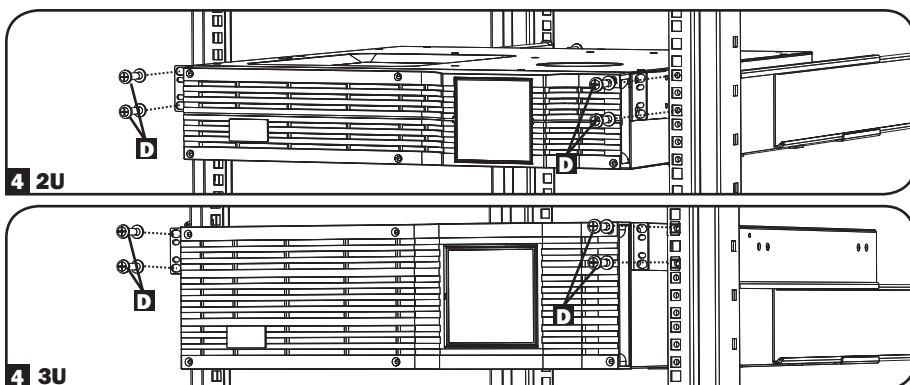


Montage (Baie)

- 3** Attacher les supports de votre matériel aux trous de montage avant du module à l'aide de la ferrure incluse avec votre matériel. Les « oreilles » du support de fixation devraient faire face vers l'avant. (Du matériel peut avoir des supports de fixation intégrés ou préinstallés.)



- 4** Faites appel à un aide (au besoin), pour soulever votre matériel et le glisser sur les étagères. Attacher les supports de fixation du matériel aux rails de support avant avec les vis et les rondelles fournies par l'utilisateur **D**. Serrer solidement toutes les vis.

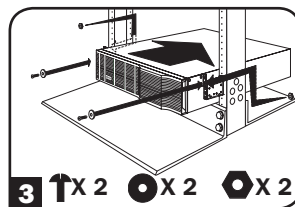
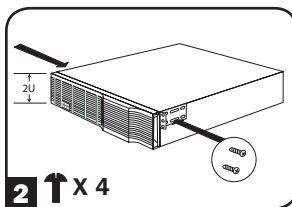
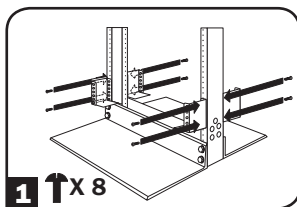


Montage (Baie)

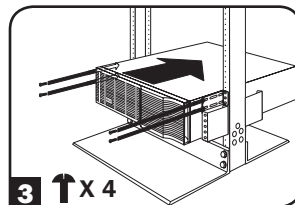
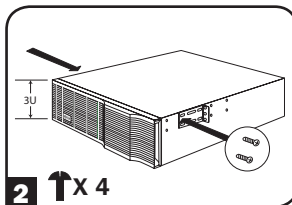
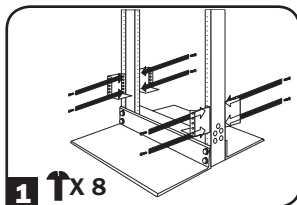
Montage à 2 supports (Telecom)

Pour installer des blocs batteries à montage sur bâti sur des bâtis 2 postes, vous devez disposer d'un kit d'installation pour montage sur bâti 2 postes de Tripp Lite (modèle 2POSTRMKITWM ou 2POSTRMKITHD). Si votre unité est livrée sans ce kit, il est possible de le commander directement auprès. Reportez-vous aux illustrations ci-dessous pour découvrir les consignes d'installation spécifiques des blocs batteries 2U, 3U et 4U.

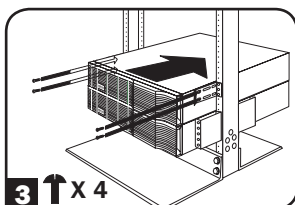
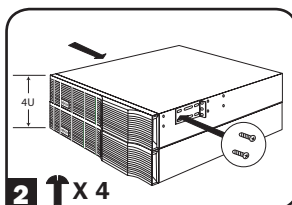
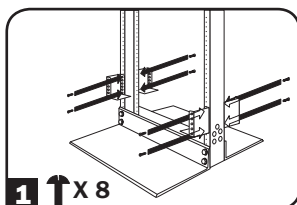
2U



3U



4U

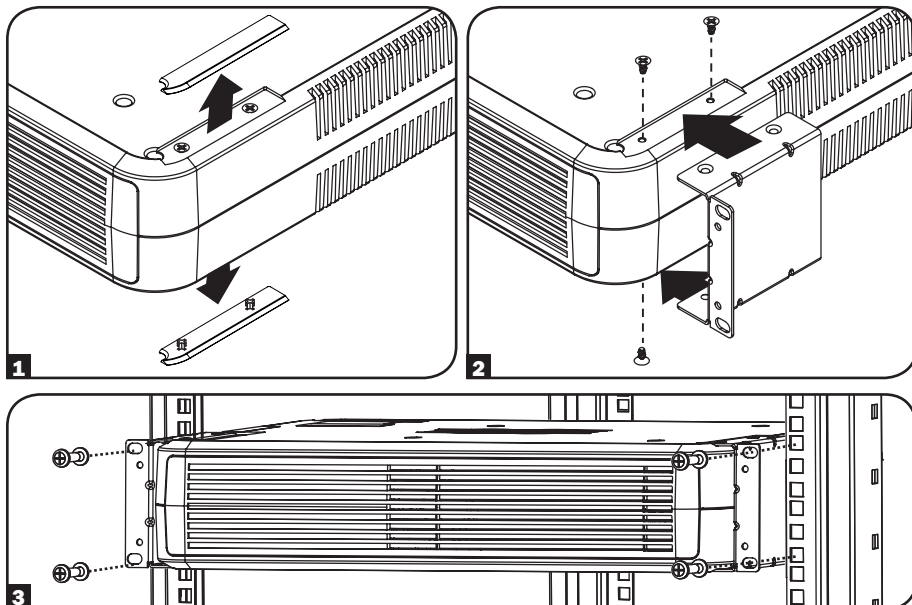


Important : ces illustrations présentent les configurations d'installation les plus fréquentes ; votre modèle peut être différent. Utilisez uniquement les avant-trous pour fixer les supports de montage sur les côtés du bloc batterie. Lors de l'installation des blocs batteries sur le bâti, assurez-vous que le poids de l'unité est uniformément réparti.

Montage (Baie)

BP24V15RT2U Montage à 4 montants

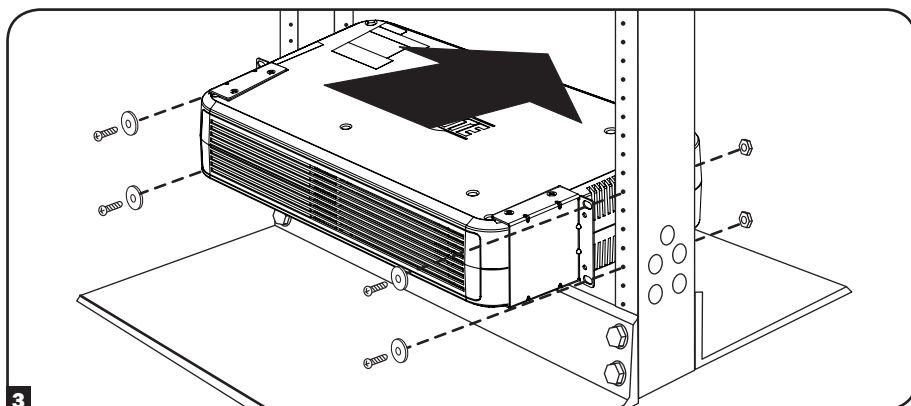
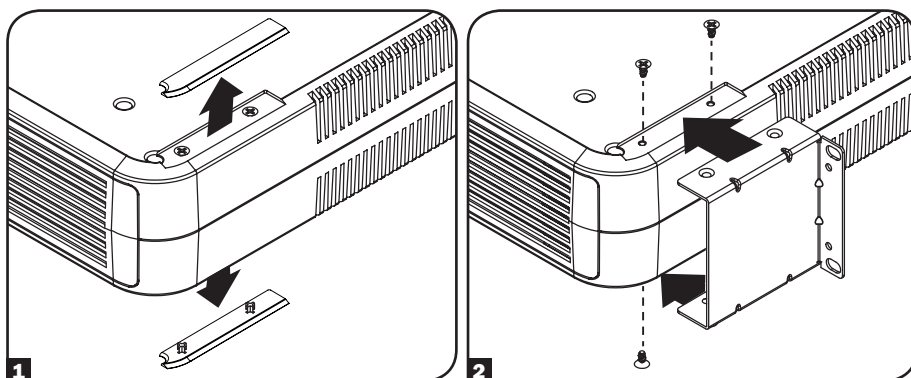
Pour installer le module de batteries externes BP24V15RT2U dans un bâti à 4 montants, retirer les couvercles des trous de montage des côtés supérieur et inférieur du module de batteries **1**. Pour installer le module de batteries dans un bâti à 4 montants, fixer les oreilles de montage à chaque côté de l'onduleur en utilisant la quincaillerie incluse **2**. Avec l'aide d'un assistant, soulever le module de batteries et le fixer à un bâti standard avec la quincaillerie fournie par l'utilisateur **3**.



Montage (Baie)

BP24V15RT2U Montage à 2 montants

Pour installer le module de batteries externes BP24V15RT2U dans un bâti à 2 montants, retirer les couvercles des trous de montage des côtés supérieur et inférieur du module **1**. Fixer les oreilles de montage à chaque côté de l'onduleur en utilisant la quincaillerie incluse **2**. Avec l'aide d'un assistant, soulever le module de batteries et le fixer à un bâti standard avec la quincaillerie fournie par l'utilisateur **3**.



Important : ces illustrations présentent les configurations d'installation les plus fréquentes ; votre modèle peut être différent. Utilisez uniquement les avant-trous pour fixer les supports de montage sur les côtés du bloc batterie. Lors de l'installation des blocs batteries sur le bâti, assurez-vous que le poids de l'unité est uniformément réparti.

Montage (Tour)

Certains modèles de modules de batteries prennent en charge le montage en tour. Pour une stabilité accrue, Tripp Lite recommande d'utiliser le 2-9USTAND (vendu séparément). S'assurer que l'étiquette d'avertissement sur l'orientation des batteries n'est pas pointée vers le haut au moment d'installer le module de batterie en tour. Suivre les instructions incluses avec le 2-9USTAND pour terminer l'installation.

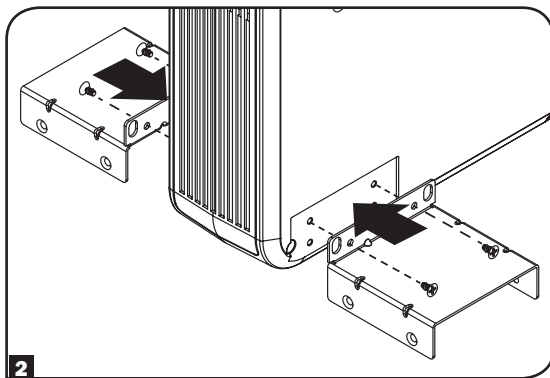
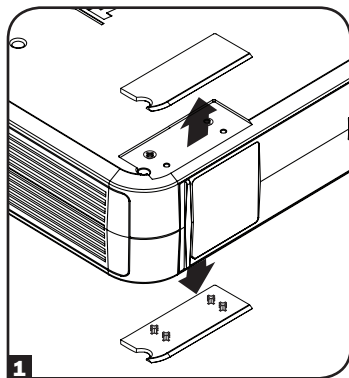
WARNING
DO NOT INSTALL PRODUCT
WITH THIS LABEL
FACING UP

« AVERTISSEMENT »

NE PAS INSTALLER LE PRODUIT
AVEC CETTE ÉTIQUETTE POINTÉE
VERS LE HAUT

BP24V15RT2U Montage en tour

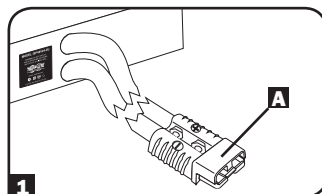
Le BP24V15RT2U sera logé dans une position en tour sans l'aide de la quincaillerie incluse. Pour une stabilité accrue, Tripp Lite recommande de retirer les couvercles des vis de chacun des côtés **1** et de fixer la quincaillerie incluse **2**. Dans l'une ou l'autre position, l'utilisateur doit déterminer l'aptitude de la quincaillerie et des procédures avant l'installation.



AVIS : Si les étiquettes d'avertissement sur l'orientation des batteries sont apposées sur les deux côtés du module de batteries, il ne peut prendre en charge que l'installation en bâti.

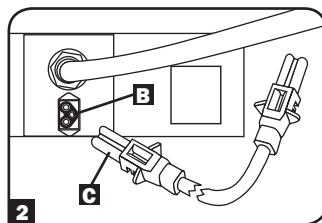
Connexion

- 1 Les packs de batteries de sélection ont une prise polarisée **A** sur un cordon de sortie connecté en permanence au panneau arrière. Brancher simplement le cordon de sortie directement dans le connecteur de batterie externe de votre système d'alimentation continue sans coupure. (Voir le manuel de votre système d'alimentation continue sans coupure pour la description et l'emplacement du connecteur de batterie externe).



Remarque : *Qu'un seul de ces packs de batteries est en règle générale connecté à un système d'alimentation continue sans coupure à un moment. Pour un temps de fonctionnement plus long, utiliser un ou plusieurs packs de batteries Tripp Lite avec capacité de chaînage.*

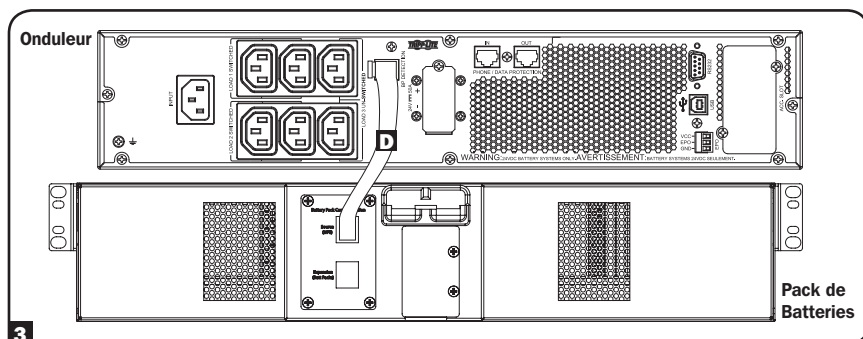
- 2 Certains modules de batteries comprennent une fonctionnalité de connexion en guirlande pour une durée de fonctionnement accrue **B**. Pour brancher à un onduleur, insérer une extrémité du câble attaché **C** dans une prise à l'arrière du module de batteries et l'autre extrémité du câble dans le connecteur externe de la batterie de l'onduleur. (Voir votre manuel de système d'alimentation continue sans coupure pour la description et l'emplacement du connecteur de batterie externe.) Pour connecter plusieurs packs de batteries à un seul système d'alimentation continue sans coupure afin d'obtenir une durée de fonctionnement beaucoup plus longue, connecter la sortie du premier pack de batteries au connecteur de batterie externe du système d'alimentation continue sans coupure, puis "chaîner" les autres : connecter une prise entrée/sortie sur le deuxième pack de batterie à une prise entrée/sortie sur le premier, une prise sur le troisième à une prise sur le second, et ainsi de suite.



Remarque : *Plusieurs rangées de packs de batteries assureront des durées de fonctionnement plus longues, mais nécessiteront aussi des temps de recharge plus longs.*

- 3 Certains blocs de batteries comportent un port de détection de batterie externe sur le panneau arrière. Les blocs de batteries ne devraient être utilisés qu'avec des modèles d'onduleurs hôtes qui offrent la même fonctionnalité. L'onduleur détectera automatiquement la batterie externe au moment de la connexion avec le câble de communication de la batterie **D**. Consulter le manuel de l'onduleur pour les modèles de bloc de batteries compatibles, les exigences de la configuration et les limites potentielles. Les blocs de batteries doivent être utilisés seulement avec les onduleurs prenant en charge le câblage de détection de bloc de batteries (cette connexion n'est pas requise si l'onduleur ne prend pas en charge cette fonctionnalité).

Connexion



Maintenance

Les packs de batteries ne nécessitent pas de maintenance, mais doivent rester secs en permanence. Éviter toute installation dans des lieux exposés à des hautes températures et/ou un degré d'humidité élevé. Les packs de batteries doivent rester complètement chargés en étant connectés à un système d'alimentation continue sans coupure actif, et non en condition d'épuisement. Les batteries laissées en condition déchargée subiront une perte permanente de capacité.

Dépannage

Une rangée de fusibles se trouve à l'intérieur des packs de batteries. Si une forte surcharge ou un court-circuit se produit, un fusible s'ouvrira (fondu). Un pack de batteries avec un fusible fondu ne délivrera aucune tension de sortie pour toute charge. Un technicien qualifié doit remplacer les fusibles. Contacter l'Assistance Technique Clients Tripp Lite pour toutes informations complémentaires.

Remplacement de batterie interne

Les batteries dans les packs de batteries seront finalement usées et incapables d'assurer des temps d'alimentation de secours adéquats. Les batteries doivent être remplacées seulement par le personnel d'entretien agréé en usine. Tripp Lite offre un programme d'échange aux clients Nord-Américains aux lieux où ils peuvent échanger des packs de batteries usés contre des neufs à un prix comparable à celui du remplacement de batterie individuelle. Pour plus de détails, visitez www.tripplite.com/ support.

Stockage

Déconnecter le câble d'alimentation électrique de votre pack de batterie avant le stockage. Si vous projetez de stocker votre pack de batteries pendant une longue période de temps, recharger complètement ses batteries tous les trois mois en le connectant à un système d'alimentation continue sans coupure qui est branché à une entrée CA pendant au moins 12 heures.

Maintenance

Entretien

Votre produit Tripp Lite est couvert par la garantie décrite dans ce manuel. Une variété de garanties prolongées et de programmes de service sur place sont également disponibles chez Tripp Lite. Pour plus de renseignements sur le service, visitez www.tripplite.com/support. Avant de retourner votre produit pour entretien ou réparation, suivez les étapes suivantes :

1. Relisez les directives d'installation et de fonctionnement de ce manuel afin de vous assurer que le problème n'a pas pour origine une mauvaise lecture des directives.
2. Si le problème persiste, ne pas communiquer ou renvoyer le produit au vendeur. À la place, visitez www.tripplite.com/support.
3. Si le problème nécessite une réparation, visitez www.tripplite.com/support et cliquez sur le lien Product Returns (retour du produit). De cet endroit, vous pouvez demander un numéro d'autorisation de retour de matériel (RMA) qui est exigé pour une réparation. Ce formulaire en ligne simple vous demandera le numéro de modèle et le numéro de série de votre unité ainsi que d'autres renseignements généraux concernant l'acheteur. Le numéro RMA, ainsi que les instructions concernant le transport vous seront acheminées par courriel. Tout dommage (direct, indirect, spécial ou fortuit) survenu au produit pendant le transport à Tripp Lite ou à un centre de service autorisé Tripp Lite est exclu de la garantie. Les produits expédiés à Tripp Lite ou à un centre de service autorisé doivent être prépayés. Inscrivez le numéro RMA sur le paquet. Si le produit est encore couvert par la garantie de deux ans, joindre une copie de votre facture d'achat. Retourner le produit pour réparation par un transporteur assuré à l'adresse qui vous a été donnée lorsque vous avez demandé le RMA.

Garantie

Garantie limitée de 2 ans

Le vendeur garantit que ce produit, s'il est utilisé conformément à toutes les instructions applicables, est exempt de tous défauts de matériaux et de fabrication pour une période de deux (2) ans à partir de la date d'achat initiale. Si le produit s'avère défectueux en raison d'un vice de matériaux ou de fabrication au cours de cette période, le vendeur s'engage à réparer ou remplacer le produit, à sa seule discrétion.

CETTE GARANTIE NE S'APPLIQUE PAS À L'USURE NORMALE OU AUX DOMMAGES RÉSULTANT D'UN ACCIDENT, D'UNE MAUVAISE UTILISATION, D'UN ABUS OU D'UNE NÉGLIGENCE. LE VENDEUR NE DONNE AUCUNE GARANTIE EXPRESSE AUTRE QUE LA GARANTIE EXPRESSÉMENT DÉCRITE DANS LE PRÉSENT DOCUMENT. SAUF DANS LA MESURE INTERDITE PAR LA LOI APPLICABLE, TOUTE GARANTIE IMPLICITE, Y COMPRIS TOUTES LES GARANTIES DE QUALITÉ MARCHANDE OU D'ADAPTATION, SONT LIMITÉES À LA PÉRIODE DE GARANTIE CI-DESSUS ET CETTE GARANTIE EXCLUT EXPRESSÉMENT TOUTS DOMMAGES DIRECTS ET INDIRECTS. (Certains États ne permettent pas de limitations sur la durée d'une garantie implicite, et certains États ne permettent pas l'exclusion ou la limitation des dommages fortuits ou consécutifs, de sorte que les limitations ou exclusions susmentionnées peuvent ne pas s'appliquer à vous. Cette garantie vous donne des droits légaux spécifiques, et vous pouvez avoir d'autres droits qui varient selon la juridiction).

AVERTISSEMENT : L'utilisateur individuel doit prendre soin de déterminer avant l'utilisation si cet appareil est approprié, adéquat et sûr pour l'usage prévu. Puisque les utilisations individuelles sont sujettes à des variations importantes, le fabricant ne fait aucune déclaration ou garantie quant à l'aptitude ou l'adaptation de ces dispositifs pour une application spécifique.

La politique de Tripp Lite en est une d'amélioration continue. Les spécifications sont sujettes à changement sans préavis.



1111 W. 35th Street Chicago, IL 60609 USA • www.tripplite.com/support

Руководство пользователя

Внешние блоки батарей серии BP

Целесообразно для передвижных применений.

Блоки аккумуляторных батарей на 24 В	Блоки аккумуляторных батарей на 36 В	Блоки аккумуляторных батарей на 48 В	Блоки аккумуляторных батарей на 72 В
BP24V15RT2U, 14AH BP24V28-2U, 28AH BP24V36-2US, 36AH BP24V70-3U, 70AH	BP36V15-2U, 18AH BP36V42-3U, 21AH	BP48V24-2U, 18AH BP48V27-2US, 27AH BP48V48RT4U, 42AH BP48V60RT-3U, 42AH	BP72V15-2U, 15AH BP72V18-2US, 18AH BP72V28RT-3U, 28AH

Введение	41
Важные инструкции по технике безопасности	41
Монтаж	43
Подключение	50
Техническое обслуживание	51
Гарантийные обязательства	52
English	1
Español	14
Français	27



Продукция высшего качества.

1111 W. 35th Street Chicago, IL 60609 USA • www.tripplite.com/support

© 2019 Tripp Lite. Все права защищены.

Введение

Внешние блоки аккумуляторных батарей Tripp Lite серии BP рассчитаны на использование с различными ИБП марки Tripp Lite, имеющими разъемы для подключения таких внешних блоков.

Важные инструкции по технике безопасности



Сохраните эти инструкции

ПРЕДУПРЕЖДЕНИЕ! Монтажные полки не рассчитаны на установку более чем одного блока батарей. Не ставьте два или более блоков батарей на один комплект монтажных полок. Несоблюдение этой инструкции может привести к повреждению изделия и/или риску получения травмы.

- Будьте осторожны при поднятии блоков батарей. Так как все блоки батарей обладают значительным весом, как минимум двое человек должны помогать при их поднятии и монтаже.
- Перед подключением убедитесь в том, что Ваши блоки батарей и источник бесперебойного питания (ИБП) рассчитаны на одинаковое напряжение постоянного тока.
- Используйте только внешние блоки аккумуляторных батарей марки Tripp Lite с защитой от перегрузок по току. Установка должна осуществляться только квалифицированным сервисным персоналом. За информацией о подходящих блоках аккумуляторных батарей марки Tripp Lite обращайтесь в службу технической поддержки компании Tripp Lite по тел. 773.869.1234.
- В целях безопасности металлические корпуса внешних блоков аккумуляторных батарей оснащены средствами защитного уравнивания потенциалов. При использовании внешних батарей с 2-контактным разъемом следует обязательно соединить металлический корпус внешней батареи с металлическим корпусом ИБП. 3-контактные/проводные блоки аккумуляторных батарей оснащены разъемом с заземляющим соединительным элементом. Пластмассовые корпуса не требуют соединения. Требования к шине заземления см. ниже:

Блоки аккумуляторных батарей на 24 В

BP24V15RT2U: пластмассовый корпус шина заземления не требуется.

BP24V28-2U: требуется шина заземления калибра 12 AWG

BP24V36-2US: требуется шина заземления калибра 12 AWG

BP24V70-3U: требуется шина заземления калибра 12 AWG

Блоки аккумуляторных батарей на 36 В

BP36V15-2U: требуется шина заземления калибра 12 AWG

BP36V42-3U: требуется шина заземления калибра 12 AWG

Блоки аккумуляторных батарей на 48 В

BP48V24-2U: требуется шина заземления калибра 12 AWG

BP48V27-2US: требуется шина заземления калибра 12 AWG

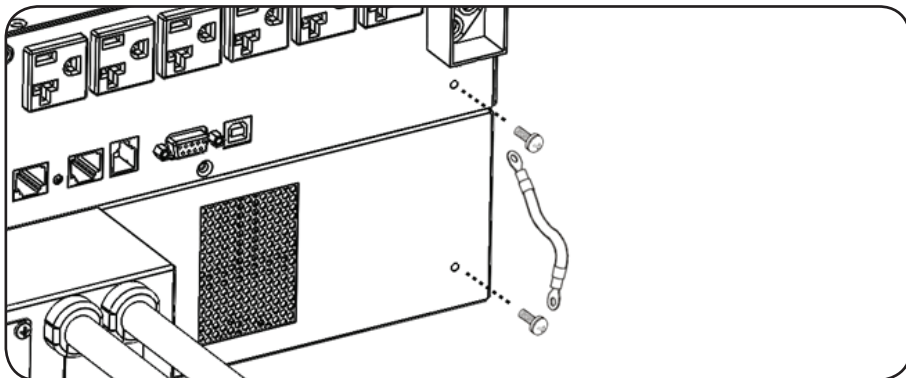
BP48V48RT4U: требуется шина заземления калибра 12 AWG

BP48V60RT-3U: требуется шина заземления калибра 12 AWG

Примечание. Разъем батареи в батарейных блоках на 72 В имеет встроенный соединительный разъем заземления, в связи с чем наличия дополнительной шины заземления не требуется.

Важные инструкции по технике безопасности

Надежно прикрепите поставляемую в комплекте шину заземления к корпусу ИБП, как показано на приведенном ниже рисунке:



- **Не рекомендуется использовать данное оборудование в системах жизнеобеспечения в тех случаях, когда его сбой с большой вероятностью приведет к сбою оборудования жизнеобеспечения или значительному снижению его безопасности или эффективности. Запрещается использовать данное оборудование при наличии воспламеняющихся смесей анестетических газов с воздухом, кислородом или закисью азота.**
- Порядок установки описан для наиболее распространенных видов стеллажей и может оказаться неприменимым для стеллажных конструкций других конфигураций. Перед началом монтажа следует проверить пригодность компонентов стеллажа и настенного крепления.
- При подключении нескольких блоков батарей к одному ИБП подбирайте батареи бывшие в эксплуатации приблизительно одинакового времени.
- Появление искр при подключении внешних батарей не является признаком неисправности.
- Не отключайте внешние аккумуляторные батареи от ИБП, когда он работает на энергии аккумулятора, так как существует вероятность возникновения опасного разряда.
- Батареи представляют угрозу поражения электрическим током и возгорания от большого тока при коротком замыкании. Следует соблюдать определенные меры предосторожности. Не бросать батареи в огонь. Не открывать ИБП или батареи. Не замыкать и не соединять клеммы батареи никакими предметами. Перед заменой батареи отключить и отсоединить ИБП от сети и нагрузки. Использовать инструмент с изолированными рукоятками. В ИБП нет компонентов, требующих обслуживания пользователем. Замена батарей должна выполняться только уполномоченным специалистом с использованием батарей того же типа и в том же количестве (герметизированная свинцово-кислотная батарея). Батареи подлежат переработке для использования вторичного сырья. Требования по утилизации описаны в местном законодательстве или на сайте www.tripplite.com/UPSbatteryrecycling. Компания Tripp Lite предоставляет полную линейку сменных блоков батарей для ИБП. Для поиска конкретной сменной батареи для своего ИБП посетите веб-сайт компании Tripp Lite по адресу <http://www.tripplite.com/products/battery-finder/>

Монтаж (Стеллаж)

Блок батарей, предназначенный для монтажа на стойке, может быть установлен на стойку с 2 или 4 опорами или на корпусный стеллаж (в случае монтажа однорамной стойки см. стр. 33). Перед началом установки следует проверить наличие необходимых деталей и предлагаемый порядок действий. Если наличные детали или последовательность действий не подходят для Вашего случая, свяжитесь с производителем стойки или корпусного стеллажа. Описанные в данном руководстве действия по установке относятся к обычным видам стоек и стеллажей и могут быть непригодными для некоторых случаев.

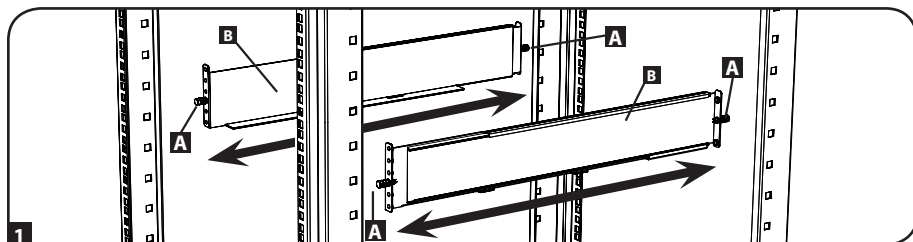
Монтаж на стойке с 4 опорами

Большинство внешних аккумуляторных источников питания включают крепежные детали, необходимые для 4-точечного монтажа. Если такие крепежные детали отсутствуют в комплекте поставки Вашего устройства, можно отдельно заказать в Tripp Lite набор для 4-точечного монтажа в стойке с регулировкой положения (модель 4POSTRAILKIT).

- 1** Поставляемые в комплекте пластмассовые штифты **A** временно поддерживают ненагруженные полки шкафа **B** во время установки монтажных приспособлений постоянного назначения. Вставьте штифт вблизи центра переднего и заднего кронштейнов каждой полки, как показано на рисунке. (Все передние кронштейны имеют по 6 отверстий, а все задние – по 3 отверстия). Штифты фиксируются на своих местах щелчком.

После установки штифтов расширьте каждую полку на глубину направляющих вашего шкафа. Штифты будут проходить через квадратные отверстия в направляющих шкафа и поддерживать полки на соответствующих уровнях. Для обеспечения ровной установки полок во всех направлениях см. маркировку на панелях шкафа.

Примечание. Опорный выступ каждой полки должен быть направлен внутрь.



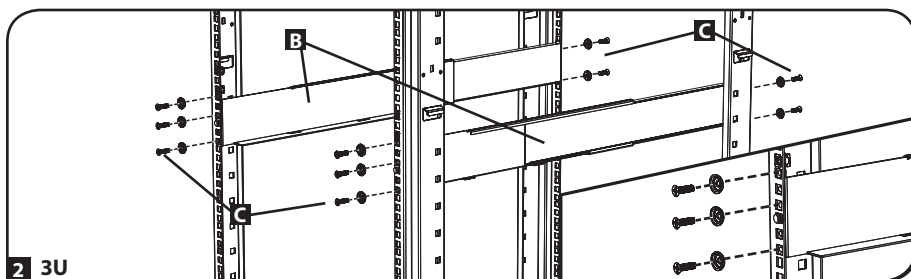
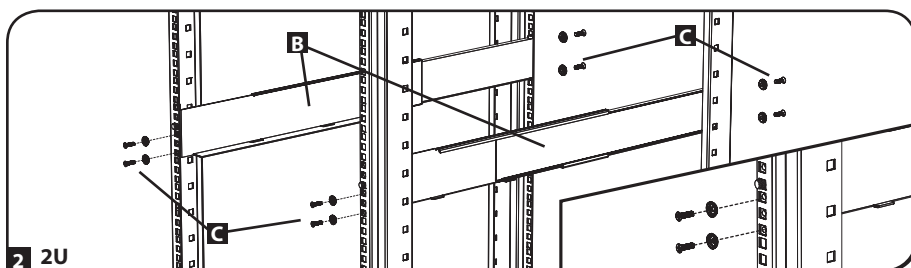
Монтаж (Стеллаж)

2 Прикрепите полки **B** к монтажным направляющим стационарным образом с помощью входящих в комплект поставки винтов и чашеобразных шайб **C**, как показано на рисунке.

- В случае монтажа оборудования размером 2U установите 4 винта спереди и 4 винта сзади.
- В случае монтажа оборудования размером 3U установите 6 винтов спереди и 4 винта сзади.

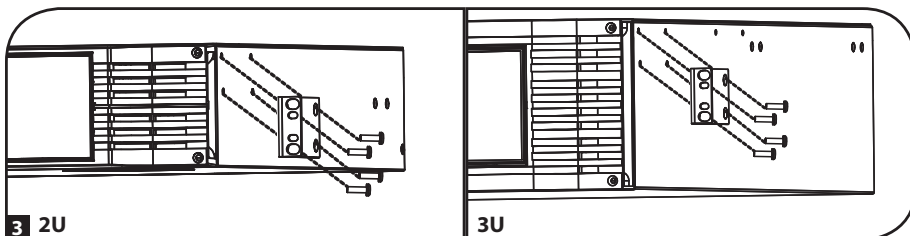
Перед продолжением процесса затяните все винты.

Внимание! Не устанавливайте оборудование до тех пор, пока не будут ввернуты изатянуты все требуемые винты. Пластмассовые штифты не рассчитаны на удержание веса вашего оборудования.

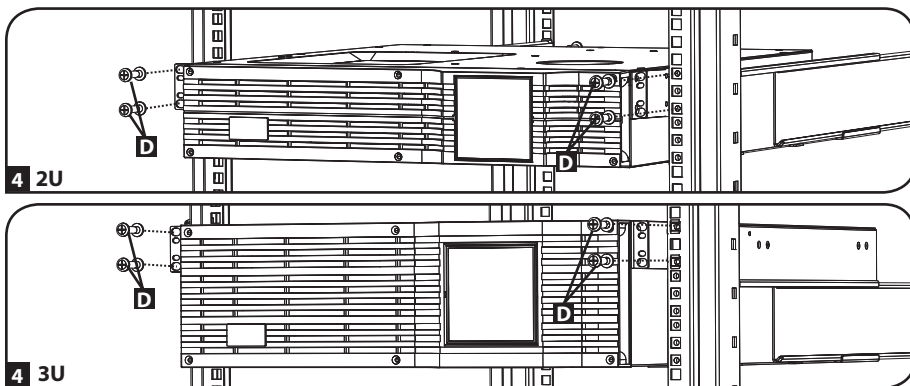


Монтаж (Стеллаж)

- 3** Закрепите монтажные кронштейны вашего оборудования в передних монтажных отверстиях шкафа с помощью крепежных деталей, входящих в комплект поставки вашего оборудования. "Язычки" монтажных кронштейнов должны быть направлены вперед. (Некоторые виды оборудования могут иметь монтажные кронштейны, установленные на заводе-изготовителе или встроенные в конструкцию устройства).



- 4** С помощью другого сотрудника (в случае необходимости) поднимите устанавливаемое оборудование и задвиньте его в полки. Прикрепите монтажные кронштейны оборудования к передним монтажным направляющим с помощью винтов и шайб **D**, не входящих в комплект. Плотно затяните все винты.

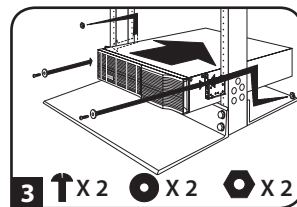
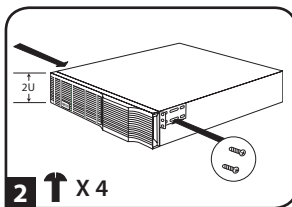
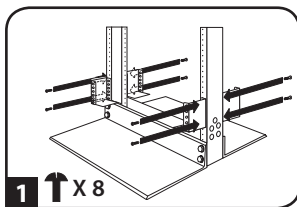


Монтаж (Стеллаж)

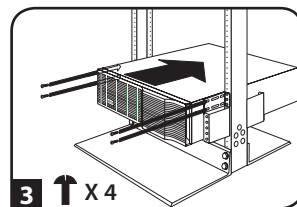
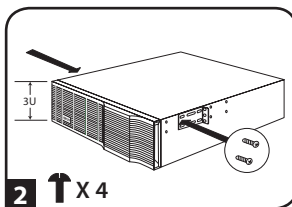
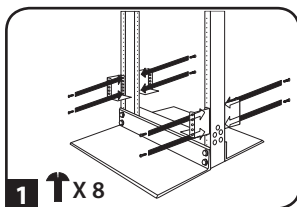
Монтаж на стойке с 2 опорами (Telecom)

Для установки аккумуляторных источников питания в стойку с 2-точечным монтажом потребуется монтажный набор Tripp Lite для 2-точечного монтажа в стойку (модель 2POSTRMKITWM или 2POSTRMKITHD). Если такой набор отсутствует в комплекте поставки Вашего устройства, его можно заказать отдельно в Tripp Lite. См. на нижеприведенных иллюстрациях конкретные инструкции по монтажу для аккумуляторных источников питания, охватывая диапазон размеров 2U, 3U и 4U.

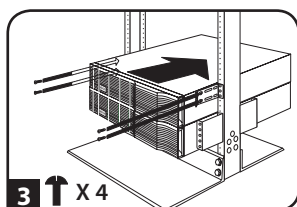
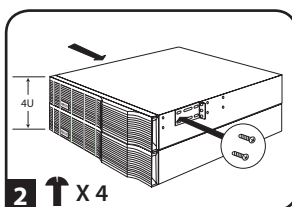
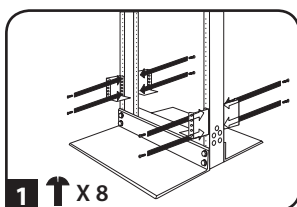
2U



3U



4U

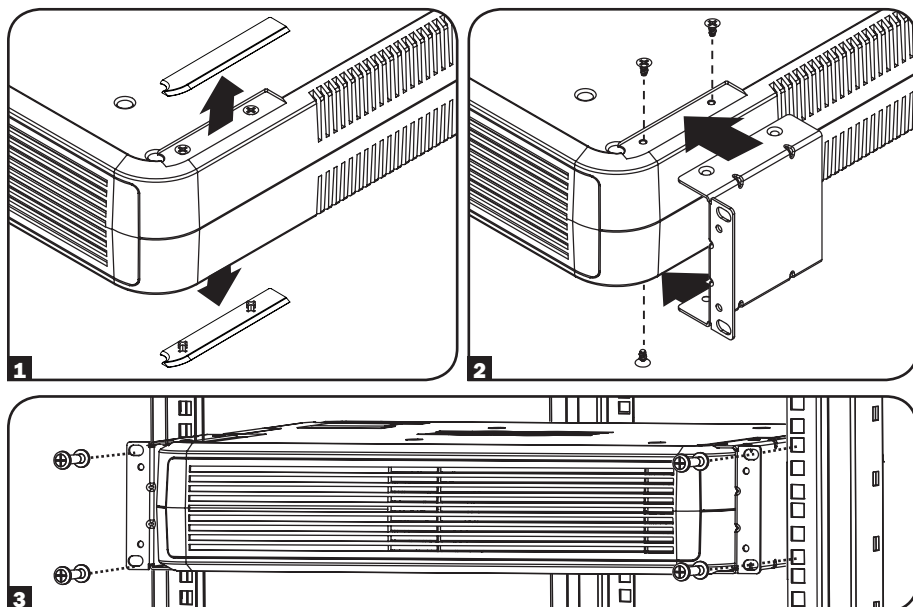


Важно: На иллюстрациях показаны наиболее типичные конфигурации монтажа; Ваша модель может иметь отличия. Используйте только предварительно просверленными отверстиями под винты для крепления монтажных скоб к боковым граням корпуса аккумуляторного источника питания. Устанавливая аккумуляторные источники питания в стойку, убедитесь, что вес устройства распределен равномерно.

Монтаж (Стеллаж)

Монтаж блока ВР24V15RT2U в двухрамную стойку

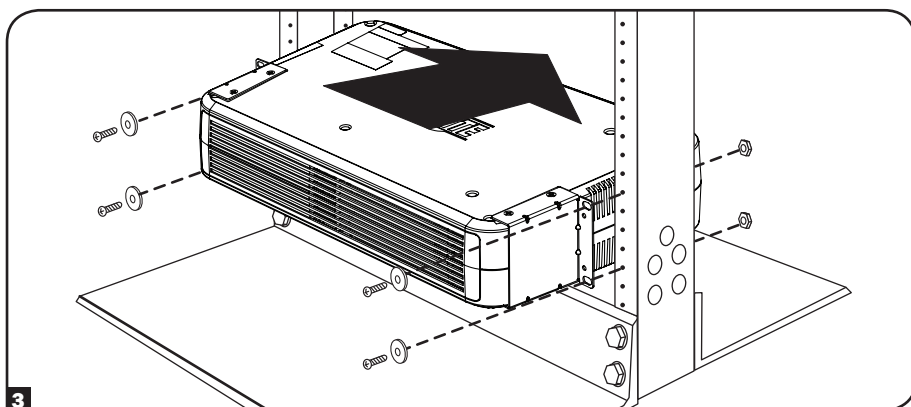
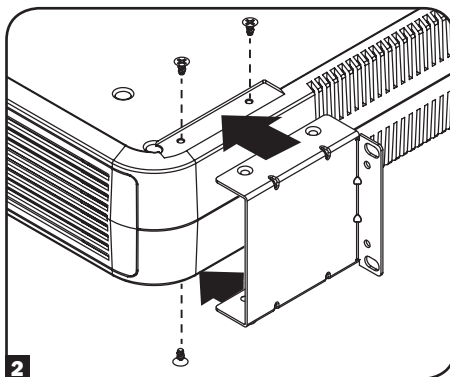
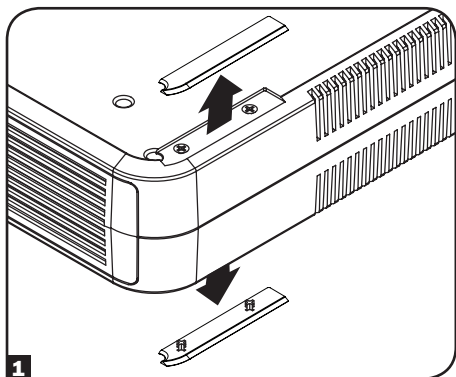
Для установки внешнего блока аккумуляторных батарей в двухрамную стойку выньте заглушки из монтажных отверстий с верхней и нижней сторон батарейного блока **1**. Для установки блока аккумуляторных батарей в двухрамную стойку прикрепите монтажные проушины с каждой из сторон ИБП с помощью поставляемой в комплекте оснастки **2**. Обратившись за помощью, поднимите батарейный блок и закрепите его в стандартной стойке с использованием оснастки, не входящей в комплект **3**.



Монтаж (Стеллаж)

Монтаж блока ВР24V15RT2U в однорамную стойку

Для установки внешнего блока аккумуляторных батарей в однорамную стойку выньте заглушки из монтажных отверстий с верхней и нижней сторон батарейного блока **1**. Прикрепите монтажные проушины с каждой из сторон ИБП с помощью поставляемой в комплекте оснастки **2**. Обратившись за помощью, поднимите батарейный блок и закрепите его в стандартной стойке с использованием оснастки, не входящей в комплект **3**.



Важно: иллюстрации показывают наиболее распространенные конфигурации установки; ваша модель может отличаться. Используйте только предварительно просверленные отверстия для винтов, чтобы прикрепить монтажные кронштейны к боковым сторонам аккумуляторной батареи. При установке аккумуляторных батарей в стойку убедитесь, что вес устройства равномерно распределен.

Монтаж (Вертикальный)

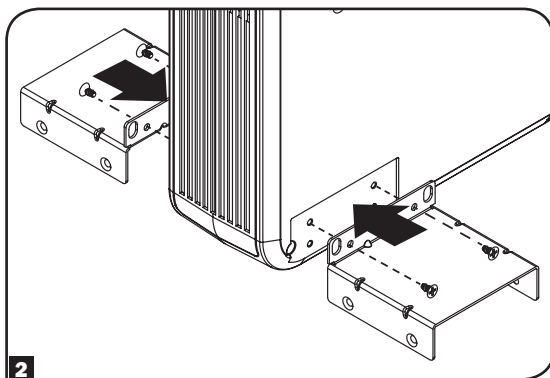
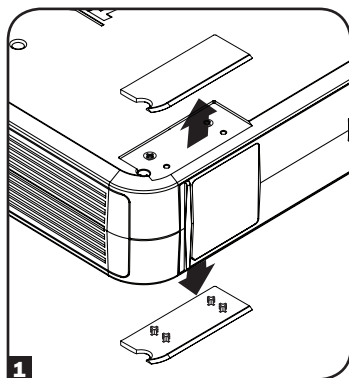
Отдельные модели внешних блоков аккумуляторных батарей могут монтироваться вертикально. Для повышения устойчивости компания Tripp Lite рекомендует использовать приспособление 2-9USTAND (продается отдельно). При вертикальном монтаже блока аккумуляторных батарей предупредительная табличка, указывающая ориентацию батарей, не должна быть обращена вверх. При выполнении монтажа следуйте указаниям, изложенным в инструкции к приспособлению 2-9USTAND.

WARNING
DO NOT INSTALL PRODUCT
WITH THIS LABEL
FACING UP

“WARNING” — ПРИ УСТАНОВКЕ ИЗДЕЛИЯ ДАННАЯ ТАБЛИЧКА НЕ ДОЛЖНА БЫТЬ ОБРАЩЕНА ВВЕРХ

Вертикальный монтаж блока BP24V15RT2U

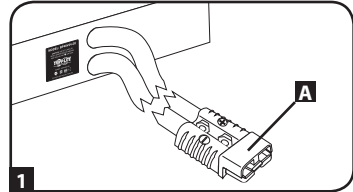
Блок BP24V15RT2U может сохранять вертикальное положение без помощи оснастки, поставляемой в комплекте с ним. Для повышения устойчивости компания Tripp Lite рекомендует извлечь нижние винтовые заглушки с каждой стороны **1** и закрепить на их месте поставляемые в комплекте приспособления **2**. Независимо от того, в каком положении производится монтаж, пользователь должен установить пригодность оснастки и предполагаемых процедур до начала установки.



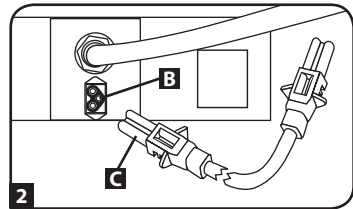
ОБРАТИТЕ ВНИМАНИЕ: если предупредительные таблички с указанием ориентации батарей прикреплены с обеих сторон блока аккумуляторных батарей, то он может монтироваться только в стойку или шкаф.

Подключение

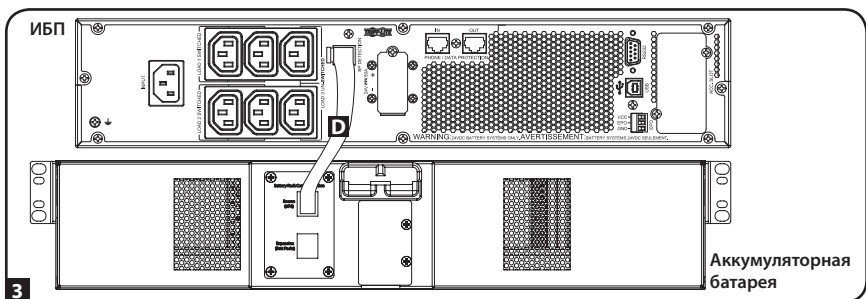
1 Некоторые модели блоков батарей снабжены встроенным выходным кабелем с поляризованным разъемом **A**, который расположен на задней панели. Вставьте кабель вывода непосредственно в разъем ИБП, предназначенный для внешней батареи. (Описание и местоположение разъема для внешней батареи Вы найдете в руководстве к источнику бесперебойного питания.) Как правило, к ИБП одновременно подключен только один такой блок батарей. Кроме того, можно также воспользоваться одним или несколькими блоками батарей Tripp Lite, поддерживающими возможность последовательного подключения.



2 В некоторых моделях блоков аккумуляторных батарей предусмотрена возможность шлейфового подключения, обеспечивающая более длительное время работы **B**. Для подключения к ИБП вставьте разъем на одном из концов поставляемого в комплекте кабеля **C** в один из разъемов на задней панели блока аккумуляторных батарей, а разъем на другом конце кабеля – в разъем вашего ИБП, предназначенный для подключения внешних батарей. (Описание и местоположение разъема для внешней батареи Вы найдете в руководстве к ИБП.) Для подключения нескольких блоков батарей к одному ИБП с целью увеличения продолжительности работы необходимо соединить кабель вывода первого блока батарей с разъемом для внешней батареи ИБП, после чего последовательно подключить остальные следующим способом: подключите кабель второго блока батарей к свободному разъему входа/выхода первого, затем кабель третьего к свободному разъему второго и так далее. Заметьте, что цепочка батарейных блоков обеспечит более продолжительную работу, но будет также нуждаться в более длительной подзарядке.



3 Некоторые блоки аккумуляторных батарей имеют на задней панели порт, предназначенный для контроля за подключением внешних батарей. Блоки аккумуляторных батарей должны использоваться только с теми моделями, которые служат в качестве главных ИБП и обеспечивают аналогичный функционал. ИБП автоматически распознает внешнюю батарею при ее подсоединении с помощью кабеля для подключения батарей **D**. Информация о совместимых моделях внешних блоков аккумуляторных батарей, требованиях к комплектации и возможных ограничениях представлена в руководстве по эксплуатации ИБП. Блоки аккумуляторных батарей могут использоваться только с ИБП, имеющими разъемы под кабели, обеспечивающие контроль за подключением внешних блоков аккумуляторных батарей (если ИБП не поддерживает данную функцию, то необходимость в наличии указанного разъема отсутствует).



Техническое обслуживание

Блоки батарей не нуждаются в техническом обслуживании, но должны всегда быть сухими. Избегайте установку блоков в местах с повышенной температурой и/или влажностью. Блоки батарей должны сохраняться полностью заряженными, для чего необходимо, чтобы они были подключены к действующей системе бесперебойного питания. Не рекомендуется оставлять их в разряженном состоянии. Пребывание батарей в разряженном состоянии влечет за собой необратимую потерю емкости.

Выявление и устранение неисправностей

Внутри блоков батарей находится цепочка плавких предохранителей. При сильной перегрузке или коротком замыкании предохранители перегорают. Блок батарей с перегоревшим предохранителем не будет создавать напряжения на выходе при любой нагрузке. Смену предохранителей должен произвести квалифицированный специалист. За дополнительной информацией обратитесь в отдел обслуживания клиентов компании Tripp Lite.

Замена внутренних батарей

Батареи, находящиеся в батарейных блоках, с течением времени истощаются и не будут в состоянии обеспечить адекватную продолжительность резервного питания. Смену батарей может проводить только уполномоченный заводом-изготовителем технический персонал. Tripp Lite предлагает клиентам в Северной Америке обменную программу, по которой они могут заменить истощенные блоки батарей на новые по цене, сопоставимой со стоимостью замены отдельной батареи. Более подробная информация изложена на странице www.tripplite.com/support.

Хранение

Отсоедините кабель электропитания блока батарей перед тем, как поставить его на сохранение. Если Вы планируете оставить блок батарей на длительное хранение, то каждые три месяца полностью заряжайте его батареи, подключая блок к включенному в сеть ИБП на время не менее 12 часов.

Сервисное обслуживание

На продукцию компании Tripp Lite распространяется гарантия, описанная в данном руководстве. Также доступны различные программы продлеваемой гарантии и обследования на объекте от компании Tripp Lite. Для получения более подробной информации о сервисном обслуживании посетите веб-сайт компании www.tripplite.com/support. Перед возвратом продукции для обслуживания, выполните следующие шаги:

1. Просмотрите инструкции по установке и эксплуатации, изложенные в данном руководстве, чтобы убедиться, что проблемы происходят не из-за неправильного понимания инструкций.
2. Если проблема сохраняется, не обращайтесь и не возвращайте инвертор/зарядное устройство торговому посреднику. Вместо этого посетите веб-сайт www.tripplite.com/support.
3. Если для решения проблемы требуется ремонт, посетите веб-сайт www.tripplite.com/support и перейдите по ссылке Product Returns (возврат продукции). Здесь можно сделать запрос о номере разрешения на возврат (RMA), который необходим для ремонта. В этой простой интерактивной форме нужно будет заполнить номер модели устройства и его серийный номер, а также общую информацию о покупателе. Номер RMA вместе с инструкциями по отправке будет выслан по электронной почте. Любые повреждения (прямые, косвенные, умышленные или побочные) продукции, полученные в результате транспортировки в компанию Tripp Lite или в уполномоченный сервисный центр, гарантией не покрываются. Транспортировка продукции в компанию Tripp Lite или в авторизованный сервисный центр должна быть оплачена отправителем. На внешней стороне упаковки нанесите номер разрешения на возврат. Если продукт находится на гарантии, вложите копию чека или документа на приобретение. Доставку продукции для обслуживания осуществляйте через застрахованных перевозчиков по адресу, полученному вместе с разрешением на возврат.

Гарантийные обязательства

Условия ограниченной гарантии сроком 2 года

Продавец гарантирует отсутствие изначальных дефектов материала или изготовления в течение два (2) года с момента первой покупки данного изделия при условии его использования в соответствии со всеми применимыми к нему указаниями. В случае проявления каких-либо дефектов материала или изготовления в течение указанного периода Продавец осуществляет ремонт или замену данного изделия исключительно по своему усмотрению.

ДЕЙСТВИЕ НАСТОЯЩЕЙ ГАРАНТИИ НЕ РАСПРОСТРАНЯЕТСЯ НА СЛУЧАИ ЕСТЕСТВЕННОГО ИЗНОСА ИЛИ ПОВРЕЖДЕНИЯ В РЕЗУЛЬТАТЕ АВАРИИ, НЕНАДЛЕЖАЩЕГО ИСПОЛЬЗОВАНИЯ, НАРУШЕНИЯ ПРАВИЛ ЭКСПЛУАТАЦИИ ИЛИ ХАЛАТНОСТИ. ПРОДАВЕЦ НЕ ПРЕДОСТАВЛЯЕТ НИКАКИХ ЯВНО ВЫРАЖЕННЫХ ГАРАНТИЙ ЗА ИСКЛЮЧЕНИЕМ ПРЯМО ИЗЛОЖЕННОЙ В НАСТОЯЩЕМ ДОКУМЕНТЕ. ЗА ИСКЛЮЧЕНИЕМ СЛУЧАЕВ, ЗАПРЕЩЕННЫХ ДЕЙСТВУЮЩИМ ЗАКОНОДАТЕЛЬСТВОМ, ВСЕ ПОДРАЗУМЕВАЕМЫЕ ГАРАНТИИ, ВКЛЮЧАЯ ВСЕ ГАРАНТИИ ПРИГОДНОСТИ ДЛЯ ПРОДАЖИ ИЛИ ИСПОЛЬЗОВАНИЯ ПО НАЗНАЧЕНИЮ, ОГРАНИЧЕНЫ ПО ПРОДОЛЖИТЕЛЬНОСТИ ДЕЙСТВИЯ ВЫШЕУКАЗАННЫМ ГАРАНТИЙНЫМ СРОКОМ; КРОМЕ ТОГО, ИЗ НАСТОЯЩЕЙ ГАРАНТИИ ЯВНЫМ ОБРАЗОМ ИСКЛЮЧАЮТСЯ ВСЕ ПОБОЧНЫЕ, СЛУЧАЙНЫЕ И КОСВЕННЫЕ УБЫТКИ. (В некоторых штатах не допускается введение ограничений на продолжительность действия тех или иных подразумеваемых гарантий, а в некоторых - исключение или ограничение размера побочных или косвенных убытков. В этих случаях вышеизложенные ограничения или исключения могут на вас не распространяться. Настоящая гарантия предоставляет вам конкретные юридические права, а набор других ваших прав может быть различным в зависимости от юрисдикции).

ВНИМАНИЕ! До начала использования данного устройства пользователь должен убедиться в том, что оно является пригодным, соответствующим или безопасным для предполагаемого применения. В связи с большим разнообразием конкретных применений производитель не дает каких-либо заверений или гарантий относительно пригодности данных изделий для какого-либо конкретного применения или их соответствия каким-либо конкретным требованиям.

Компания Tripp Lite постоянно совершенствует свою продукцию. В связи с этим возможно изменение технических характеристик без предварительного уведомления.



Продукция высшего качества.

1111 W. 35th Street, Chicago, IL 60609 USA • www.tripplite.com/support