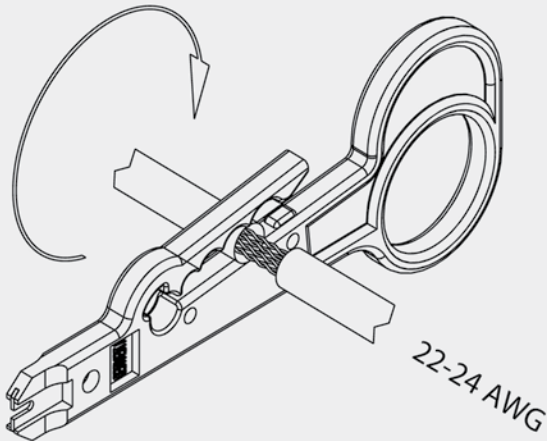


Installation Instructions



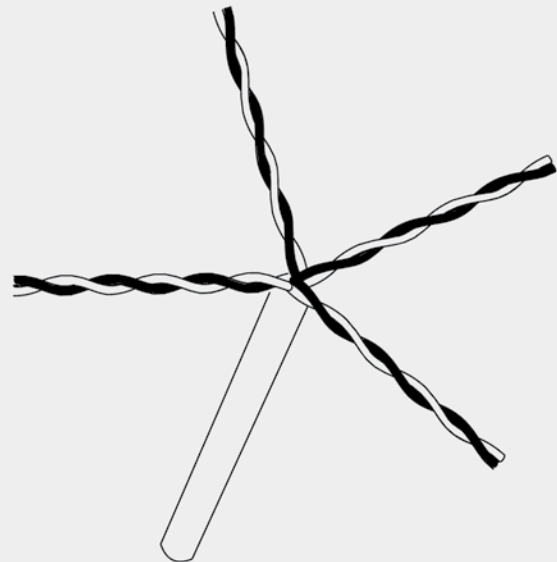
UTP High Density 0.5U 24-Port Patch Panel

N252-024-HU

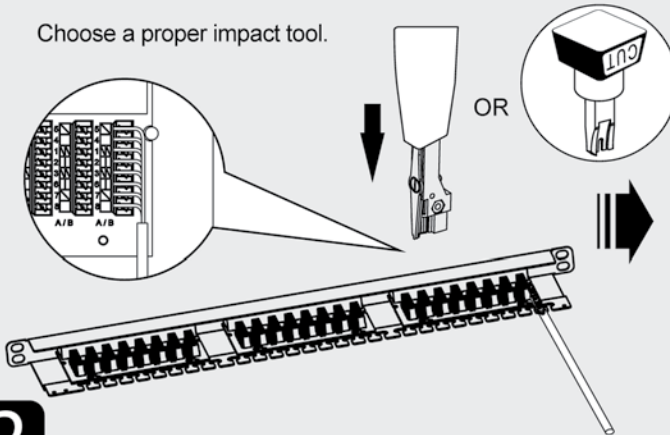


1

Remove about 3cm of the cable sheath. Cut off the filler and separate each pair.

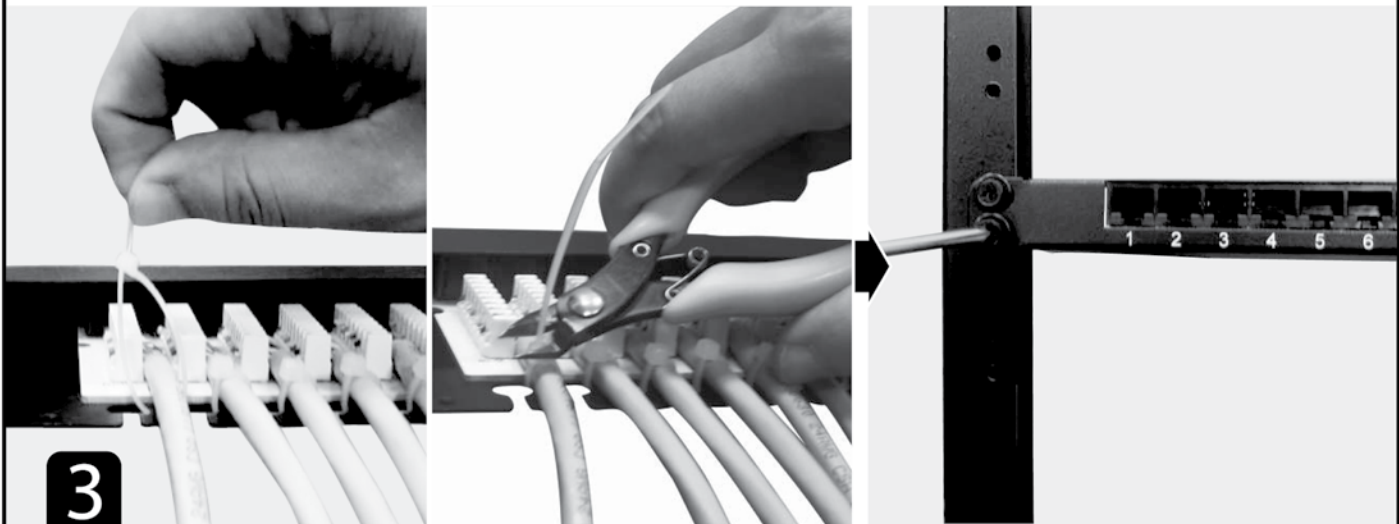
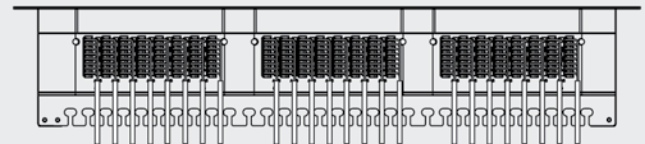


Choose a proper impact tool.



2

Seat each wire into the the IDC slots according to the color scheme. Punch down each wire with a proper impact tool .



3

Secure the bulk cables to the cable manager using nylon cable ties. (Note: please do not over-tighten the cables.) And, cut off all the excess straps. Fix the terminated panel on the rack.



1111 W. 35th Street, Chicago, IL 60609 USA
www.tripplite.com/support