

CMHD3523DWE-ZF 2 MP Ultra-Low Light Dome Camera



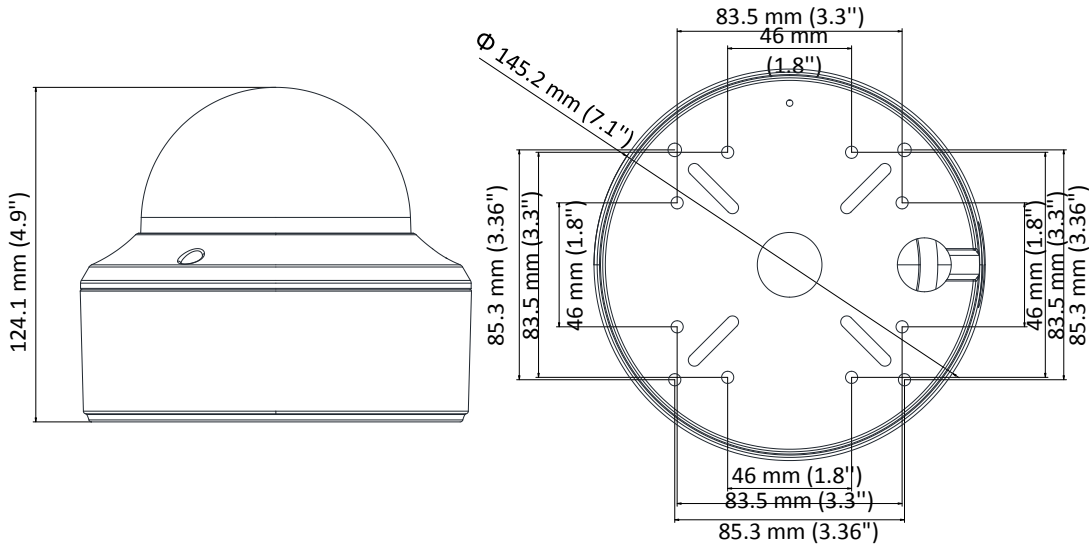
Key Feature

- 2 MP high performance CMOS
- Ultra-low light
- 1920 × 1080 resolution
- 2.7 mm to 13.5 mm varifocal lens, auto focus
- 130 dB true WDR, 3D DNR
- Smart IR, up to 197(60 m) IR distance
- 4 in 1 video output (switchable TVI/AHD/CVI/CVBS)
- IK10, IP67
- OSD Menu via UTC technology with Platinum DVR

Specification

| Camera | |
|--------------------------|---|
| Image Sensor | 2 MP CMOS |
| Signal System | PAL/NTSC |
| Resolution | 1920 (H) × 1080 (V) |
| Frame Rate | PAL: 1080p@25fps NTSC: 1080p@30fps |
| Min. Illumination | Color: 0.003 Lux @ (F1.2, AGC ON), 0 Lux with IR |
| Shutter Time | PAL: 1/25 s to 1/50, 000 s NTSC: 1/30 s to 1/50, 000 s |
| Slow Shutter | MAX. 16 times |
| Lens | 2.7 mm to 13.5 mm motorized, auto focus |
| Horizontal Field of View | 103° to 32.1° |
| Lens Mount | Φ14 |
| Day & Night | ICR |
| WDR (Wide Dynamic Range) | ≥ 130 dB |
| Angle Adjustment | Pan: 0° to 355°, Tilt: 0° to 75°, Rotate: 0° to 355° |
| Menu | |
| Image Mode | STD/HIGH-SAT |
| AGC | Yes |
| Day/Night Mode | Auto/Color/BW (Black and White) |
| White Balance | Auto/Manual |
| AE (Auto Exposure) Mode | WDR/BLC/HLC/Global |
| Privacy Mask | 4 programmable privacy masks |
| Motion Detection | 4 programmable motion areas |
| NR (Noise Reduction) | 3D DNR/2D DNR |
| Language | English |
| Functions | Brightness, Sharpness, Mirror, Smart IR |
| Interface | |
| Video Output | Switchable TVI/AHD/CVI/CVBS |
| General | |
| Operating Conditions | -40 °C to 60 °C (-40 °F to 140 °F), humidity: 90% or less (non-condensing) |
| Power Supply | 12 VDC ±25%, 24 VAC±25% <i>*You are recommended to use one power adapter to supply the power for one camera.</i> |
| Power Consumption | Max. 7.5W |
| Protection Level | IK10, IP67 |
| Material | Metal |
| IR Range | Up to 197ft(60 m) |
| Dimensions | Φ 145.2 mm × 124.1 mm (Φ 7.1" × 4.9") |
| Weight | Approx. 640 g (1.41 lb.) |

Dimension



Accessory



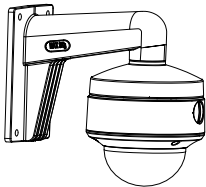
LTB342-140
Wall Mount



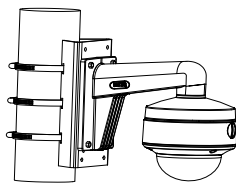
LTB378
Vertical Pole Mount



LTB379
Corner Mount



LTB342-140B
Wall Mount



LTB340
In-ceiling Mount

