

2MP HD LightHunter IR Fixed Mini Dome Camera

IPC312SB-ADF28K-I0



Key Features



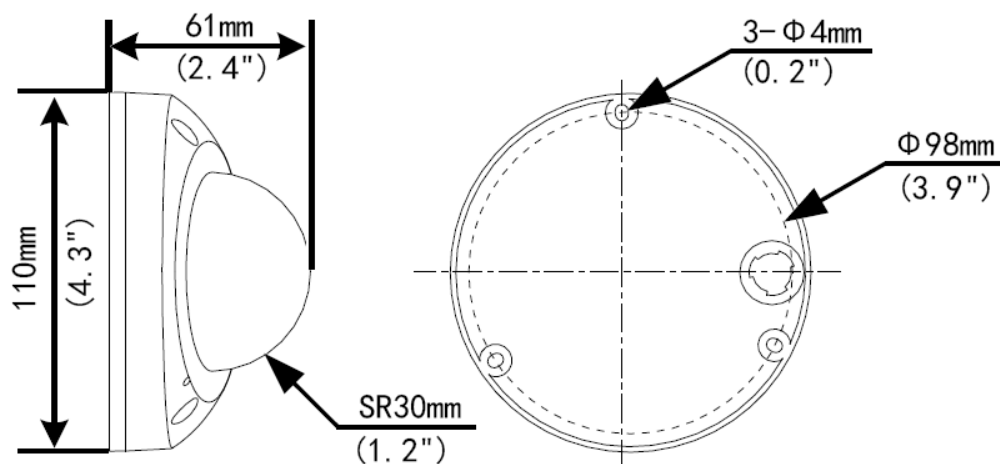
- High quality imaging with 2MP, 1/2.8"CMOS sensor
- 2MP (1920*1080)@30/25fps; 720P (1280*720)@30/25fps
- Ultra 265, H.265, H.264, MJPEG
- LightHunter technology ensures ultra-high image quality in low illumination environment
- 120dB true WDR technology enables clear imaging in strong light scene
- Support 9:16 Corridor Mode
- Built-in Mic
- Smart IR, up to 40m (131ft) IR distance
- Supports 256 G Micro SD card
- IK10 vandal resistant
- IP67 protection
- Support PoE power supply
- 3-Axis

Specifications

IPC312SB-ADF28K-I0											
Camera											
Sensor	1/2.8", 2.0 megapixel, progressive scan, CMOS										
Lens	2.8mm@F1.6										
DORI Distance	<table border="1"> <thead> <tr> <th>Lens (mm)</th> <th>Detect (m)</th> <th>Observe (m)</th> <th>Recognize (m)</th> <th>Identify (m)</th> </tr> </thead> <tbody> <tr> <td>2.8</td> <td>43.4</td> <td>17.4</td> <td>8.7</td> <td>4.3</td> </tr> </tbody> </table>	Lens (mm)	Detect (m)	Observe (m)	Recognize (m)	Identify (m)	2.8	43.4	17.4	8.7	4.3
	Lens (mm)	Detect (m)	Observe (m)	Recognize (m)	Identify (m)						
2.8	43.4	17.4	8.7	4.3							
Angle of View (H)	106.7°										
Angle of View (V)	57.1°										
Angle of View (O)	115.7°										
Adjustment angle	<table border="1"> <thead> <tr> <th>Pan: 0° ~ 90°</th> <th>Tilt: 0° ~ 68°</th> <th>Rotate: 0° ~ 360°</th> </tr> </thead> <tbody> <tr> <td></td> <td></td> <td></td> </tr> </tbody> </table>	Pan: 0° ~ 90°	Tilt: 0° ~ 68°	Rotate: 0° ~ 360°							
Pan: 0° ~ 90°	Tilt: 0° ~ 68°	Rotate: 0° ~ 360°									
Shutter	Auto/Manual, 1 ~ 1/100000s										
Minimum Illumination	Colour: 0.001Lux (F1.6, AGC ON) 0Lux with IR										
Day/Night	IR-cut filter with auto switch (ICR)										
S/N	≥52dB										
IR Range	Up to 30m (98ft) IR range										
wavelength	850nm										
IR On/Off Control	Auto/Manual										
Defog	Digital Defog										
WDR	120dB										
Video											
Video Compression	Ultra 265, H.265, H.264, MJPEG										
H.264 code profile	Baseline profile, Main Profile, High Profile										
Frame Rate	Main Stream: 2MP (1920*1080), Max 30fps; 720P(1280*720), Max 30fps; Sub Stream: 720P (1280*720), Max 30fps; D1 (720*576), Max 30fps; 640*360,Max 30fps; 2CIF(704*288), Max 30fps; CIF(352*288), Max 30fps; Third Stream: D1 (720*576), Max 30fps; 640*360,Max 30fps; 2CIF(704*288), Max 30fps; CIF(352*288), Max 30fps;										
Video Bit Rate	128 Kbps~16 Mbps										
9:16 Corridor Mode	Supported										
OSD	Up to 8 OSDs										
Privacy Mask	Up to 4 areas										
ROI	Up to 8 areas										
Motion Detection	Up to 4 areas										
Image											
White Balance	Auto/Outdoor/Fine Tune/Sodium Lamp/Locked/Auto2										
Digital noise reduction	2D/3D DNR										
Smart IR	Support										
Flip	Normal/Vertical/Horizontal/180°/90°Clockwise/90°Anti-clockwise										
Dewarping	N/A										
BLC	Supported										
HLC	Supported										

Audio	
Audio Compression	G.711
Suppression	Supported
Sampling Rate	8KHZ
Storage	
Edge Storage	Micro SD, Up to 256GB
Network Storage	ANR, NAS(NFS)
Network	
Protocols	IPv4, IGMP, ICMP, ARP, TCP, UDP, DHCP, PPPoE, RTP, RTSP, RTCP, DNS, DDNS, NTP, FTP, UPnP, HTTP, HTTPS, SMTP, 802.1x, SNMP, QoS
Compatible Integration	ONVIF (Profile S, Profile G, Profile T), API
Client	EZStation EZView EZLive
Web Browser	Plug-in required live view: IE9+, Chrome 41 and below, Firefox 52 and below
	Plug-in free live view: Chrome 57.0+, Firefox 58.0+, Edge 16+, Safari 11+
Interface	
Audio I/O	audio cable
	1 Input: impedance 35kΩ; amplitude 2V [p-p]
	1 Output: impedance 600Ω; amplitude 2V [p-p]
Built-in Mic	Supported
Network	1 RJ45 10M/100M Base-TX Ethernet
Certifications	
Certifications	CE: EN 60950-1 UL: UL60950-1 FCC: FCC Part 15
General	
Power	DC 12V±25%, PoE (IEEE 802.3af)
	Power consumption: Max 6.0W
Dimensions (Ø x H)	Φ110 x 61mm (Ø4.3" x 2.4")
Net Weight	0.37kg (0.82lb)
Material	Metal + Plastic
Working Environment	-30°C ~ 60°C (-22°F ~ 140°F), Humidity: ≤95% RH (non-condensing)
Storage Environment	-30°C ~ 60°C (-22°F ~ 140°F), Humidity: ≤95% RH (non-condensing)
surge protection	2KV
Ingress Protection	IP67
Vandal Resistant	IK10
Reset Button	N/A

Dimensions

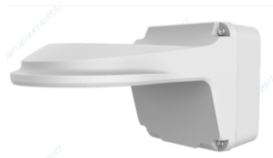


Accessories

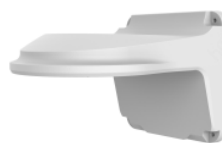
TR-JB03-G-IN



TR-JB07/WM03-G-IN



TR-WM03-D-IN



TR-UM06-E-IN



TR-A01-IN



TR-UP06-IN



TR-SE24-IN

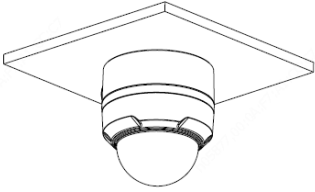
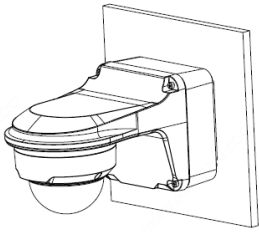
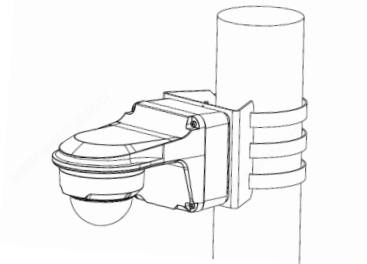
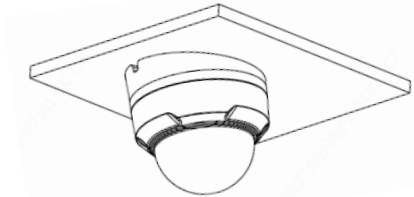


TR-SE24-A-IN



TR-CM24-IN



Junction box	Wall mount(Junction box)
TR-JB03-G-IN+TR-A01-IN	TR-JB07/WM03-G-IN(TR-WM03-D-IN)+TR-A01-IN
	
Pole mount	Tilted mounting
TR-JB07/WM03-G-IN(TR-WM03-D-IN)+TR-A01-IN+ TR-UP06-IN	TR-UM06-E-IN
	
Indoor pendent mount	
TR-JB04-D-IN+TR-A01-IN+ TR-SE24-IN(TR-SE24-A-IN)+ TR-CM24-IN	
