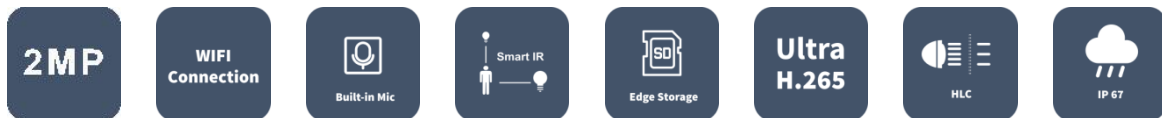


2MP WIFI Fixed Dome Network Camera

IPC322LB-AF28WK-G



Key Features



Optics

- High quality image with 2MP, 1/2.9"CMOS sensor
- 2MP (1920*1080)@30/25fps; 720P (1280*720)@30/25fps
- Ultra 265, H.265, H.264, MJPEG
- Built-in Mic
- Smart IR, up to 30m (98ft) IR distance
- Supports 128 G Micro SD card
- IK10 vandal resistant
- IP67 protection
- 3-Axis

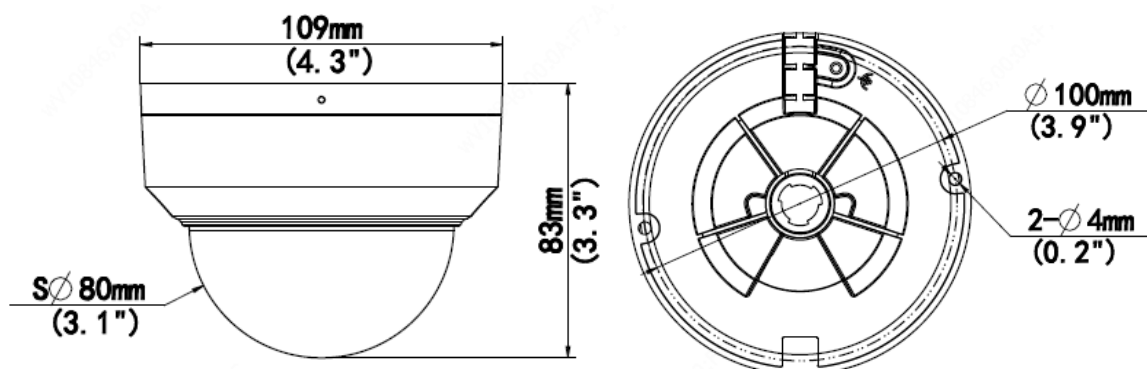
Specifications

| | | | | | |
|-------------------------|---|-----------|------------|--------------|-------------|
| | IPC322LB-AF28WK-G | | | | |
| Camera | | | | | |
| Sensor | 1/2.9", progressive scan , 2.0 megapixel, CMOS | | | | |
| Min. Illumination | Colour: 0.01Lux (F2.0, AGC ON) 0 Lux with IR | | | | |
| Day/Night | IR-cut filter with auto switch (ICR) | | | | |
| Shutter | Auto/Manual, 1~1/100000 s | | | | |
| Adjustment angle | Pan: 0°~352°, Tilt: 0°~70°, Rotate: 0°~350° | | | | |
| S/N | >52dB | | | | |
| WDR | DWDR | | | | |
| Lens | | | | | |
| Lens Type | 2.8mm @2.0, Fixed-focal | | | | |
| Lens Mount | M12 | | | | |
| Angle of view(H) | 101.1° | | | | |
| Angle of View (V) | 55.0° | | | | |
| Angle of View (O) | 111.0° | | | | |
| DORI | | | | | |
| DORI Distance | Lens | Detect(m) | Observe(m) | Recognize(m) | Identify(m) |
| | 2.8mm | 45.0 | 18.0 | 9.0 | 4.5 |
| Illuminator | | | | | |
| IR Range | Up to 30m (98 ft) IR range | | | | |
| Wavelength | 850nm | | | | |
| IR On/Off Control | Auto/Manual | | | | |
| Video | | | | | |
| Video Compression | Ultra 265, H.265, H.264, MJPEG | | | | |
| H.264 code profile | Baseline profile, Main profile, High profile | | | | |
| Frame Rate | Main Stream: 1080P (1920*1080), Max 30fps; 720P (1280*720), Max 30fps; Sub Stream: 720P (1280*720), Max 30fps; D1 (720*576), Max 30fps; 640*360,Max 30fps; 2CIF(704*288), Max 30fps; CIF(352*288), Max 30fps; | | | | |
| Video Bit Rate | 128 Kbps~6 Mbps | | | | |
| OSD | Up to 4 OSDs | | | | |
| Privacy Mask | Up to 4 areas | | | | |
| ROI | Up to 8 areas | | | | |
| Motion Detection | Up to 4 areas | | | | |
| Image | | | | | |
| White Balance | Auto/Outdoor/Fine Tune/Sodium Lamp/Locked/Auto2 | | | | |
| Image Setting | Image rotation, brightness, saturation, contrast, sharpness, gain adjustable by web browser | | | | |
| Digital noise reduction | 2D/3D DNR | | | | |
| Smart IR | Supported | | | | |
| Flip | Normal/Vertical/Horizontal/180° | | | | |
| Dewarping | N/A | | | | |

| | |
|------------------------|--|
| HLC | Supported |
| BLC | Supported |
| Defog | Digital Defog |
| Audio | |
| Audio Compression | G.711 |
| Suppression | Supported |
| Sampling Rate | 8KHZ |
| Storage | |
| Edge Storage | Micro SD, up to 128GB |
| Network Storage | ANR,NAS(NFS) |
| Network | |
| Protocols | IPv4, IGMP, ICMP, ARP, TCP, UDP, DHCP, RTP, RTSP, RTCP, RTMP, DNS, DDNS, NTP, FTP, UPnP, HTTP, HTTPS, SMTP, SSL/TLS, SNMP |
| Compatible Integration | ONVIF (Profile S, Profile G, Profile T), API , SDK |
| Security | Password protection, Strong password, HTTPS encryption, Export operation logs, Basic and digest authentication for RTSP, Digest authentication for HTTP, TLS 1.2, WSSE and digest authentication for ONVIF |
| Client | EZStation EZView EZLive |
| Web Browser | Plug-in required live view: IE9+, Chrome 41 and below, Firefox 52 and below |
| | Plug-in free live view: Chrome 57.0+, Firefox 58.0+, Edge 16+ |
| Wi-Fi | |
| Wireless Standards | IEEE802.11b/g/n |
| Frequency Range | 2.4 GHz ~ 2.4835 GHz |
| Wireless Range | Up to 120 m (The performance varies based on actual environment) |
| Channel Bandwidth | 20 MHz Support |
| Modulation Mode | 802.11b: CCK, QPSK, BPSK 802.11g/n: OFDM/HT |
| Security | 64/128-bit WEP, WPA-PSK/WPA2-PSK |
| Transmit Power | 802.11b: 17±1.5dBm @11Mbps 802.11g: 14±1.5dBm @54Mbps 802.11n: 12.5±1.5dBm @150Mbps |
| Receive Sensitivity | 802.11b: -90dBm @11Mbps (Typical) 802.11g: -75dBm @54Mbps (Typical) 802.11n: -74dBm @150Mbps(Typical) |
| Transmission Rate | 802.11b: 11Mbps 802.11g: 54Mbps 802.11n: up to 150Mbps |
| Interface | |
| Network | 1 * RJ45 10M/100M Base-TX Ethernet |
| Built-in Mic | Supported |
| Certification | |
| EMC | FCC: FCC Part 15 |
| Safety | CE: EN 60950-1 |

| | |
|---------------------|---|
| | UL: UL60950-1 IEC 60950-1 |
| General | |
| Power | DC 12V±25% |
| | Power consumption: Max 4.0W |
| Power Interface | Ø 5.5mm coaxial power plug |
| Dimensions (Ø x H) | Ø109 x 83 mm (Ø4.29" x 3.3") |
| Weight | 0.32 kg (0.71 lb) |
| Material | Metal + Plastic |
| Working Environment | -30°C ~ +60°C (-22°F ~ 140°F), Humidity:≤95% RH(non-condensing) |
| Storage Environment | -30°C ~ +60°C (-22°F ~ 140°F), Humidity:≤95% RH(non-condensing) |
| Surge Protection | 4KV |
| Reset Button | Supported |
| Ingress Protection | Ingression protection: IP67 Vandal resistant: IK10 |

Dimensions



Accessories

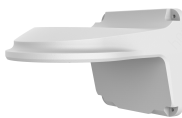
TR-JB03-G-IN



TR-JB07/WM03-G-IN



TR-WM03-D-IN



TR-UM06-E-IN



TR-UP06-IN



TR-A01-IN



TR-SE24-IN

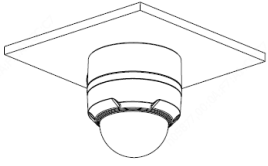
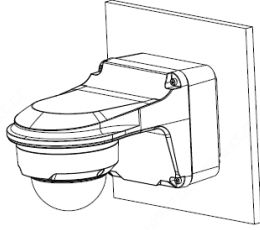
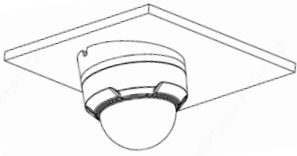
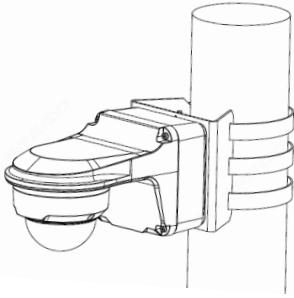
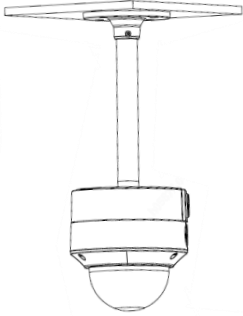


TR-SE24-A-IN



TR-CM24-IN



| Junction Mount | Pole Mount |
|---|---|
| TR-JB03-G-IN | TR-JB07/WM03-G-IN |
|  |  |
| TR-UM06-E-IN | TR-JB07/WM03-G-IN+TR-UP06-IN |
|  |  |
| TR-CM24-IN+TR-JB03-G-IN | |
|  | |