

2MP WDR Lighthunter IR Network Dome Camera

IPC3232SB-AHDZK-I0



Key Features



- High quality image with 2MP, 1/2.8" CMOS sensor
- 1920*1080@60fps in the main stream, deliver detailed live while 60fps keeping it smooth and closer to the real image
- Ultra 265, H.265, H.264, MJPEG
- 5X optical zoom allows for closer viewing of subjects
- Lighthunter product technology ensures ultra-high image quality in low illumination environment
- Up to 120 dB Optical WDR (Wide Dynamic Range)
- DC12V or PoE (IEEE 802.3af) power supply
- Wide voltage range of $\pm 25\%$ in DC
- Audio 1 in and 1 out, Alarm 2 in and 1 out

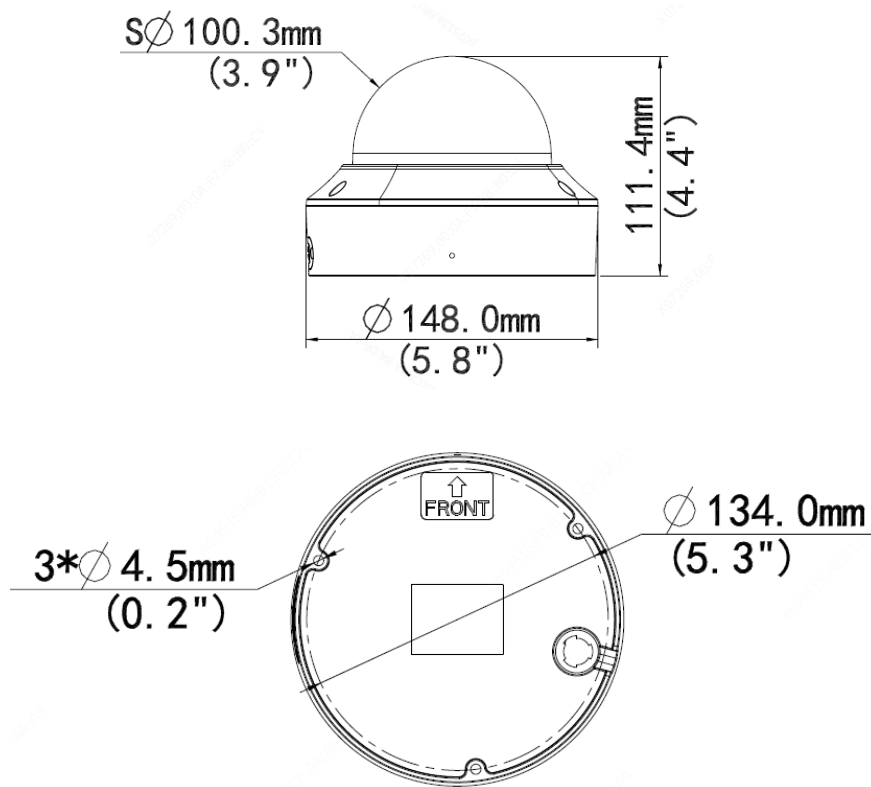
Specifications

| | | | | | |
|-------------------------|---|----------------|---------------|---------------|--------------|
| IPC3232SB-AHDZK-IO | | | | | |
| Camera | | | | | |
| Sensor | 1/2.8", 2.0 megapixel, progressive scan, CMOS | | | | |
| Min. Illumination | Colour:0.001 lux (F1.2, AGC ON) 0 lux with IR | | | | |
| Day/Night | IR-cut filter with auto switch (ICR) | | | | |
| Shutter | Auto/Manual, 1 ~ 1/100000s | | | | |
| Angle Adjustment | Pan: 0° to 355°, tilt: 0° to 70°, rotate: 0° to 355° | | | | |
| WDR | 120dB | | | | |
| S/N | >52dB | | | | |
| Lens | | | | | |
| Lens type | 2.7~13.5mm@F1.2, AF automatic focusing and motorized zoom lens | | | | |
| Iris | Fixed | | | | |
| Angle of View (H) | 98.2°~30.6° | | | | |
| Angle of View (V) | 53.3°~ 17.3° | | | | |
| Angle of View (O) | 127.7°~37.6° | | | | |
| DORI | | | | | |
| DORI Distance | Lens (mm) | Detect (m) | Observe (m) | Recognize (m) | Identify (m) |
| | 2.7 | 70.9(232.5ft) | 28.4(93.0ft) | 14.2(46.5ft) | 7.1(23.3ft) |
| | 13.5 | 247.5(812.0ft) | 99.0(324.8ft) | 49.5(162.4ft) | 24.8(81.2ft) |
| Illuminator | | | | | |
| IR Range | Up to 50m (164 ft) IR range | | | | |
| Wavelength | 850nm | | | | |
| IR On/Off Control | Auto/Manual | | | | |
| Video | | | | | |
| Video Compression | Ultra 265, H.265, H.264, MJPEG | | | | |
| Frame Rate | Main Stream: 1080P (1920*1080),Max 60fps; Sub Stream: 1080P (1920*1080), Max 60fps; Third Stream: D1 (720*576), Max 60fps | | | | |
| Video Bit Rate | 128 Kbps~16 Mbps | | | | |
| ROI | Up to 8 areas | | | | |
| Video stream | Triple streams | | | | |
| OSD | Up to 8 OSDs | | | | |
| Privacy Mask | Up to 4 areas per scene | | | | |
| Image | | | | | |
| White Balance | Auto/Outdoor/Fine Tune/Sodium Lamp/Locked/Auto2 | | | | |
| Digital noise reduction | 2D/3D DNR | | | | |
| Smart IR | Support | | | | |
| Flip | Normal/Flip Vertical/Flip Horizontal/180°/90°Clockwise/90°Anti-clockwise | | | | |
| HLC | Support | | | | |
| BLC | Support | | | | |
| Defog | Digital Defog | | | | |
| Events | | | | | |
| Basic Detection | Motion detection, Audio detection, Tampering alarm | | | | |

| | |
|------------------------|---|
| General Function | Watermark, IP Address Filtering, Alarm input, Alarm output, Access Policy, ARP Protection, RTSP Authentication, User Authentication |
| Audio | |
| Audio Compression | G.711U, G.711A |
| Audio Bitrate | 64 Kbps |
| Two-way Audio | Support |
| Suppression | Support |
| Sampling Rate | 8KHZ |
| Storage | |
| Edge Storage | Micro SD, up to 256 GB |
| Network Storage | ANR,NAS(NFS) |
| Network | |
| Protocols | IPv4, IGMP, ICMP, ARP, TCP, UDP, DHCP, PPPoE, RTP, RTSP, RTCP, DNS, DDNS, NTP, FTP, UPnP, HTTP, HTTPS, SMTP, 802.1x, SNMP, QoS, RTMP, SSL/TLS |
| Compatible Integration | ONVIF (Profile S, Profile G, Profile T), API, SDK |
| User/Host | Up to 32 users. 2 user levels: administrator and common user |
| Security | Password protection, strong password, HTTPS encryption, basic and digest authentication for RTSP, digest authentication for HTTP, TLS 1.2, WSSE and digest authentication for ONVIF |
| Client | GuardStation GuardLive Guardview |
| Web Browser | Plug-in required live view: IE9+, Chrome 41 and below, Firefox 52 and below |
| Interface | |
| Audio I/O | 1/1 |
| Alarm I/O | 2/1 |
| Serial Port | 1 RS485 |
| Built-in Mic | Support |
| Video output | 1 BNC(For debugging) |
| Network | 1 * RJ45 10M/100M Base-TX Ethernet |
| Certification | |
| EMC | FCC CFR 47 Part 15 EN 55032:2015 EN 55024:2010 EN 61000-3-2:2014 EN 61000-3-3-2013 |
| Safety | IEC 62368-1 EN 62368-1 UL 60950-1 |
| Environment | CE-ROHS (2011/65/EU;(EU)2015/863); WEEE (2012/19/EU); REACH (Regulation (EC) No 1907/2006) |
| General | |
| Power | DC12V(±25%), PoE(IEEE 802.3af) |
| | Power consumption: Max 8W |
| Power Interface | Ø 5.5mm coaxial power plug |
| Dimensions (Ø x H) | Ø148.0 x 111.4mm (Ø5.8" x 4.4") |
| Weight | 0.93kg(2.16lb) |
| Working Environment | -30°C ~ 60°C (-22°F ~ 140°F), Humidity: ≤95% RH (non-condensing) |
| Storage Environment | -40°C ~ 70°C (-40°F ~ 158°F), Humidity: ≤95% RH (non-condensing) |

| | |
|--------------------|---------|
| Surge protection | 6KV |
| Vandal Resistant | IK10 |
| Ingress Protection | IP67 |
| Reset button | Support |

Dimensions



Accessories





TR-CM24-IN



| Junction Mount | Wall mount |
|---|--|
| TR-JB04-C-IN+ TR-A01-IN | TR-JB07/WM04-B-IN、 TR-WM04-IN+TR-UP06-IN |
| | |
| In-ceiling Mount | Electric-box Transfer plate |
| TR-FM152-A-IN | TR-SM04-IN |
| | |
| Indoor pendent mount | |
| TR-JB04-C-IN + TR-SE24-IN/TR-SE24-A-IN + TR-CM24-IN | |

