

8MP HD LightHunter IR Fixed Eyeball Network Camera

IPC3618SB-ADF28(40)KM-I0



Key Features



- High quality image with 8MP, 1/2.7"CMOS sensor
- 8MP (3840*2160)@20fps; 5MP (3072*1728)@30/25fps; 4MP (2560*1440)@30/25fps; 2MP (1920*1080) @30/25fps
- Ultra 265, H.265, H.264, MJPEG
- LightHunter technology ensures ultra-high image quality in low illumination environment
- 120dB true WDR technology enables clear image in strong light scene
- Support 9:16 Corridor Mode
- Built-in Mic
- Smart IR, up to 30m (98ft) IR distance
- Supports 256 G Micro SD card

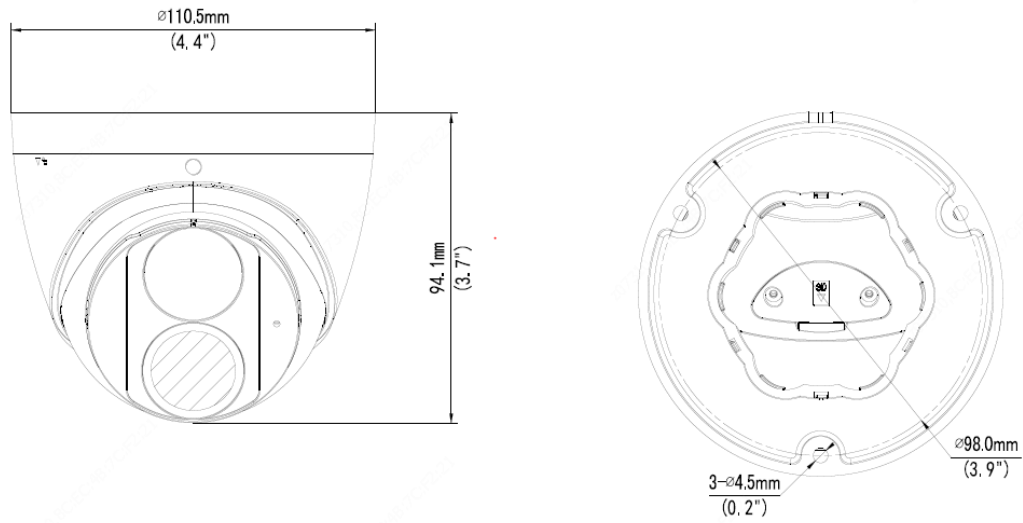
- IP67 protection

Specifications

| | IPC3618SB-ADF28KM-I0 | IPC3618SB-ADF40KM-I0 | | | |
|-------------------------|--|----------------------|----------------|---------------|-------------------|
| Camera | | | | | |
| Sensor | 1/2.7", 8.0 megapixel, progressive scan, CMOS | | | | |
| Lens | 2.8mm@F2.0 | | 4.0mm@F2.0 | | |
| DORI Distance | Lens (mm) | Detect (m) | Observe (m) | Recognize (m) | Identify (m) |
| | 2.8 | 84.0 | 33.6 | 16.8 | 8.4 |
| | 4.0 | 120.0 | 48.0 | 24.0 | 12.0 |
| Angle of View (H) | 112.4° | | 86.5° | | |
| Angle of View (V) | 60.1° | | 44.1° | | |
| Angle of View (O) | 146.1° | | 112.5° | | |
| Adjustment angle | Pan: 3° ~ 360° | | Tilt: 0° ~ 80° | | Rotate: 3° ~ 360° |
| Shutter | Auto/Manual, 1 ~ 1/100000s | | | | |
| Minimum Illumination | Colour: 0.01Lux (F2.0, AGC ON) 0Lux with IR on | | | | |
| Digital Noise Reduction | 2D/3D DNR | | | | |
| Day/Night | IR-cut filter with auto switch (ICR) | | | | |
| S/N | >56dB | | | | |
| IR Range | Up to 30m (98 ft) IR range | | | | |
| Wavelength | 850nm | | | | |
| IR On/Off Control | Auto/Manual | | | | |
| Defog | Digital Defog | | | | |
| WDR | 120dB | | | | |
| Video | | | | | |
| Video Compression | Ultra 265, H.265, H.264, MJPEG | | | | |
| H.264 code profile | Baseline profile, Main profile, High profile | | | | |
| Frame Rate | Main Stream: 8MP (3840*2160), Max 20fps; 5MP (3072*1728), Max 30fps; 4MP (2560*1440), Max 30fps; 1080P (1920*1080), Max 30fps; Sub Stream: 1080P (1920*1080), Max 30fps; 720P (1280*720), Max 30fps; D1 (720*576), Max 30fps; 640*360, Max 30fps; 2CIF(704*288), Max 30fps; CIF(352*288), Max 30fps; Third Stream: D1 (720*576), Max 30fps; 640*360, Max 30fps; 2CIF(704*288), Max 30fps; CIF(352*288), Max 30fps; | | | | |
| Video Bit Rate | 128 Kbps~16 Mbps | | | | |
| OSD | Up to 8 OSDs | | | | |
| Privacy Mask | Up to 4 areas | | | | |
| ROI | Up to 8 areas | | | | |
| Motion Detection | Up to 4 areas | | | | |
| Image | | | | | |
| White Balance | Auto/Outdoor/Fine Tune/Sodium Lamp/Locked/Auto2 | | | | |
| Smart IR | Support | | | | |
| Flip | Normal/Vertical/Horizontal/180°/90°Clockwise/90°Anti-clockwise | | | | |
| Dewarping | Supported | | | | |
| HLC | Supported | | | | |

| | |
|------------------------|---|
| BLC | Supported |
| Audio | |
| Audio Compression | G.711 |
| Suppression | Supported |
| Sampling Rate | 8KHZ |
| Storage | |
| Edge Storage | Micro SD, up to 256GB |
| Network Storage | ANR |
| Network | |
| Protocols | IPv4, IGMP, ICMP, ARP, TCP, UDP, DHCP, RTP, RTSP, RTCP, DNS, DDNS, NTP, FTP, UPnP, HTTP, SNMP, HTTPS, SMTP, SSL |
| Compatible Integration | ONVIF (Profile S, Profile G, Profile T), API |
| Client | EZStation EZView EZLive |
| Web Browser | Plug-in required live view: IE9+, Chrome 41 and below, Firefox 52 and below |
| | Plug-in free live view: Chrome 57.0+, Firefox 58.0+, Edge 16+, Safari 11+ |
| Interface | |
| Network | 1 RJ45 10M/100M Base-TX Ethernet |
| Built-in Mic | Supported |
| Certifications | |
| Certifications | CE: EN 60950-1 UL: UL60950-1 FCC: FCC Part 15 |
| General | |
| Power | DC 12V±25%, PoE (IEEE 802.3af) |
| | Power consumption: Max 5.0W |
| Dimensions (L × W × H) | Φ110.5 x 94.1mm (Φ4.4" x 3.7") |
| Net Weight | 0.44kg (0.97lb) |
| Material | Metal |
| Working Environment | -30°C ~ 60°C (-22°F ~ 140°F), Humidity: ≤95% RH (non-condensing) |
| Storage Environment | -30°C ~ 60°C (-22°F ~ 140°F), Humidity: ≤95% RH (non-condensing) |
| Surge Protection | 2KV |
| Ingress Protection | IP67 |
| Reset Button | N/A |

Dimensions



Accessories

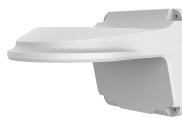
TR-JB03-G-IN



TR-JB07/WM03-G-IN



TR-WM03-D-IN



TR-UM06-E-IN



TR-UP06-IN



TR-A01-IN



TR-SE24-IN

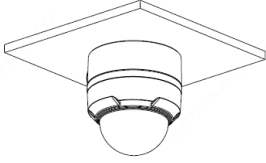
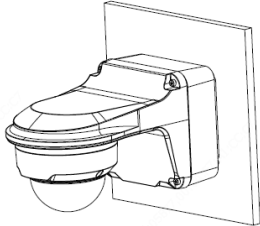
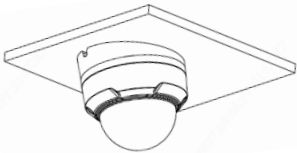
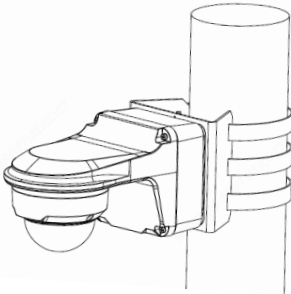
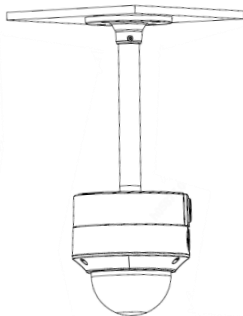


TR-SE24-A-IN



TR-CM24-IN



| Junction Mount | Pole Mount |
|--|--|
| <p>TR-JB03-G-IN</p>  | <p>TR-JB07/WM03-G-IN</p>  |
| <p>TR-UM06-E-IN</p>  | <p>TR-JB07/WM03-G-IN+TR-UP06-IN</p>  |
| <p>TR-CM24-IN+TR-JB03-G-IN</p>  | |