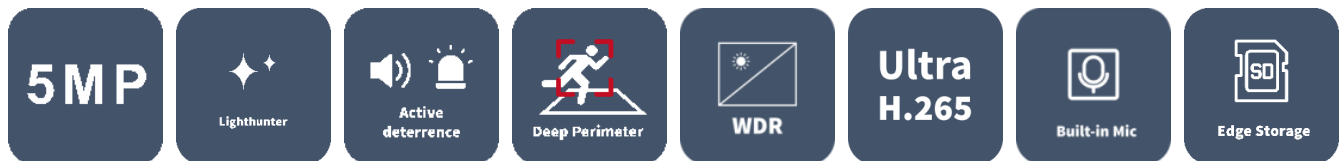


# 5MP LightHunter Active Deterrence Mini PTZ Camera

IPC675LFW-AX4DUPKC-VG



## Key Features



- High quality image with 5MP, 1/2.7" CMOS sensor
- Ultra 265, H.265, H.264, MJPEG
- Smart intrusion prevention, support false alarm filtering, include Cross Line, Intrusion, Enter Area, Leave Area detection
- People Counting, support people flow counting and crowd density monitoring, suitable for different statistical scenarios
- LightHunter technology ensures ultra-high image quality in low illumination environment
- Up to 120 dB Optical WDR (Wide Dynamic Range)
- Built-in Mic & Speaker
- Smart IR, Up to 50 m (164 ft) IR distance and 10m (33 ft) warm light distance
- Micro SD, up to 256GB
- IP66 protection
- DC12V or PoE (IEEE 802.3af) power supply

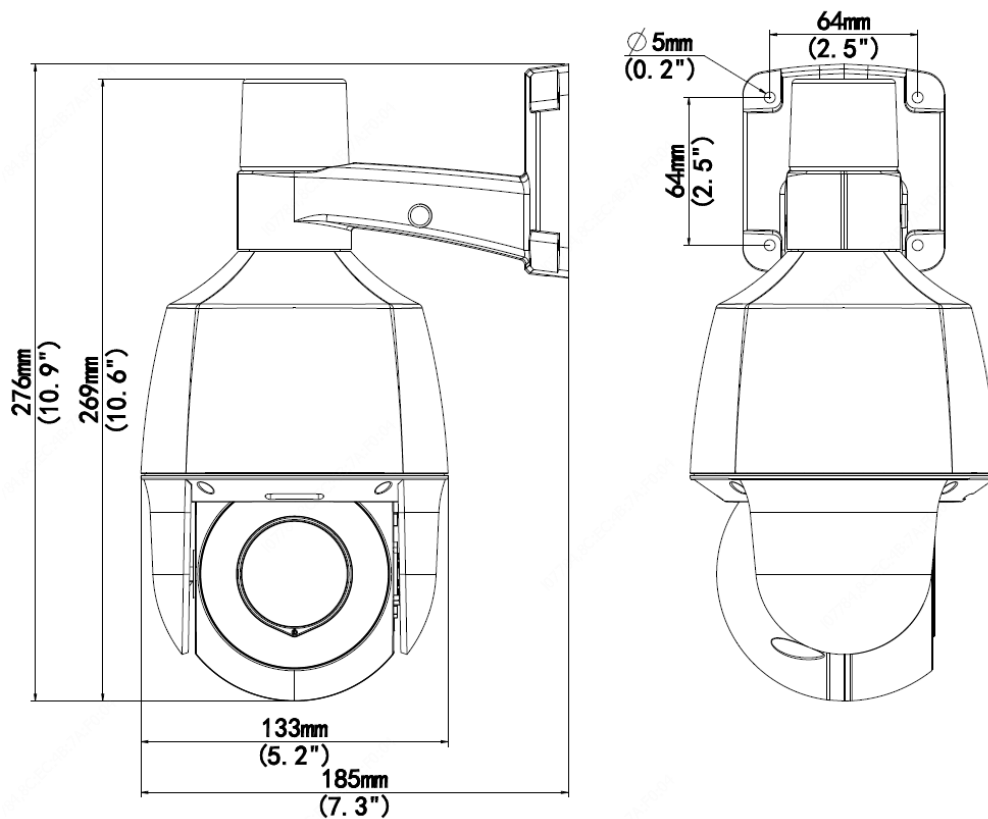
## Specifications

|                         |   |                 |                 |                |               |
|-------------------------|---|-----------------|-----------------|----------------|---------------|
| IPC675LFW-AX4DUPKC-VG   |   |                 |                 |                |               |
| <b>Camera</b>           |   |                 |                 |                |               |
| Sensor                  | 1/2.7" progressive scan, 5.0 megapixel, CMOS  |                 |                 |                |               |
| Min. Illumination       | Colour:0.003 lux (F1.6,AGC ON)<br>0 lux with IR   |                 |                 |                |               |
| Day/Night               | IR-cut filter with auto switch (ICR)  |                 |                 |                |               |
| Shutter                 | Auto/Manual, shutter time: 1 s ~ 1/100000 s   |                 |                 |                |               |
| WDR                     | 120dB   |                 |                 |                |               |
| S/N                     | >52dB   |                 |                 |                |               |
| <b>Lens</b>             |   |                 |                 |                |               |
| Lens type               | 2.8~12mm, AF automatic focusing and motorized zoom lens   |                 |                 |                |               |
| Optical Zoom            | 4   |                 |                 |                |               |
| Iris                    | Fixed; F1.6   |                 |                 |                |               |
| Field of View (H)       | 104.1° ~ 30.6°  |                 |                 |                |               |
| Field of View (V)       | 54.9° ~ 17.4°   |                 |                 |                |               |
| Field of View (D)       | 108.3° ~ 34.4°  |                 |                 |                |               |
| <b>DORI</b>             |   |                 |                 |                |               |
| DORI Distance           | Lens (mm)   | Detect (m)      | Observe (m)     | Recognize (m)  | Identify (m)  |
|                         | 2.8mm   | 63.0 (206.7ft)  | 25.2 (82.7ft)   | 12.6 (41.3ft)  | 6.3 (20.7ft)  |
|                         | 12mm  | 270.0 (885.8ft) | 108.0 (354.3ft) | 54.0 (177.2ft) | 27.0 (88.6ft) |
| <b>Illuminator</b>      |   |                 |                 |                |               |
| IR Range                | Up to 50m (164ft)   |                 |                 |                |               |
| Warm Light Range        | Up to 10m (33ft)  |                 |                 |                |               |
| Wavelength              | 850nm   |                 |                 |                |               |
| IR On/Off Control       | Auto/Manual   |                 |                 |                |               |
| <b>Video</b>            |   |                 |                 |                |               |
| Video Compression       | Ultra 265, H.265, H.264, MJPEG  |                 |                 |                |               |
| Frame Rate              | Main Stream: 5MP (2880*1620), Max 30fps; 4MP (2560*1440), Max 30fps;3MP (2304*1296), Max 30fps; 2MP (1920*1080), Max 30fps;<br>Sub Stream: 720P (1280*720), Max 30fps; D1 (720*576), Max 30fps; 640*360, Max 30fps; 2CIF (704*288), Max 30fps; CIF (352*288), Max 30fps;<br>Third Stream: D1 (720*576), Max 30fps; 640*360, Max 30fps; 2CIF (704*288), Max 30fps; CIF (352*288), Max 30fps; |                 |                 |                |               |
| Video Bit Rate          | 128 Kbps~16 Mbps  |                 |                 |                |               |
| ROI                     | Support   |                 |                 |                |               |
| Video Stream            | Triple streams  |                 |                 |                |               |
| OSD                     | Up to 8 OSDs  |                 |                 |                |               |
| Privacy Mask            | Up to 4 areas   |                 |                 |                |               |
| <b>Image</b>            |   |                 |                 |                |               |
| White Balance           | Auto/Outdoor/Fine Tune/Sodium Lamp/Locked/Auto2   |                 |                 |                |               |
| Digital Noise Reduction | 2D/3D DNR   |                 |                 |                |               |
| Smart IR                | Support   |                 |                 |                |               |
| Flip                    | Normal/Flip Vertical/Flip Horizontal/180°/90°Clockwise/90°Anti-clockwise  |                 |                 |                |               |
| HLC                     | Support   |                 |                 |                |               |

|                            |   |
|----------------------------|---|
| BLC                        | Support   |
| Defog                      | Digital Defog   |
| <b>Intelligent</b>         |   |
| Smart Intrusion Prevention | Support false alarm filtering: Cross Line detection, Intrusion detection, Enter Area detection, Leave Area detection                        |
| People Counting            | Support people flow counting and crowd density monitoring   |
| <b>Events</b>              |   |
| Basic Detection            | Motion detection, Audio detection, Tampering Alarm  |
| Auto Tracking              | Support   |
| General Function           | Watermark, IP Address Filtering, Access Policy, ARP Protection, RTSP Authentication, User Authentication                                    |
| <b>Audio</b>               |   |
| Audio Compression          | G.711U,G.711A   |
| Two-way Audio              | Support   |
| Suppression                | Support   |
| Sampling Rate              | 8 kHz   |
| <b>Storage</b>             |   |
| Edge Storage               | Micro SD, up to 256 GB  |
| Network Storage            | ANR,NAS(NFS)  |
| <b>Network</b>             |   |
| Protocols                  | IPv4, IGMP, ICMP, ARP, TCP, UDP, DHCP , PPPoE, RTP, RTSP, RTCP, DNS, DDNS, NTP, FTP, UPnP, HTTP, HTTPS, SMTP , 802.1x , SNMP, SSL           |
| Compatible Integration     | ONVIF (Profile S, Profile G, Profile T), API  |
| Client                     | EZStation<br>EZLive<br>EZView   |
| Web Browser                | Plug-in required live view: IE 10 and above, Chrome 45 and above, Firefox 52 and above, Edge 79 and above                                   |
| <b>Pan &amp; Tilt</b>      |   |
| Pan Range                  | 0° ~ 345°   |
| Pan Speed                  | 0.1°/s ~ 50°/s  |
|                            | Preset speed: 50°/s   |
| Tilt Range                 | -10° ~ 110°   |
| Tilt Speed                 | 0.1°/s ~ 40°/s  |
|                            | Preset speed: 40°/s   |
| Number of Presets          | 256   |
| Preset Patrol              | 16 patrols, up to 64 presets for each patrol  |
| Patrol Stay Time           | 120s ~ 1800s  |
| Home Position              | Support   |
| <b>Interface</b>           |   |
| Built-in Mic               | Support   |
| Built-in Speaker           | Support   |
| Network                    | 1 * RJ45 10M/100M Base-TX Ethernet  |
| Alarm Light                | Support   |
| <b>Certification</b>       |   |
| EMC                        | CE-EMC (EN55032:2015, EN55024:2010+A1:2015, EN55035:2017, EN61000-3-2:2014, EN61000-3-3:2013)<br>FCC (FCC CFR 47 part15 B, ANSI C63.4-2014) |
| Safety                     | CE LVD (EN 62368-1:2014+A11:2017)<br>CB (IEC 62368-1:2014)<br>UL (UL 62368-1, 2nd Ed., Issue Date: 2014-12-01)                              |

|                     |  |
|---------------------|--|
| Environment         | CE-ROHS (2011/65/EU;(EU)2015/863)                                |
| Protection          | IP66 (IEC 60529:1989+AMD1:1999+AMD2:2013)                        |
| <b>General</b>      |  |
| Power               | DC12V(±25%), PoE(IEEE 802.3af)                                   |
|                     | Power consumption: MAX 18W                                       |
| Power Interface     | Ø 5.5mm coaxial power plug                                       |
| Dimensions (Ø x H)  | Φ133mm*269mm (Φ5.2"x 10.6")                                      |
| Weight              | 0.87 kg (1.92lb)   |
| Working Environment | -20°C ~ 60°C (-4°F to 140°F), Humidity: ≤95% RH(non-condensing)  |
| Storage Environment | -40°C ~ 70°C (-40°F to 158°F), Humidity: ≤95% RH(non-condensing) |
| Surge Protection    | 2KV  |
| Reset Button        | Support  |

## Dimensions



## Accessories

TR-JB07-D-IN

Junction Box



TR-UP06-B-IN

Pole Mount



TR-UP06-C-IN

Pole Mount



TR-A01-IN

Waterproof Joint



TR-CM06-D

Pendent Mount



### Zhejiang Uniview Technologies Co., Ltd.

South Tower, Building 10, Wanlun Science Park, 88 Jiangling Road, Hangzhou, P.R.China 310051

Email: [overseasbusiness@uniview.com](mailto:overseasbusiness@uniview.com); [globalsupport@uniview.com](mailto:globalsupport@uniview.com)

<http://www.uniview.com>

©2022 Zhejiang Uniview Technologies Co., Ltd. All rights reserved.

\*Product specifications and availability are subject to change without notice.