

5MP HD Smart IR Fixed Dome Network Camera

UN-IPC325SBDF28K10



Key Features



Ultra
H.265



Optics

Day/night functionality

Smart IR, up to 30m (98ft) IR distance Up

to 120 dB WDR (Wide Dynamic Range)

2D/3D DNR (Digital Noise Reduction)

Compression

Ultra 265, H.264, MJPEG

ROI (Region of Interest)

Customized OSD

Network

ONVIF Conformance

Structure

Wide temperature range: -30°C ~ 60°C (-22°F ~ 140°F)

Wide input voltage range of ±25%

IK10 vandal resistant

IP67

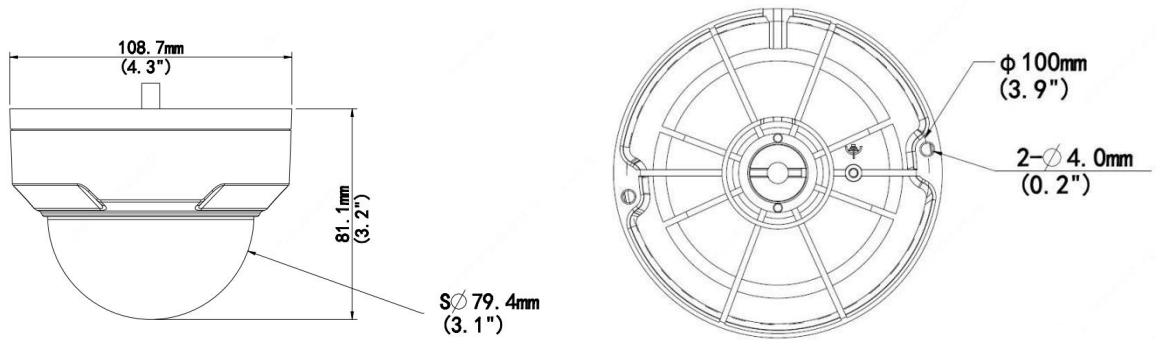
3-Axis

Specifications

	UN-IPC325SBDF28K10				
Camera					
Sensor	1/2.7", 5.0 megapixel, progressive scan, CMOS				
Lens	2.8mm@F1.6				
DORI Distance	Lens (mm)	Detect (m)	Observe (m)	Recognize (m)	Identify (m)
	2.8	63.0	25.2	12.6	6.3
Angle of View (H)	112.7°				
Angle of View (V)	60.1°				
Angle of View (O)	146.5°				
Adjustment angle	Pan: 3° ~ 360°		Tilt: 0° ~ 68°		Rotate: 3° ~ 360°
Shutter	Auto/Manual, 1 ~ 1/100000s				
Minimum Illumination	Colour:0.003 Lux (F1.6, AGC ON) 0Lux with IR				
Day/Night	IR-cut filter with auto switch (ICR)				
Digital noise reduction	2D/3D DNR				
S/N	>56dB				
IR Range	Up to 30m (98ft) IR range				
Wavelength	850nm				
IR On/Off Control	Auto/Manual				
Defog	Digital Defog				
WDR	120dB				
Video					
Video Compression	Ultra 265, H.265, H.264, MJPEG				
H.264 code profile	Baseline profile, Main Profile				
Frame Rate	Main Stream:5MP (2880*1620), Max 25fps; 4MP (2560*1440), Max 25fps; 3MP (2304*1296), Max 25fps; 1080P (1920*1080), Max 30fps; Sub Stream: D1 (720*576), Max 30fps; Third Stream: CIF (352*288), Max 30fps				
Video Bit Rate	128 Kbps~16 Mbps				
OSD	Up to 8 OSDs				
Privacy Mask	Up to 4 areas				
ROI	Up to 8 areas				
Motion Detection	Up to 4 areas				
Image					
White Balance	Auto/Outdoor/Fine Tune/Sodium Lamp/Locked/Auto2				
Digital noise reduction	2D/3D DNR				
Smart IR	Support				
Flip	Normal/Vertical/Horizontal/180°				

Dewarping	Supported
HLC	Supported
BLC	Supported
Audio	
Audio Compression	G.711
Two-way audio	Supported
Suppression	Supported
Sampling Rate	8KHZ
Storage	
Edge Storage	Micro SD, up to 256GB
Network Storage	ANR
Smart	
Behavior Detection	Line crossing detection, Intrusion detection, Region entrance detection, Region exit detection ;Motion detection, Tampering alarm, Audio Detection
Network	
Protocols	IPv4, IGMP, ICMP, ARP, TCP, UDP, DHCP, RTP, RTSP, RTCP, DNS, DDNS, NTP, FTP, UPnP, HTTP, HTTPS, SMTP, SSL
Compatible Integration	ONVIF (Profile S, Profile G, Profile T), API
Client	EZStation EZView EZLive
Web Browser	Plug-in required live view: IE9+, Chrome 41 and below, Firefox 52 and below
	Plug-in free live view: Chrome 57.0+, Firefox 58.0+, Edge 16+, Safari 11+
Interface	
Audio I/O	Input: impedance 35kΩ; amplitude 2V [p-p]
	Output: impedance 600Ω; amplitude 2V [p-p]
Alarm I/O	1/1
Network	1 RJ45 10M/100M Base-TX Ethernet
Certifications	
Certifications	CE: EN 60950-1 UL: UL60950-1 FCC: FCC Part 15
General	
Power	DC 12V±25%, PoE (IEEE 802.3af)
	Power consumption: Max 5.5W
Dimensions (∅ x H)	∅108.7 x 81.1mm (∅4.3" x 3.2")
Net Weight	0.45kg (0.99lb)
Material	Metal + Plastic
Working Environment	-30°C ~ 60°C (-22°F ~ 140°F), Humidity: ≤95% RH (non-condensing)
Storage Environment	-30°C ~ 60°C (-22°F ~ 140°F), Humidity: ≤95% RH (non-condensing)
Surge Protection	2KV
Ingress Protection	IP67
Vandal Resistant	IK10

Dimensions

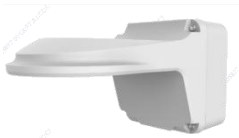


Accessories

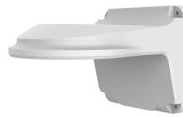
TR-JB03-G-IN



TR-JB07/WM03-G-IN



TR-WM03-D-IN



TR-UM06-E-IN



TR-UP06-IN



TR-A01-IN



TR-SE24-IN



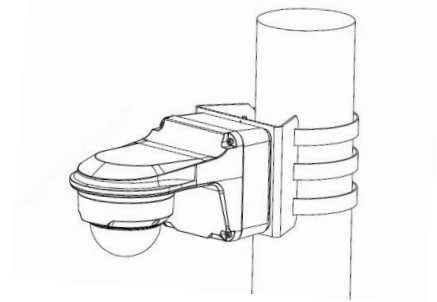
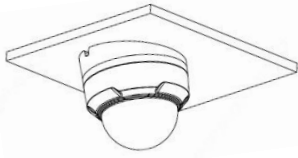
TR-SE24-A-IN



TR-CM24-IN



Junction Mount	Pole Mount
TR-JB03-G-IN	TR-JB07/WM03-G-IN
TR-UM06-E-IN	TR-JB07/WM03-G-IN+TR-UP06-IN



TR-CM24-IN+TR-JB03-G-IN

