

5MP Network IR Fixed Dome Camera

UN-IPC3615SR3ADPF28F



Key Features



Optics

- Day/night functionality
- Up to 120dB WDR (Wide Dynamic Range)
- Smart IR, up to 30m (98ft) IR distance

Compression

- Ultra 265, H.264, MJPEG
- Triple streams

Network

- ONVIF Conformance

Structure

- Wide temperature range: -30°C ~ 60°C (-22°F ~ 140°F)
- Wide voltage range of ±25%

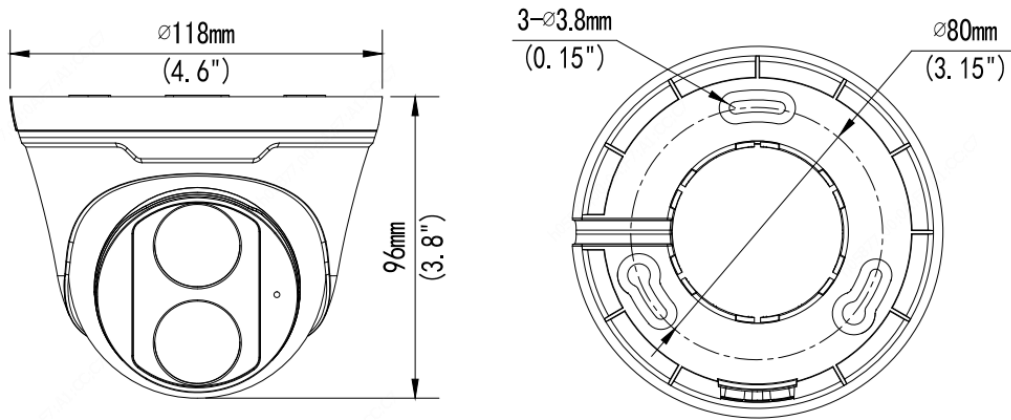
- Micro SD, up to 128 GB
- Built-in Mic
- 2KV surge protection designed for network interface
- IP67
- 3-Axis

Specifications

UN-IPC3615SR3ADPF28F											
Camera											
Sensor	1/2.7", 5.0 megapixel, progressive scan, CMOS										
Lens	2.8mm@F2.0										
DORI Distance	<table border="1"> <thead> <tr> <th>Lens (mm)</th> <th>Detect (m)</th> <th>Observe (m)</th> <th>Recognize (m)</th> <th>Identify (m)</th> </tr> </thead> <tbody> <tr> <td>2.8</td> <td>63.0</td> <td>25.2</td> <td>12.6</td> <td>6.3</td> </tr> </tbody> </table>	Lens (mm)	Detect (m)	Observe (m)	Recognize (m)	Identify (m)	2.8	63.0	25.2	12.6	6.3
	Lens (mm)	Detect (m)	Observe (m)	Recognize (m)	Identify (m)						
2.8	63.0	25.2	12.6	6.3							
Angle of view(H)	105.6°										
Angle of View (V)	69.9°										
Angle of View (O)	137.3°										
Adjustment angle	<table border="1"> <tr> <td>Pan: 0° ~ 360°</td> <td>Tilt: 0° ~ 80°</td> <td>Rotate: 0° ~ 360°</td> </tr> </table>	Pan: 0° ~ 360°	Tilt: 0° ~ 80°	Rotate: 0° ~ 360°							
Pan: 0° ~ 360°	Tilt: 0° ~ 80°	Rotate: 0° ~ 360°									
Shutter	Auto/Manual, 1 ~ 1/100000s										
Minimum Illumination	Colour: 0.01Lux (F2.0, AGC ON) 0Lux with IR on										
Day/Night	IR-cut filter with auto switch (ICR)										
Digital noise reduction	2D/3D DNR										
S/N	>56dB										
IR Range	Up to 30m (98ft) IR range										
Wavelength	850nm										
IR On/Off Control	Auto/Manual										
Defog	Digital Defog										
WDR	120dB										
Video											
Video Compression	Ultra 265, H.265, H.264, MJPEG										
H.264 code profile	Baseline profile, Main Profile										
Frame Rate	Main Stream: 5MP (2592*1944), Max 25fps; 4MP (2560*1440), Max 30fps; 3MP (2304*1296), Max 30fps; 1080P (1920*1080), Max 30fps; Sub Stream: 720P (1280*720), Max 25fps; Third Stream: 4CIF (704*576), Max 25fps										
Video Bit Rate	128 Kbps~16 Mbps										
OSD	Up to 4 OSDs										
Privacy Mask	Up to 4 areas										
ROI	Up to 4 areas										
Motion Detection	Up to 4 areas										

Image	
White Balance	Auto/Outdoor/Fine Tune/Sodium Lamp/Locked/Auto2
Digital noise reduction	2D/3D DNR
Smart IR	Support
Flip	Normal/Vertical/Horizontal/180°
Dewarping	NA
HLC	Supported
BLC	Supported
Audio	
Audio Compression	G.711
Suppression	Supported
Sampling Rate	8KHZ
Storage	
Edge Storage	Micro SD, up to 128 GB
Network Storage	ANR
Network	
Protocols	IPv4, IGMP, ICMP, ARP, TCP, UDP, DHCP, RTP, RTSP, RTCP, DNS, DDNS, NTP, FTP, UPnP, HTTP, HTTPS, SMTP, SSL
Compatible Integration	ONVIF (Profile S, Profile T), API
Client	EZStation EZView EZLive
Web Browser	Plug-in required live view: IE9+, Chrome 41 and below, Firefox 52 and below
	Plug-in free live view: Chrome 57.0+, Firefox 58.0+, Edge 16+, Safari 11+
Interface	
Network	1 RJ45 10M/100M Base-TX Ethernet
Built-in Mic	Supported
Certifications	
Certifications	CE: EN 60950-1 UL: UL60950-1 FCC: FCC Part 15
General	
Power	DC 12V±25%, PoE (IEEE 802.3af)
	Power consumption: Max 5.5W
Dimensions (Ø x H)	Φ118 x 96mm (Φ4.6" x 3.8")
Net Weight	0.33kg (0.73lb)
Material	Metal + Plastic
Operating Conditions	-30°C ~ 60°C (-22°F ~ 140°F), Humidity: ≤95% RH (non-condensing)
Storage Environment	-30°C ~ 60°C (-22°F ~ 140°F), Humidity: ≤95% RH (non-condensing)
Surge Protection	2KV
Ingress Protection	IP67

Dimensions



Accessories

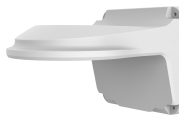
TR-JB03-I-IN



TR-JB07/WM03-G-IN



TR-WM03-D-IN



TR-UP06-IN



TR-A01-IN



TR-SE24-IN

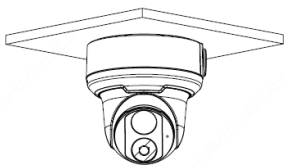
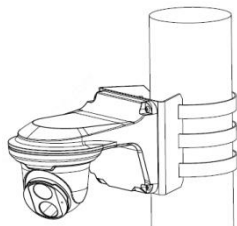


TR-SE24-A-IN



TR-CM24-IN



Junction Mount	Pole Mount
TR-JB03-I-IN	TR-JB07/WM03-G-IN(TR-WM03-D-IN)+TR-UP06-IN
	
TR-CM24-IN+TR-JB03-I-IN	

