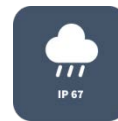
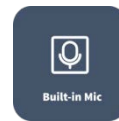


8MP HD Smart Dome Network Camera

UN-IPC3638SBADZK10



Key Features



Optics

- Day/night functionality
- Smart IR, up to 40m (131ft) IR distance
- Up to 120 dB WDR (Wide Dynamic Range)
- 2D/3D DNR (Digital Noise Reduction)

Compression

- Ultra 265, H.265, H.264, MJPEG
- ROI (Region of Interest)
- Customized OSD

Network

- ONVIF Conformance

Structure

- Wide temperature range: -30°C ~ 60°C (-22°F ~ 140°F)
- Wide voltage range of ±25%
- IP67
- IK10 vandal resistant
- 3-Axis

Specifications

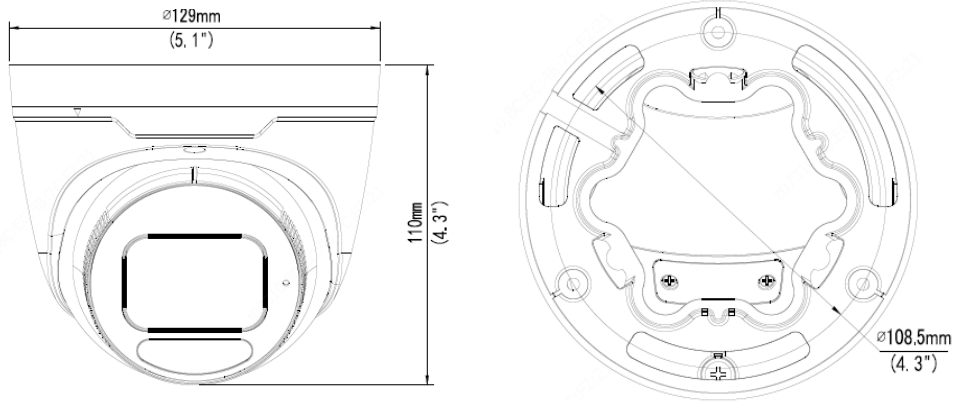
IPC3638SB-ADZK-10																
Camera																
Sensor	1/2.8", 8.0 megapixel, progressive scan, CMOS															
Lens	2.8 ~ 12mm, AF automatic focusing and motorized zoom lens															
DORI Distance	<table border="1"> <thead> <tr> <th>Lens (mm)</th> <th>Detect (m)</th> <th>Observe (m)</th> <th>Recognize (m)</th> <th>Identify (m)</th> </tr> </thead> <tbody> <tr> <td>2.8</td> <td>86.9</td> <td>34.8</td> <td>17.4</td> <td>8.7</td> </tr> <tr> <td>12</td> <td>372.4</td> <td>149.0</td> <td>74.5</td> <td>37.2</td> </tr> </tbody> </table>	Lens (mm)	Detect (m)	Observe (m)	Recognize (m)	Identify (m)	2.8	86.9	34.8	17.4	8.7	12	372.4	149.0	74.5	37.2
	Lens (mm)	Detect (m)	Observe (m)	Recognize (m)	Identify (m)											
2.8	86.9	34.8	17.4	8.7												
12	372.4	149.0	74.5	37.2												
Angle of view (H)	106.25° ~ 30.42°															
Angle of View (V)	56.36° ~ 17.22°															
Angle of View (O)	110.34° ~ 34.18°															
Adjustment angle	<table border="1"> <thead> <tr> <th>Pan: 0° ~ 360°</th> <th>Tilt: 0° ~ 90°</th> <th>Rotate: 0° ~ 360°</th> </tr> </thead> <tbody> <tr> <td></td> <td></td> <td></td> </tr> </tbody> </table>	Pan: 0° ~ 360°	Tilt: 0° ~ 90°	Rotate: 0° ~ 360°												
Pan: 0° ~ 360°	Tilt: 0° ~ 90°	Rotate: 0° ~ 360°														
Shutter	Auto/Manual, 1 ~ 1/100000s															
Minimum Illumination	Colour: 0.003Lux (F1.6, AGC ON) 0Lux with IR															
Day/Night	IR-cut filter with auto switch (ICR)															
Digital noise reduction	2D/3D DNR															
S/N	>56dB															
IR Range	Up to 40m (131ft) IR range															
Wavelength	850nm															
IR On/Off Control	Auto/Manual															
Defog	Digital Defog															
WDR	120dB															
Video																
Video Compression	Ultra 265,H.265, H.264, MJPEG															
H.264 code profile	Baseline profile, Main Profile															
Frame Rate	Main Stream: 8MP (3840*2160), Max 20fps;5MP (3072*1728), Max 25fps; 4MP (2560*1440), Max25fps; 1080P (1920*1080), Max 30fps; Sub Stream:D1(720*576), Max 30fps; Third Stream: CIF (352*288), Max 30fps;															
Video Bit Rate	128 Kbps~16 Mbps															
OSD	Up to 8 OSDs															
Privacy Mask	Up to 4 areas															
ROI	Up to 8 areas															

Motion Detection	Up to 4 areas
Image	
White Balance	Auto/Outdoor/Fine Tune/Sodium Lamp/Locked/Auto2
Digital noise reduction	2D/3D DNR
Smart IR	Support
Flip	Normal/Vertical/Horizontal/180°/90°Clockwise/90°Anti-clockwise
Dewarping	Supported
HLC	Supported
BLC	Supported
Audio	
Audio Compression	G.711
Suppression	Supported
Sampling Rate	8KHZ
Storage	
Edge Storage	Micro SD, up to 256GB
Network Storage	ANR
Smart	
Behavior Detection	Line crossing detection, Intrusion detection, Region entrance detection, Region exit detection ;Motion detection, Tampering alarm, Audio Detection
Network	
Protocols	IPv4, IGMP, ICMP, ARP, TCP, UDP, DHCP, RTP, RTSP, RTCP, DNS, DDNS, NTP, FTP, UPnP, HTTP, HTTPS, SMTP, SSL
Compatible Integration	ONVIF (Profile S, Profile G, Profile T), API
Client	EZStation EZView EZLive
Web Browser	Plug-in required live view: IE9+, Chrome 41 and below, Firefox 52 and below
	Plug-in free live view: Chrome 57.0+, Firefox 58.0+, Edge 16+, Safari 11+
Interface	
Built-in Mic	Supported
Network	1 RJ45 10M/100M Base-TX Ethernet
Certifications	
Certifications	CE: EN 60950-1 UL: UL60950-1 FCC: FCC Part 15
General	
Power	DC 12V±25%, PoE (IEEE 802.3af)
	Power consumption: Max 8.16W
Dimensions (Ø x H)	Φ129 x 110mm (Ø5.1" x 4.3")
Net Weight	0.67kg (1.48lb)
Material	Metal
Working Environment	-30°C ~ 60°C (-22°F ~ 140°F), Humidity: ≤95% RH (non-condensing)
Storage Environment	-30°C ~ 60°C (-22°F ~ 140°F), Humidity: ≤95% RH (non-condensing)
Surge Protection	6KV
Ingress Protection	IP67
vandal resistant	IK10

Reset Button

Supported

Dimensions



Accessories

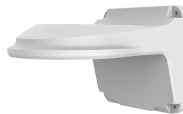
TR-JB03-H-IN



TR-JB07/WM03-F-IN



TR-WM03-B-IN



TR-UP06-IN



TR-A01-IN



TR-SE24-IN



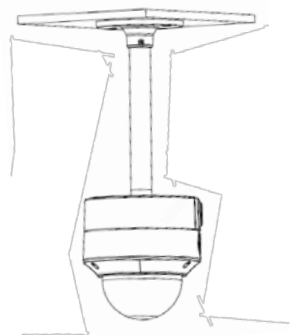
TR-SE24-A-IN



TR-CM24-IN



Junction Mount	Pole Mount
TR-JB03-H-IN	TR-JB07/WM03-F-IN(TR-WM03-B-IN)+TR-UP06-IN
TR-CM24-IN+TR-JB03-H-IN	

**Zhejiang Uniview Technologies Co., Ltd.**

Building No.10, Wanlun Science Park, Jiangling Road 88, Binjiang District, Hangzhou, Zhejiang, China (310051)

Email: overseasbusiness@uniview.com; globalsupport@uniview.com

<http://www.uniview.com>

©2020 Zhejiang Uniview Technologies Co., Ltd. All rights reserved.

*Product specifications and availability are subject to change without notice.